



CDC®
MATRIX PRINTER EQUIPMENT
CT104A-B-C-D-E

INTRODUCTION
ASSEMBLY PARTS LISTS
PRINTED CIRCUIT BOARDS

PARTS IDENTIFICATION MANUAL

95445027



CDC[®]
MATRIX PRINTER EQUIPMENT
CT10

INTRODUCTION
ASSEMBLY PARTS LISTS
PRINTED CIRCUIT BOARDS

PARTS IDENTIFICATION MANUAL

REVISION RECORD

REVISION	DESCRIPTION
A 4-77	Initial release of the CDC 70/125 LPM Matrix Printer
B 7-77	To incorporate editorial comments & update parts list.
C 10-77	To Incorporate ECO's: PH14582-Format tape PH14616 & PH14697-Print head structure, LH side panel & Brkts PH14629- RH Format Plate. PH14632-Add TLA 95453001 PH14633-Power cord PH14679-FCO & Forms feed label. PH14762-IC pin sockets PH14816-Rear Brg. Support shaft PH14845-Add curved washer to tractors. PH14849-Add acoustical foam to upper cabinet PH14871-Add plug plate PH14883-Add logo PH14910-Worm gear cover.
D 1-78	To Incorporate ECO's: PH14844, PH14869, PH14904, -LH Code Brkt, Bottom Plate, Wave Washer., PH14897-Prom Set., PH14911-Upper Cabinet Lock., PH14939-Format Tape Guide., PH14948-Control Panel., PH15001-Replaceable Head., PH15099-Front Shield, PH15093-Caution Label.
E 1-78	To incorporate comments
F 4-78	To incorporate ECO's: PH15083-Prevent intermitten triple space when in double space. PH15109-Correct Apl's. PH15219-Add voltage cable. PH15283-Intel prog port 4 option. PH15308-Safety Screen. PH15162-Paper basket PH15201 PH15203, Panel LH. Code brkt L. H. and bottom plate. PH15074-Brkt shaft alignment.
G 7-78	To incorporate ECO's: PH15169-EVFU Spring, PH15311-Waring label, PH15353-Power Supply, PH15375-Add TLA, PH15381-Platen Brkt, PH15413-Needle driver PCB & VDE Fuse Harn.
I 10-78	To Incorporate ECO's: PH15139- Controller & Head Logic PCB, PH15437-Servo Mtr brkt & LH format plate, PH15483- Control panel single space lens, PH15492- VDE Label, PH15494-XFMR Label, PH15535-Pwr Supply, PH15540-color chg, PH15544-Adj timing drive pulley, PH15556-Print head structure, PH15562-Rod support, PH15568-Rom Set, PH15570- Needle drivers, PH15578-Char Prom, PH15592-Switch arm., PH15611-Reverse channel, PH15615-EVFU Spec adj & spring, PH15640-Lower blower shield, PH15650- Vertical transducer.
J 1-79	To incorporate ECO's PH15648 Spring Extension, PH15677, Paper Basket PH15689 Horizontal Transducer, PH15778 Controller Head Logic, PH15792 Needle Driver.
K 4-79	To Incorporate ECO's: PH15770-Paper Slide Bracket, PH15779-Air duct, PH15815-Paper Feed, PH15874-Brushblock, PH15885-Rod support.
L 7-79	To Incorporate ECO's: PH15940-Controller head logic PCB, PH15997-Format tape guide, PH16017- Platen Assy, PH16049-front paper shroud.
M 10-79	To incorporate ECO's: PH16247-Upper & Side cover assy.
N 1-80	To incorporate ECO's: PH16004- PCB's (auto insertion), PH16327- Cable Clamp, PH16385- TLA 95453006, PH16420- Chg. Rom.
PUBLICATION NO. 95445027	CONTINUED

REVISION RECORD

REVISION	DESCRIPTION
<p>O 4-80</p> <p>P 7-80</p> <p>Q 10-80</p> <p>R 1-81</p> <p>S 4-81</p> <p>T 7-81</p> <p>U 10-81</p>	<p>To incorporate ECO'S: PH16529-Pwr cord receptacle , PH16555- Extension spring, PH16577-Code strip Bracket R. H.</p> <p>To incorporate ECO'S: PH16408- Bracket -Code strip RH. PH16685- Control panel lamp.</p> <p>To incorporate ECO's: PH16466- Dip Switch, PH16550-Revise roll pin, PH16591-Chg. pulley's to eleaviate cracking, PH16631-Chg. timing belts, PH16638-Second source barrier terminal block, PH16676-Revise jumper (term. block), PH16712-Improve pulley cover (VDE/IEC), PH16734- Revise Platen assy, PH16906-Chg. cap 6.8 50V on pwr sup assy, EECO PH17000-Code strip brkt RH.</p> <p>To incorporate ECO : PH17040 -Chg. vert. trans. Brkt (to eliminate interference to format plate).</p> <p>To incorporate ECO: PH 17015-Rivet lever (tractor assy's)</p> <p>To incorporate ECO's: PH17349-Retainer (knob), PH17357-Add Fcc label.</p> <p>To incorporate ECO: PH17267 (N/A), PH17439- Release pwr. L.D. label. PH17821- Cap. replacement (pwr. supply).</p>

PUBLICATION NO.
95445027

PREFACE

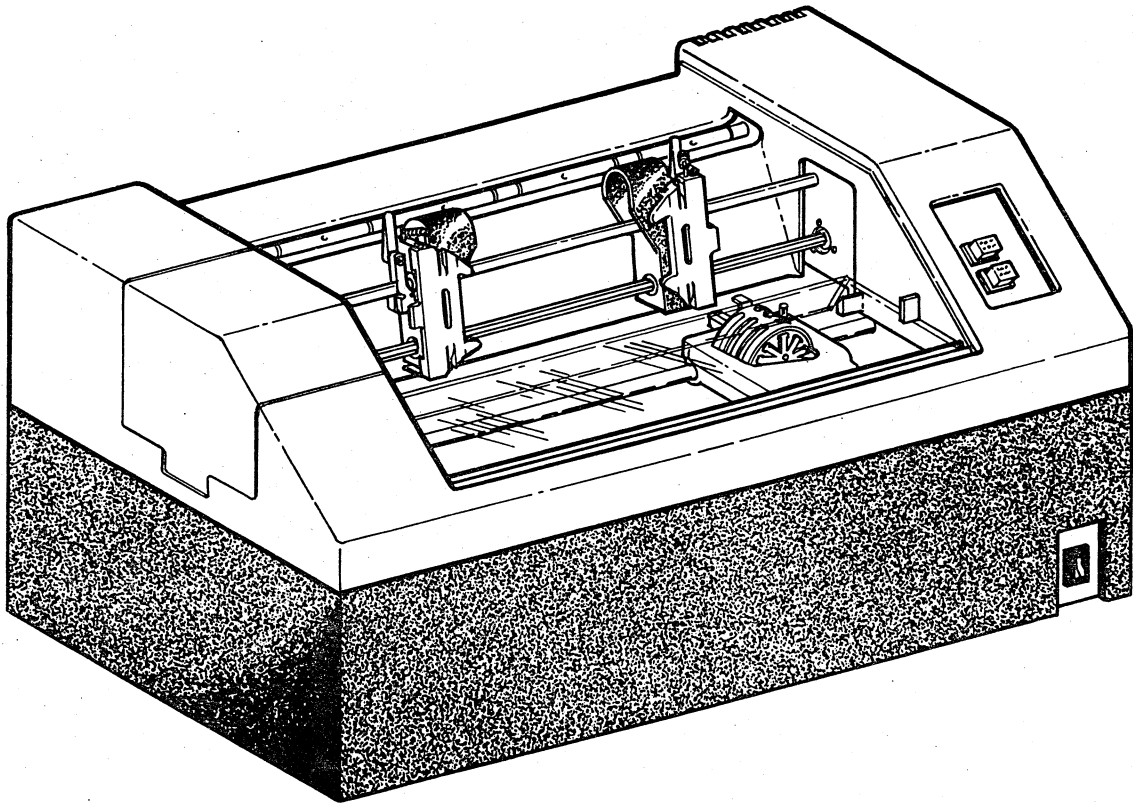
This publication contains parts identification information for
maintaining the CDC 70/125 LPM Matrix Printer

Field Service Manual and Training Manual (Publication No. 95445028.)

CDC

CONTENTS

<u>Section</u>	<u>Title</u>	<u>Page</u>
I	INTRODUCTION	1-1
II	ASSEMBLY PARTS LISTS	2-1
III	PRINTED CIRCUIT BOARDS	3-1
IV	SPECIAL OPTIONS	4-1
V	CDC UNIQUE ASSEMBLIES	5-1
	PRINTER TOP LEVEL ASSEMBLY	5-3
	SKINNING	5-15
	INTERFACE CABLE ASSEMBLY	5-18
	REMOTE LED DISPLAY OPTION	5-19
	I/O INTERFACE BUFFERED ASSEMBLY	5-20



CDC 70/125 Matrix Printer

SECTION I INTRODUCTION

GENERAL

This parts manual provides information for the 70/125 LPM Matrix Printer. For Printer Top Level Assembly see Section 5 of this manual.

DEFINITION OF TERMS

- REF NUM** (A) The reference number is the assembly part number. This number is shown at the top of each page to establish the numerical arrangement of assembly parts lists within the section.
- REV** (B) The revision letter is an indication of the revision status of the source data of the assembly parts list.
- TITLE** (C) The title description is the assembly nomenclature.
- FIND NUM** (D) The find number column identifies the parts that make up the REF NUM assembly. These same numbers are used on the accompanying illustrations to help the reader determine where the part is used on the assembly.
- U/M** (E) The unit measure describes the form that the part can be ordered in, i.e., PC, OZ, LBS, IN, FT, etc.
- PART NUM** (F) These 8-digit part numbers are used in reordering parts and are arranged in find number sequence to identify the parts that make up the REF NUM assembly.
- DESCRIPTION** (G) The part description is the part nomenclature.
- AR** (H) This abbreviation is used to indicate an as-required quantity.
- NR** This abbreviation is used to indicate none required for quantity.

50616351 GATE ASSEMBLY						
REF NUM	REV	TITLE				
50616351	C	GATE ASSY				
FND NUM	U/M	PART NUM	DESCRIPTION	NUM REQ		
002	PC	44700930	DRUM ASSY	1		
003	PC	50776400	PULLEY F. BELT	1		
004	PC	50832702	MATE ASSY	1		
005	PC	59729000	GATE CABLE	1		
007	PC	44700930	PLATE RIBBON GUIDE	1		
008	PC	92314065	BELT	1		
009	PC	50535700	CODE DISC	1		
101	PC	50533300	GATE COMMON ASSY	1		
				AR	(H)	

SECTION II

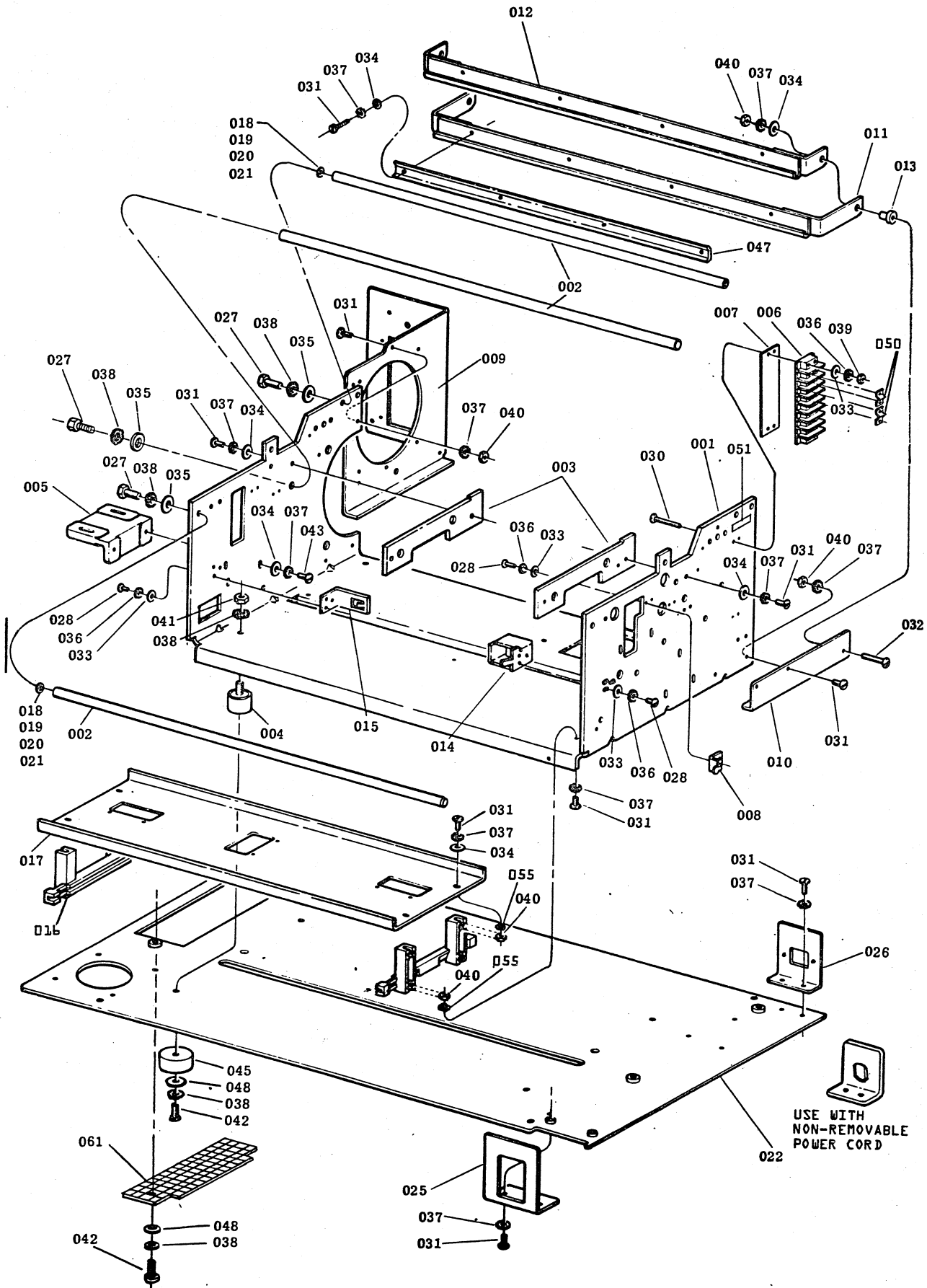
ASSEMBLY PARTS LISTS

Section Contents

<u>Title</u>	<u>Page</u>
BEARING & SHAFT ASSEMBLY	2-10
CLUTCH ASSEMBLY	2-11
CONTROL PANEL ASSEMBLY	2-32
FORMAT PLATE ASSEMBLY-LEFT HAND	2-9
HEAD MOUNT ASSEMBLY PM-70	2-13
HEAD MOUNT ASSEMBLY PM-125	2-12
HEAD SUPPORT (PULLEY ASSEMBLY)	2-14
HORIZONTAL SERVO MOTOR ASSEMBLY	2-29
MATRIX PRINTER PM-70/125	SEE NOTE BELOW
OUT OF PAPER SWITCH	2-24
PAPER FEED ASSEMBLY	2-8
PLATEN ADVANCE BRKT. ASSY-LEFT HAND	2-20
PLATEN ADVANCE BRKT. ASSY-RIGHT HAND	2-21
PLATEN ADVANCE SHAFT ASSEMBLY	2-22
PRINTER ASSEMBLY	2-26
PRINT HEAD STRUCTURE	2-2
PRINT HEAD SUPPORT & BEARING	2-15
PRINTER MECHANICAL ASSEMBLY	2-4
PRINTER MECHANICAL-SUB ASSEMBLY	2-16
PULLEY ASSEMBLY-RIGHT HAND	2-18
PULLEY ASSEMBLY-LEFT HAND	2-19
SKINNING ASSEMBLY	SEE NOTE BELOW
SLIDE & SWITCH ASSEMBLY	2-23
TRACTOR ASSEMBLY-LEFT HAND	2-6
TRACTOR ASSEMBLY-RIGHT HAND	2-7
TRANSFORMER & BRACKET ASSEMBLY	2-28
VERTICAL SERVO MOTOR ASSEMBLY	2-31

NOTE: FOR PRINTER TOP LEVEL ASSEMBLY SEE PAGE 5-1.
FOR SKINNING ASSEMBLY SEE PAGE 5-1.
FOR SPECIAL OPTIONS SEE PAGE 4-1.

44672093 PRINTHEAD STRUCTURE ASSEMBLY

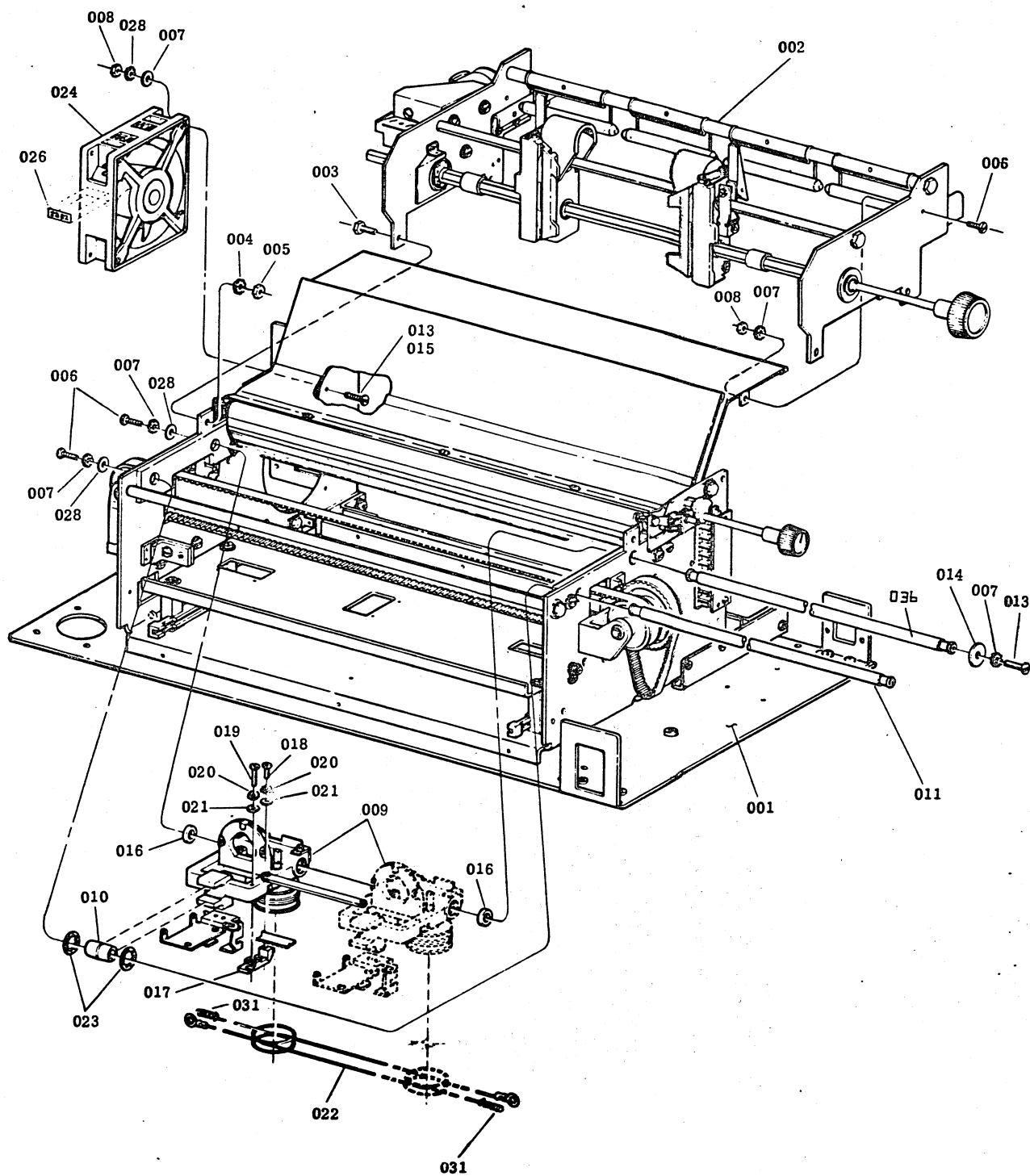


44672093 PRINTHEAD STRUCTURE ASSEMBLY

		REF NUM	REV	TITLE		
		44672093	F	CZ PRINT HEAD STRUCTURE		
FND NUM	U/M	PART NUM	DESCRIPTION		NUM REQ	
001	PC	44676998	STRUCTURE PRINT HD		1	
002	PC	44671238	ROD SUPPORT		3	
003	PC	44675535	BRACKET SHAFT ALIGNMENT		2	
004	PC	76624700	SHOCK MOUNTING		4	
005	PC	44671145	BRACKET SUPPORT		1	
006	PC	44682776	BARRIER TERM BLOCK		1	
007	PC	93106108	MARKER STRIP		2	
008	PC	44671225	BRACKET CAS DR SPRING AN		4	
009	PC	44675947	PANEL LEFT SIDE		1	
010	PC	44671146	BRACKET BOARD SUPPORT		1	
011	PC	44671391	BRACKET P.C. BOARD		1	
012	PC	44671392	BRACKET P.C. BOARD		1	
013	PC	44671390	PIN PIVOT		2	
014	PC	44681981	BRACKET CODE STRIP R.H.		1	
015	PC	44681475	BRACKET CODE L.H.		1	
016	PC	44673337	SUPPORT NEEDLE DRIVER BD		2	
017	PC	44671431	PLATE FRONT		1	
018	PC	95529002	SPACER-BEARING .005		AR	
019	PC	95529004	SPACER-BEARING .010		AR	
020	PC	95529007	SPACER-BEARING .001		AR	
021	PC	95529008	SPACER-BEARING .002		AR	
022	PC	44675731	PLATE BOTTOM		1	
023	IN	94237703	SAFETY TRIM		30	
025	PC	44673452	BRACKET SWITCH		1	
026	PC	44673552	BRACKET LINE CORD		1	SEE NOTE
027	PC	76590127	SCR MCH HEX HD M6X1X16		6	
028	PC	76590031	SCR MCH CHS SLT M3X0.5X6		12	
029	PC	76590032	SCR MCH CHS SLT M3X0.5X8		8	
030	PC	76590041	SCREW MCH CHS SLT M3X30		2	
031	PC	76590047	SCR MCH CHS SLT M4X0.7X1		26	
032	PC	76590114	SCR-MCH CHS SLT M4X0.7 X		2	
033	PC	76590404	WSHR FLT METRIC M3-3.2 I		17	
034	PC	76590406	WSHR FLT METRIC M4-4.3 I		12	
035	PC	76590408	WSHR FLT METRIC M6-6.4 I		4	
036	PC	76590504	WSHR EXT LK METRIC M3-3.		17	
037	PC	76590506	WSHR EXT LK METRIC M4-4.		32	
038	PC	76590508	WSHR EXT LK METRIC M6-6.		16	
039	PC	76590201	NUT-HEX M3X0.5		5	
040	PC	76590204	NUT-HEX M4X0.7		16	
041	PC	76590206	NUT-HEX M6x1		4	
042	PC	76590078	SCR MCH CHS SLT M6X1X14		6	
043	PC	76590111	SCR MCH HEX HD M4X0.7X10		2	
045	PC	76624800	RUBBER FOOT		4	
047	PC	44671594	WASHER STRIP		2	
048	PC	76590468	WASHER FLT METRIC		6	
050	PC	95314103	JUMPER TERM BLOCK		2	
051	PC	94830609	STICKER SYMBOLIZER		1	
053	PC	95343002	ADHESIVE, CLEAR		AR	
054	PC	76590033	SCR MCH CHS SLT M3X0.5X10		3	
055	PC	95331102	WSHR CURVED		8	
061	PC	44677510	SHIELD BLOWER		1	

NOTE: UNITS WITH NON-REMOVABLE POWER CORD
USE 44673453 BRACKET-LINE CORD.

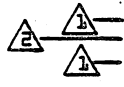
44671684 PRINTER MECHANICAL ASSEMBLY





44671684 PRINTER MECHANICAL ASSEMBLY

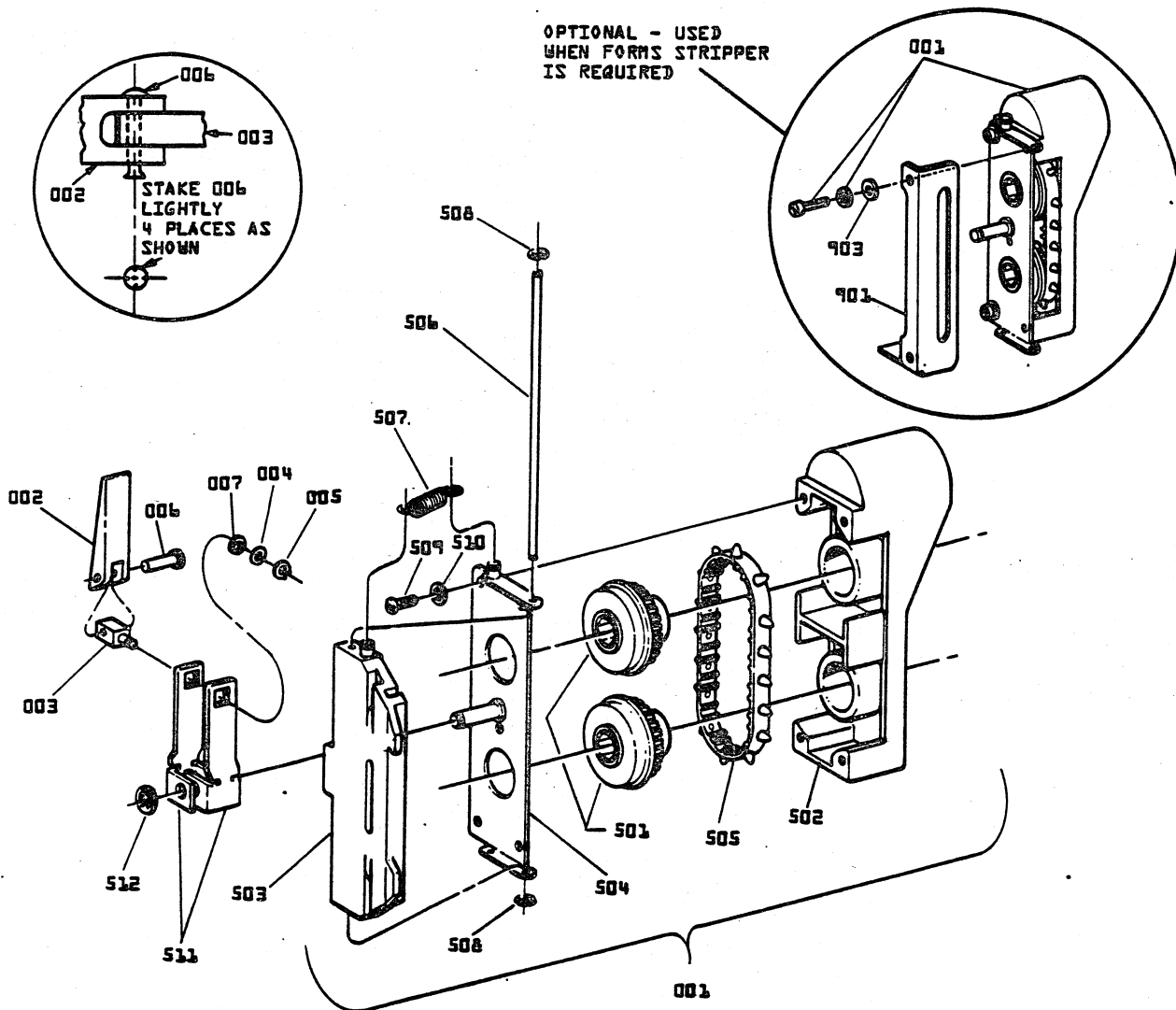
REF NUM REV TITLE
 44671684 A CZ PRTR MECH ASSY PM-70
 44671682 A CZ PRINTER MECH ASSY PM-125

FND NUM	U/M	PART NUM	DESCRIPTION	NUM REQ
001	PC	44671599	CZ PRTR MECHANICAL SUB	1
002	PC	44671633	CZ PAPER FEED ASSY	1
003	PC	76598127	SCR NCH HEX HD M6X1X16	4
004	PC	76598588	WSHR EXT LK METRIC M6-6.	8
005	PC	76598206	NUT-HEX M6X1	4
006	PC	76598867	SCR NCH CHS SLT M4X0.7X1	4
007	PC	76598586	WSHR EXT LK METRIC M6-6.	10
008	PC	76598206	NUT-HEX M6X0.7	6
009	PC	44671658	CZ HEAD MOUNT ASSY PM-70	1 (PM 70)
009	PC	44675612	REMOV. HD SUPP-PUL ASSY	1 (PM 70)
009	PC	44671651	CZ HEAD MOUNT ASSY PM-125	2 (PM 125)
010	PC	44672387	BEARINGS-HD SUPPORT REAR	1
011	PC	44671568	SHAFT-HEAD SUPPORT	1
013	PC	76598868	SCR NCH CHS SLT M4X0.7X1	3
014	PC	44671629	WASHER HD.SUP. SHAFT	1
015	PC	99125386	LOCTITE	AR
016	PC	44672404	STOP-HEAD BRACKET	2
017	PC	44671219	BELT RETAINER	1
018	PC	76598834	SCR NCH CHS SLT M3X0.5X1	1
019	PC	76598040	SCR NCH CHS SLT M3X0.5X2.5	1
020	PC	76598584	WSHR EXT LK METRIC M3-3.	2
021	PC	76598684	WSHR FLT METRIC M3-3.2 I	2
022	PC	44671423	CORD ASSY PM 70	2
022	PC	44671424	CORD ASSY PM 125	2
023	PC	92833179	RETAINING RING	2
024	PC	8862881	FAN	1
026	PC	99318229	STICKER 2982	1
028	PC	76598486	WSHR FLT METRIC M4-4.3 I	6
027	PC	59556706	LUBRICANT-SHELL ALVANIA	AR
031	PC	44676941	SPRING EXTENSION	2
034	PC	76598050	SCR NCH CHS SLT M4X0.7X1.6	4
035	PC	72602003	CLAMP	1
036	PC	44674693	SHAFT-REAR BRG SUPPORT	1



 WITHOUT HEAD CLAMP LEVERS
 WITH HEAD CLAMP LEVERS

44672189 TRACTOR ASSEMBLY-LEFT HAND

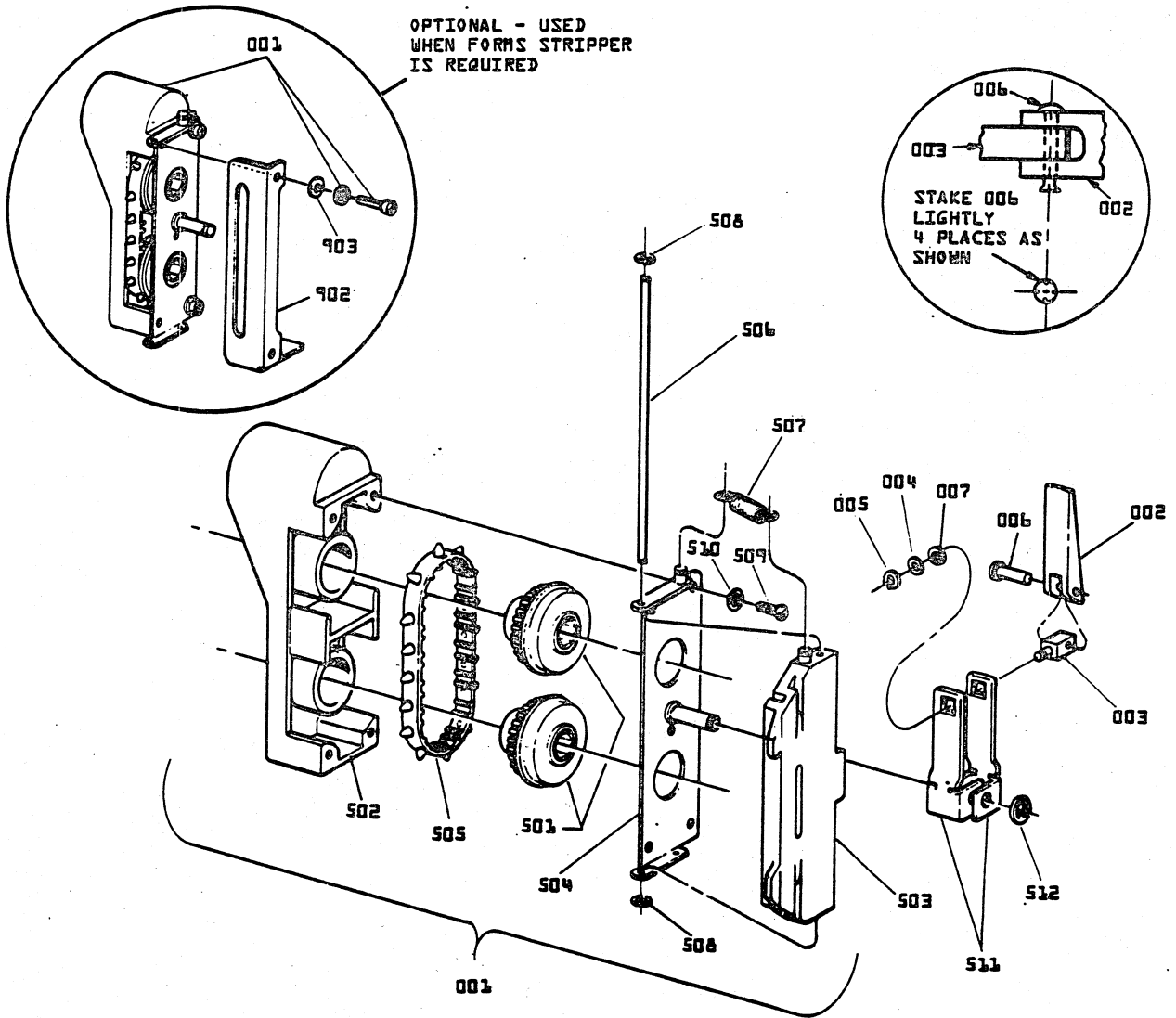


REF NUM 44672189 REV A TITLE CZ TRACTOR ASSY LH

FND NUN	U/M	PART NUN	DESCRIPTION	NUN REQ
001	PC	44683721	TRACTOR ASSY L.H.	1
501	PC	76607300	PULLEY DRIVE	2
502	PC	76607400	BODY TRACTOR	1
503	PC	44671735	BODY COVER ASSY L.H.	1
504	PC	44671287	BODY BRKT ASSY LH.	1
505	PC	44682996	BELT TIMING ASSY	1
506	PC	76614100	PIN HINGE	1
507	PC	94815100	SPRING	1
508	PC	76590604	RETAINING RING METRIC 2.	2
509	PC	76590047	SCR RCH CHS SLT M4X0.7 x 1	4
510	PC	76590526	WSHR INTL LK METRIC M4-4	4
511	PC	95366000	ARM-CLAMP	2
512	PC	76590606	RETAINING RING METRIC 4	1
002	PC	44685088	LEVER CLAMP	1
003	PC	44671549	STUD CLAMP	1
004	PC	76590408	WSHR FLT METRIC M6-6.4 I	1
005	PC	76590606	RETAINING RING METRIC 4	1
006	PC	44685054	RIVET SENT TUBULAR OVAL HD	1
007	PC	95331101	WASHER CURVED	AR
901	PC	44685274	GUIDE L.H.	1
903	PC	76590406	WASHER FLAT	2

OPTIONAL PARTS USED WHEN FORM STRIPPER IS REQUIRED

44672190 TRACTOR ASSEMBLY-RIGHT HAND



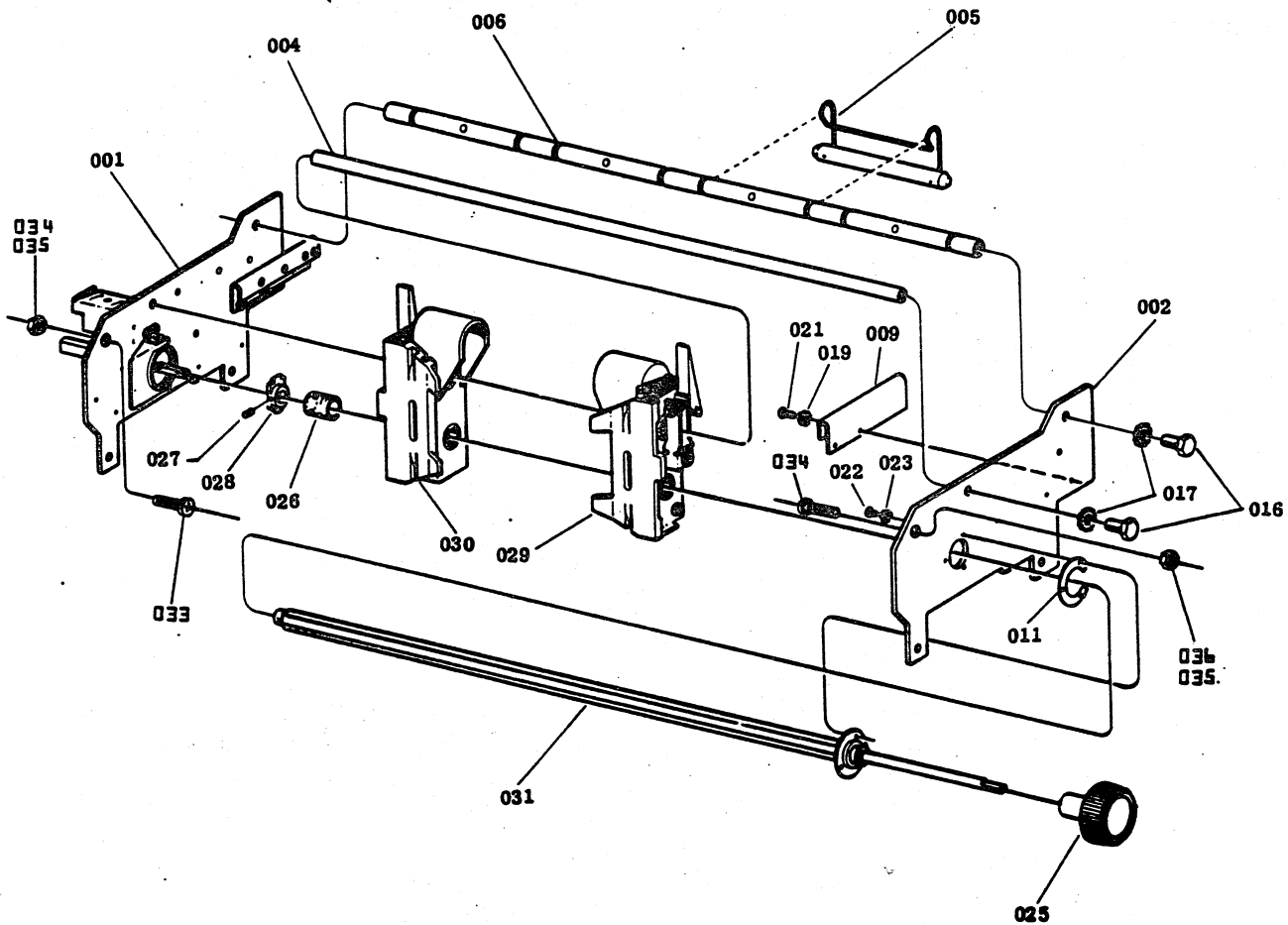
REF NUM 44672190 REV C TITLE CZ TRACTOR ASSY RH

FND NUM	U/R	PART NUM	DESCRIPTION	NUM REQ
001	PC	44683722	TRACTOR ASSY R.H.	1
501	PC	76607300	PULLEY DRIVE	2
502	PC	76607400	BODY-TRACTOR	1
503	PC	44671736	BODY COVER ASSY R.H.	1
504	PC	44671288	BODY BRKT ASSY R.H.	1
505	PC	44682796	BELT TIMING ASSY	1
506	PC	76614100	PIN-HINGE	1
507	PC	94815100	SPRING	1
508	PC	76590604	RETAINING RING METRIC 2.	2
509	PC	76590047	SCR MCH CHS SLT M4X0.7X1	4
510	PC	76590526	WSHR INTL LK METRIC M4-4	4
511	PC	95366000	ARM-CLAMP	2
512	PC	76590606	RETAINING RING METRIC 4	2
002	PC	44685088	LEVER CLAMP	1
003	PC	44671547	STUD CLAMP	1
004	PC	76590408	WSHR FLT METRIC M6-6.4 I	1
005	PC	76590606	RETAINING RING METRIC 4	1
006	PC	44685054	RIVET-SEMI TUBULAR OVAL HD	1
007	PC	95331101	WASHER CURVED	AR
902	PC	44685273	GUIDE RH	1
903	PC	76590406	WASHER FLAT	2



OPTIONAL PARTS USED WHEN FORM STRIPPER IS REQUIRED

44675533 PAPER FEED ASSEMBLY

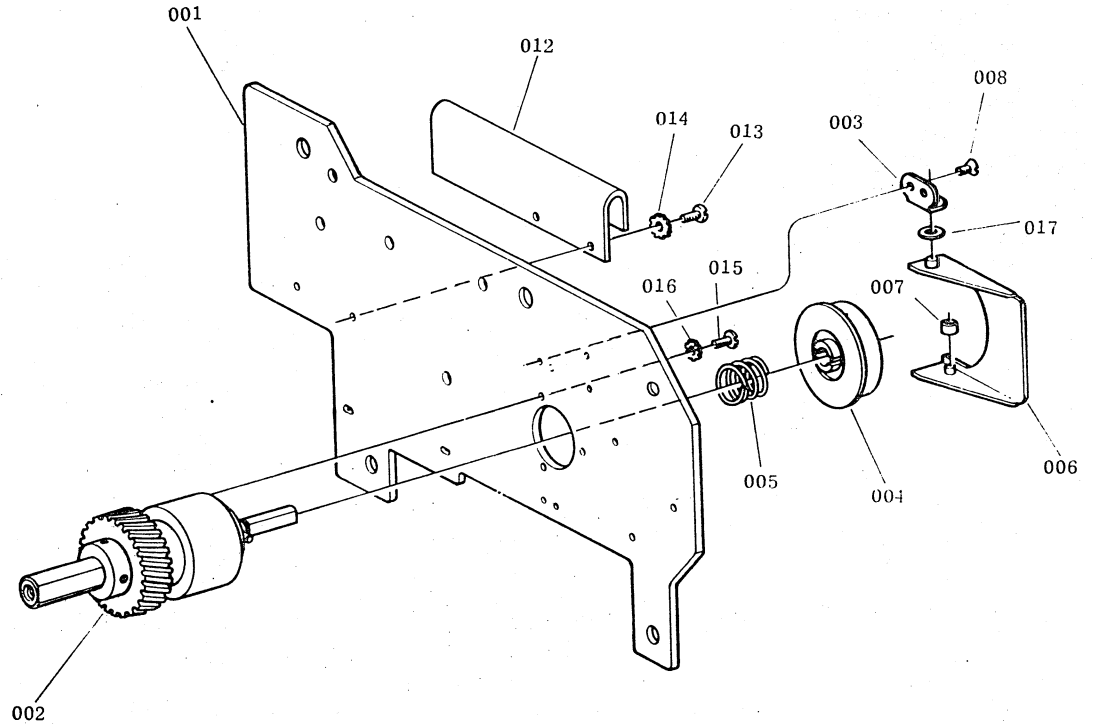


REF NUM REV TITLE
 44675533 D CZ PAPER FEED ASSY

FND NUM	U/M	PART NUM	DESCRIPTION	NUM REQ
001	PC	44675532	FORMAT PLATE ASSY L.H.	1
002	PC	44675530	FORMAT PLATE R.H.	1
004	PC	76594100	SHAFT	1
005	PC	76629300	WEIGHT-PAPER TENSIONER	4
006	PC	76649001	SHAFT PAPER	1
009	PC	44671270	BRKT-BOARD LATCH R.H.	1
011	PC	76649500	SPACER-HOUSING	5
014	LB	94813900	LITHIUM GREASE	AR
016	PC	76590134	SCR HCH HEX HD M8 X 1.25	4
017	PC	76590530	WASHER INT LK METRIC M8-8	4
019	PC	76590506	WSHR EXT LK METRIC M4-4.	2
021	PC	76590045	SCR HCH CHS SLT M4X0.7X6	2
022	PC	76590032	SCR HCH CHS SLT M3X0.5X8	3
023	PC	76590504	WSHR EXT LK METRIC M3-3.	3
025	PC	44685587	KNOB	1
026	PC	95370101	SPACER-TRACTOR	1
027	PC	76649115	SCR SET SKT CUP PT M3X0.	1
028	PC	76593100	HUB-CLUTCH	1
029	PC	44672190	TRACTOR ASSY R H	1
030	PC	44672189	TRACTOR ASSY L.H.	1
031	PC	44672219	BEARING + SHAFT ASSY	1
032	PC	95370201	OIL-LUBRICATING	AR
034	PC	76590050	SCR HCH CHS SLT M4X 0.7 X16	2
035	PC	44675785	NUT HEX M4X0.7 SELF LKG.	2
036	OZ	95125306	LOCTITE	AR

NOTE: F/N 35 NUT WITH LOCTITE F/N 36 TO BE FLUSH WITH END OF F/N 34 SCREW. SCREW HEAD TO BOTTOM OUT ON PLATES.

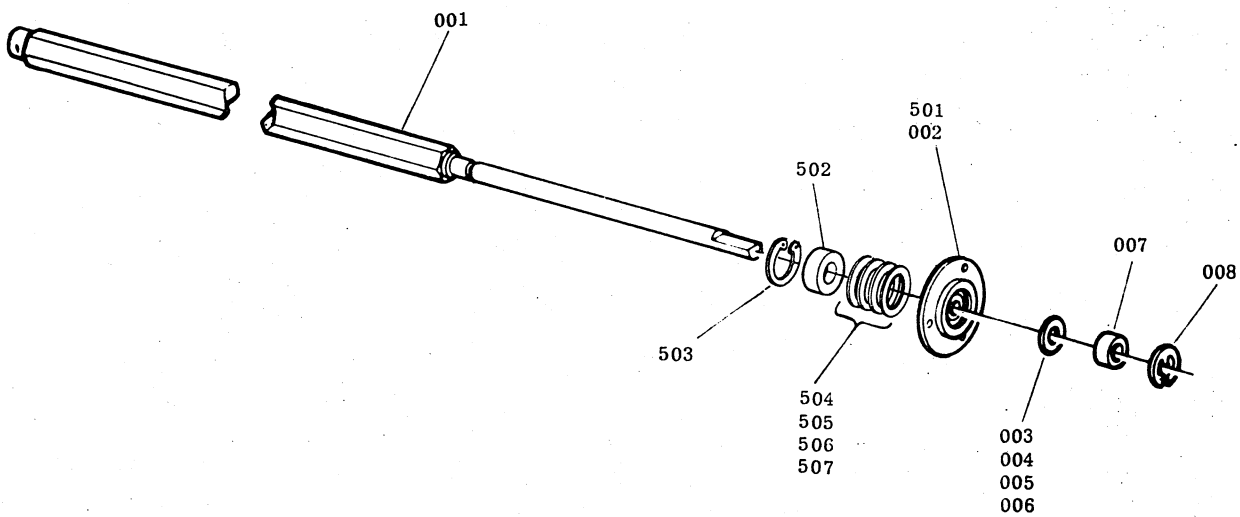
44675532 FORMAT PLATE ASSEMBLY LEFT HAND



REF NUM REV TITLE
44675532 02 CZ FORMAT PLATE ASSY L.H

FND NUM	U/M	PART NUM	DESCRIPTION	NUM REQ
001	PC	44676834	FORMAT PLATE L.H.	1
002	PC	44671635	CLUTCH ASSY	1
003	PC	76595800	BRACKET-CLUTCH	2
004	PC	76592900	GEAR-CLUTCH	1
005	PC	76594500	SPRING-LEVER CLUTCH	1
006	PC	76596600	LEVER CLUTCH	1
007	PC	76595900	ROLL-SPACER	2
008	PC	76590310	SCR MCH FLT SLT M3X0.5X6	4
009	PC	95370201	OIL-LUBRICATING	AR
010	PC	59556706	LUBRICANT-SHELL ALVANIA	AR
012	PC	44671279	BRK#T BOARD LATCH L.H.	1
013	PC	76590047	SCR MCH CHS SLT M4X0.7X1	2
014	PC	76590506	WSHR EXT LK METRIC M4-4.	2
015	PC	76590032	SCR MCH CHS SLT M3X0.5X8	3
016	PC	76590504	WSHR EXT LK METRIC M3-3.	3
017	PC	76597200	SPACER-PLASTIC	2

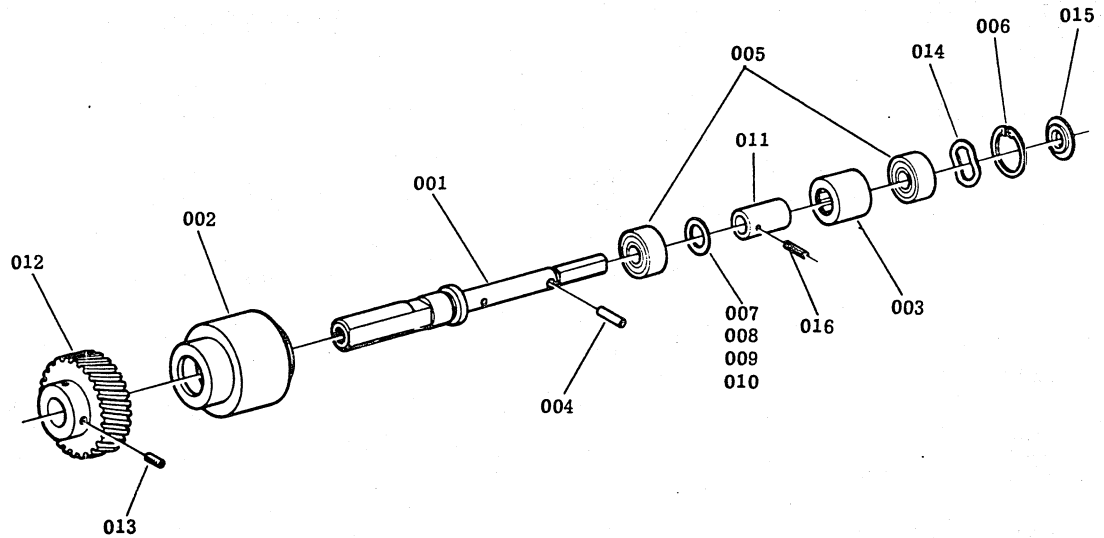
44672219 BEARING SHAFT ASSEMBLY



REF NUM REV TITLE
 44672219 01 BEARING + SHAFT ASSY

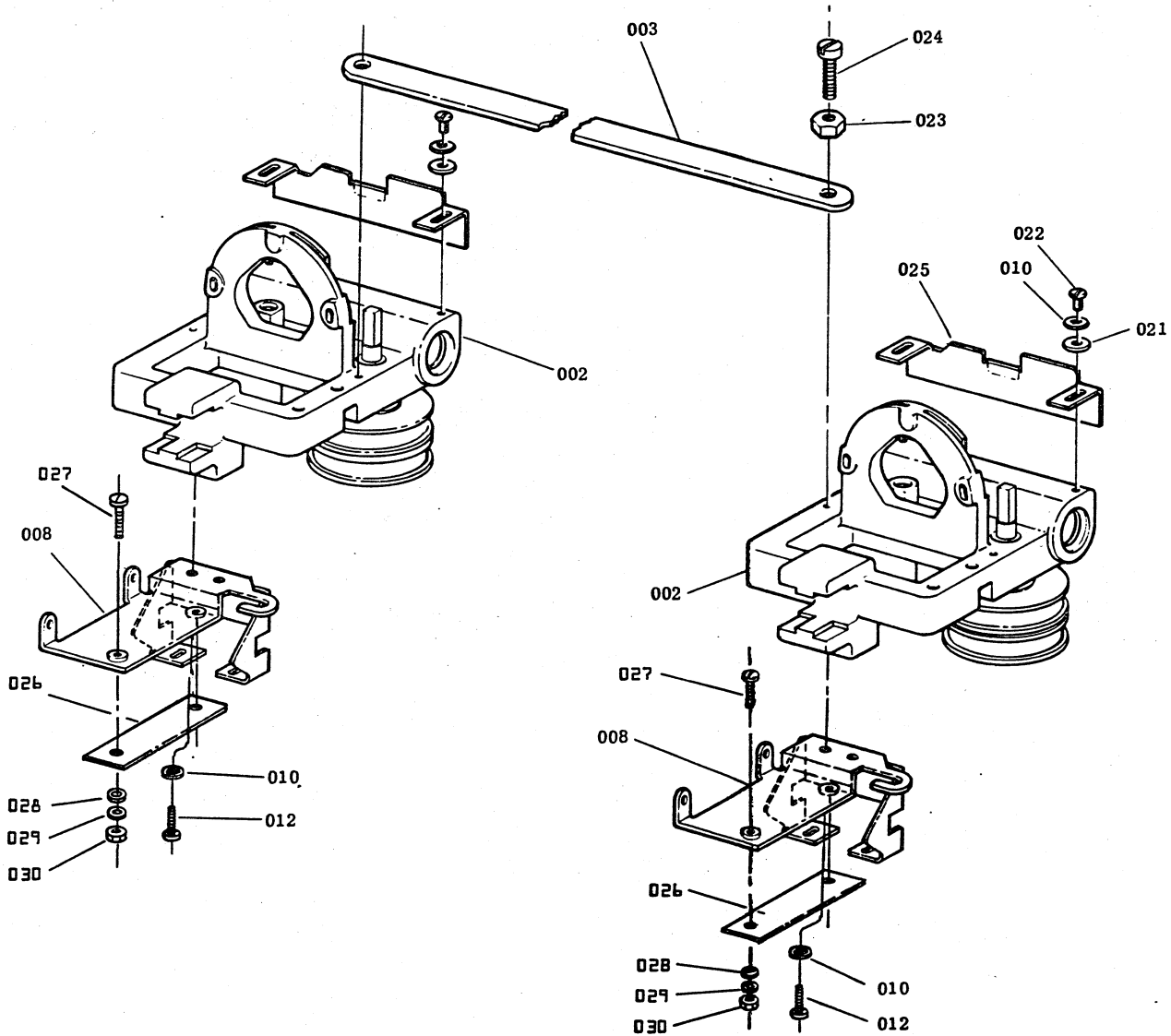
FND NUM	U/M	PART NUM	DESCRIPTION	NUM REQ
001	PC	44672136	SHAFT ASSY	1
002	PC	76591800	BEARING + HOUSING ASSY	1
501	PC	76587200	HOUSING BEARING RH	1
502	PC	92054111	BEARING	1
503	PC	92033032	RING RETAINING	1
504	PC	44671180	SHIM	1
505	PC	44671181	SHIM	1
506	PC	95529027	SPACER-BEARING .007	1
507	PC	95529028	SPACER-BEARING .010	1
003	PC	95529002	SPACER-BEARING .005	1
004	PC	95529004	SPACER-BEARING .010	1
005	PC	95529007	SPACER-BEARING .001	1
006	PC	95529008	SPACER-BEARING .002	1
007	PC	76629100	SPACER	1
008	PC	76590607	RETAINING RING METRIC 5	1

44671635 CLUTCH ASSEMBLY



		REF NUM	REV	TITLE	
		44671635	B	CLUTCH ASSY	
FND NUM	U/M	PART NUM	DESCRIPTION		NUM REQ
001	PC	76584603	SHAFT		1
002	PC	76583102	HOUSING-BEARING		1
003	PC	94336402	CLUTCH ROLLER		1
004	PC	76591100	PIN-DOWEL METRIC 03X10		1
005	PC	92054111	BEARING		2
006	PC	92033032	RING-RETAINING		1
007	PC	95529007	SPACER-BEARING .001		1
008	PC	95529008	SPACER-BEARING .002		1
009	PC	95529002	SPACER-BEARING .005		1
010	PC	95529004	SPACER-BEARING .010		1
011	PC	44670956	SLEEVE BEARING		1
012	PC	76593203	GEAR WORM WHEEL		1
013	PC	76649122	SCR SKT SET CUP PT M4X8.		2
014	PC	93529803	WAVE WASHER		1
015	PC	44670959	SPACER-STEPPED		1
016	PC	59809836	ROLL PIN		1

44671451 HEAD MOUNT ASSEMBLY PM-125

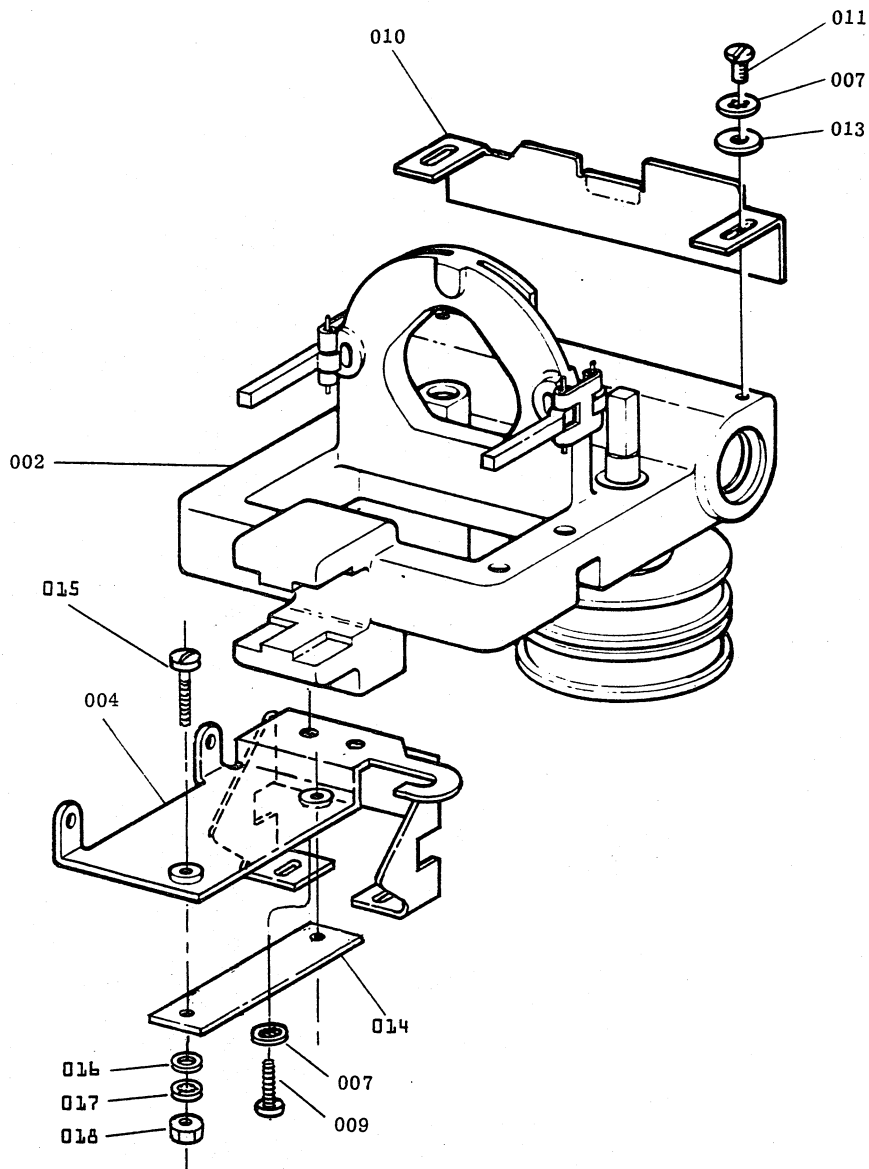


REF NUM REV TITLE
 44671451 B CZ HEAD MOUNT ASSY PM-125

FND NUM	U/M	PART NUM	DESCRIPTION	NUM REQ
002	PC	44672155	CZ HD SUPP(PULLEY ASSY	2
003	PC	44672334	BRACE-HEAD ADJUSTMENT	1
008	PC	44671227	BRKT L.E.O. MOUNT	2
010	PC	76590524	MSHR INTL LK METRIC M3-3	8
012	PC	76590103	HEX HD. SCR. M3X0.5X8	8
021	PC	76590404	MSHR FLT METRIC M3-3.2 I	4
022	PC	76590031	SCH MCH CHS SLT M3X8.5X6	4
023	PC	76606500	ECCENTRIC-PLATEN LOCK	2
024	PC	76590032	SCR MCH CHS SLT M3X0.5X8	2
025	PC	44673244	LINE FINDER	2
026	PC	44671588	CABLE CLAMP	2
027	PC	76590033	SCR	4
028	PC	76590406	MSHR FLAT	4
029	PC	76590506	MSH LK	4
030	PC	76590204	NUT HEX	4

NOTE: HEAD MOUNT ASSEMBLY 44671450 CANNOT BE USED TO REPLACE HEAD MOUNT ASSEMBLY 44671451.

44675612 REMOVEABLE HEAD MOUNT ASSEMBLY PM-70
 44671450 HEAD MOUNT ASSEMBLY PM-70



REF NUM REV TITLE
 44675612 01 REMOVABLE HEAD MOUNT ASSY {PM70 WITH REMOVABLE HEAD CLAMP LEVERS}

REF NUM REV TITLE
 44671450 B CZ HEAD MOUNT ASSY {PM70 WITHOUT REMOVEABLE HEAD CLAMP LEVERS}

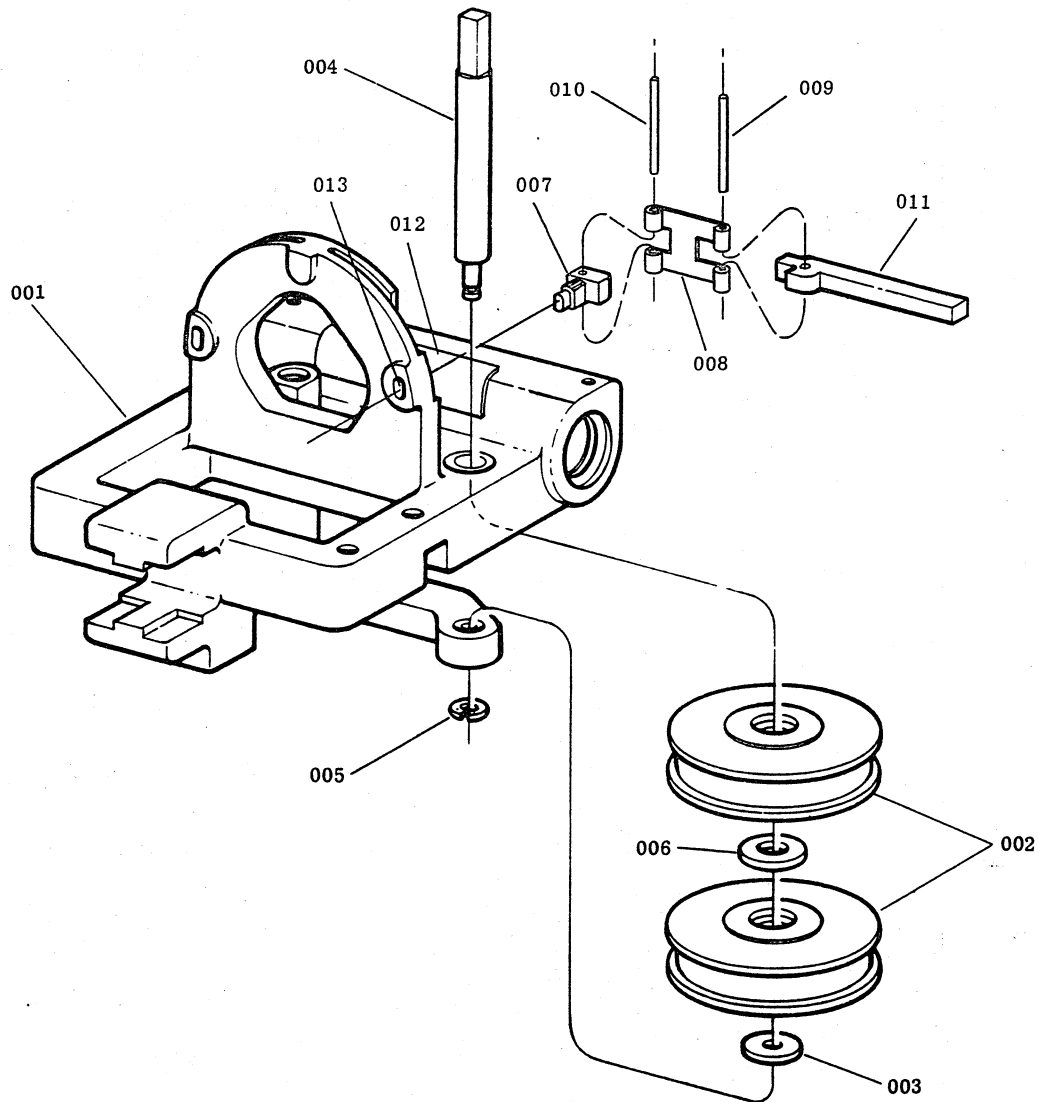
FND NUM	U/M	PART NUM	DESCRIPTION	NUM REQ
002	PC	44675614	REMOV. HD SUPP-PUL ASSY	1 {WITH HEAD CLAMP LEVERS}
002	PC	44672156	CZ HD SUPP {PULLEY ASSY}	1 {WITHOUT HEAD CLAMP LEVERS}
004	PC	44675149	BRK L.E.D. MOUNT	1
007	PC	76590524	WSHR INTL LK METRIC M3-3	4
009	PC	76590103	HEX HD SCR. M3X0.5X8	2
010	PC	44673244	LINE FINDER	1
011	PC	76590031	SCR MCH CHS SLT M3X0.5X6	2
013	PC	76590404	WSHR FLT METRIC M3-3.2 I	2
014	PC	44671588	CABLE CLAMP	1
015	PC	76590033	SCR	2
016	PC	76590406	WSHR FLAT	2
017	PC	76590506	WSHR LK	2
018	PC	76590204	NUT HEX	2

NOTE: HEAD MOUNT ASSEMBLY 44671451 MAY BE USED TO REPLACE HEAD MOUNT ASSEMBLY 44671450.

44675614 REMOVEABLE HEAD SUPPORT AND PULLEY ASSEMBLY PM-70

44672156 HEAD SUPPORT (PULLEY ASSEMBLY) PM-70

44672155 HEAD SUPPORT (PULLEY ASSEMBLY) PM-125



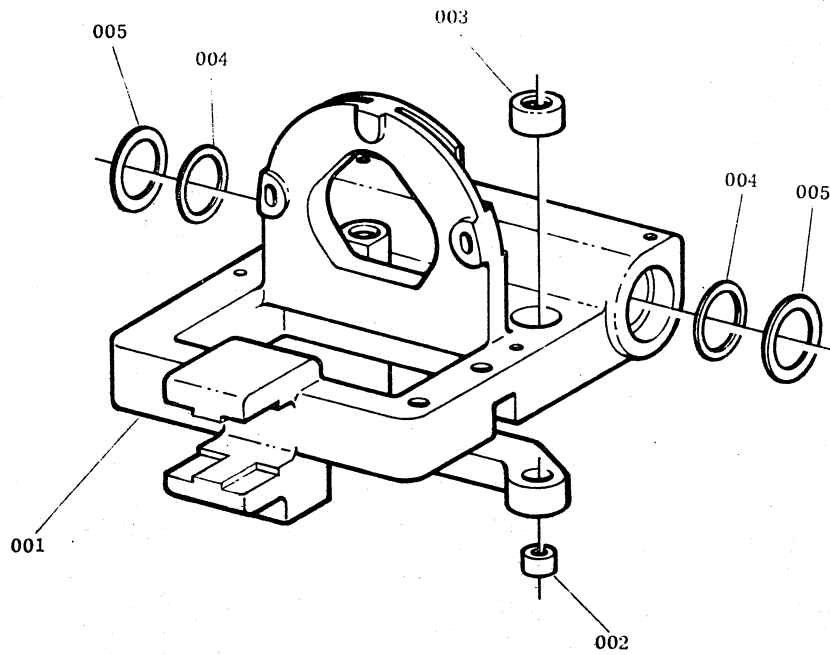
REF NUM	REV	TITLE
44675614	01	REMOVEABLE HEAD SUPPORT AND PULLEY ASSY PM-70 {WITH REMOVABLE HEAD CLAMP LEVERS}

REF NUM	REV	TITLE
44672156	02	CZ HD SUPP { PULLEY ASSY } PM-70 {WITHOUT REMOVABLE HEAD CLAMP LEVERS}

REF NUM	REV	TITLE
44672155	01	CZ HD SUPP {PULLEY ASSY } PM-125 {WITHOUT REMOVABLE HEAD CLAMP LEVERS}

FND NUM	U/M	PART NUM	DESCRIPTION	NUM REQ	
001	PC	44675613	CZ PR HEAD SUPPORT+BEARING	1	PM-70
001	PC	44672157	CZ PR HD SUPPORT + BEARING	1	PM-125
002	PC	44672092	CZ PULLEY ASSY-CASSETTE	2	
003	PC	94291401	WASHER THRUST .140X.400X	1	
004	PC	44671218	SHAFT-RIBBO CASSETTE DR	1	
005	PC	92033318	RING RETAINING	1	
006	PC	94291410	WASHER THRUST	1	
007	PC	44675144	PIN LOCATING	2	
009	PC	44675128	SPRING PRINT HD RETURN	2	
009	PC	44675136	PIVOT LOCKING LEVER	2	} PM70 {WITH REMOVABLE HEAD CLAMP LEVERS ONLY}
010	PC	44675135	PIN SPRING HD RETURN	2	
011	PC	44675127	LEVER LOCKING	2	
012	PC	44675187	LABEL PRINT HD MTG	1	
013	PC	95125320	LOCTITE 222	AR	

44675613 PRINT HEAD SUPPORT & BEARING PM-70
 44672157 PRINT HEAD SUPPORT & BEARING PM-125



REF NUM	REV	TITLE
44675613	01	CZ PR HEAD SUPPORT+BEARING PM-70
44672157	03	CZ PR HD SUPPORT + BEARING PM-125

FND NUM	U/M	PART NUM	DESCRIPTION	NUM REQ
001	PC	44672732	HEAD SUPPORT ASSY PM 70	1
001	PC	44672730	HEAD SUPPORT ASSY PM 125	1
002	PC	93715001	BEARING NEEDLE	1
003	PC	76648602	BEARING-NEEDLE	1
004	PC	44672391	BEARING SEAL	2
005	PC	44672142	RETAINER BEARING SEAL	2

NOTE: 44675613 REPLACES 44672158 ON PM70 UNITS.

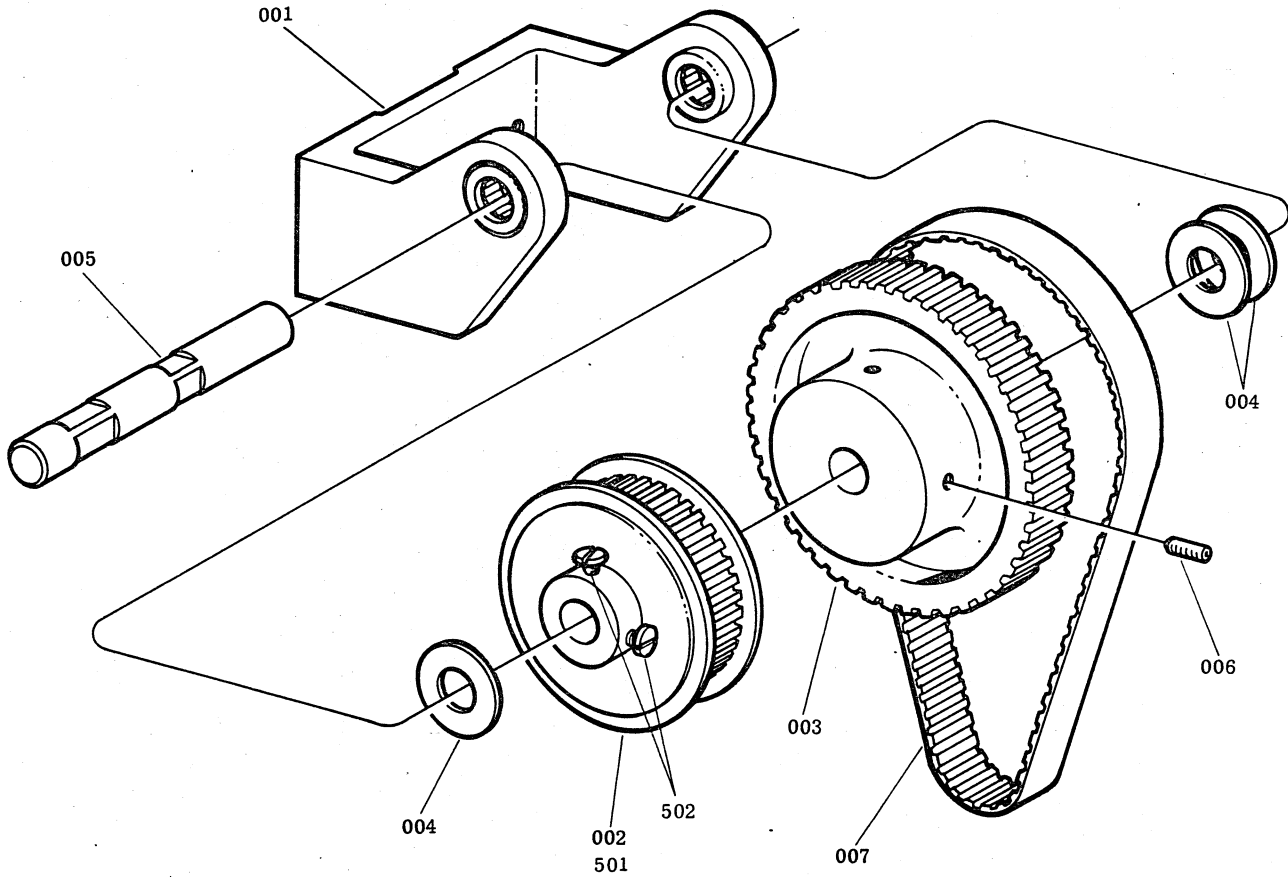
REF NUM REV TITLE
 44671599 D CZ PRTR MECHANICAL SUB

FND NUM	U/M	PART NUM	DESCRIPTION	NUM REQ
001	PC	44672093	CZ PRINT HEAD STRUCTURE	1
002	PC	44671628	CZ PULLEY ASSY R.H.	1
003	PC	44671629	CZ PULLEY ASSY L.H.	1
004	PC	44671242	PAPER SLIDE UPPER	1
005	PC	44671630	CZ SLIDE + SWITCH ASSY	1
006	PC	76610400	BALL SUPPORT ASSY	1
007	PC	76619101	PLATEN ADV BRKT ASSY LH	1
008	PC	76619201	PLATEN ADV BRKT ASSY RH	1
009	PC	44671631	CZ PLATEN ADV SHAFT ASSY	1
009	PC	44675597	PLATEN ADV SHAFT ASSY	1
010	PC	44683768	PLATEN ASSY	1
011	PC	76606401	ECCENTRIC PLATEN ADJ.	1
011	PC	76606402	ECCENTRIC PLATEN ADJ	1
012	PC	44670725	MOUNT-PLATEN SPRING	1
013	PC	76628100	SPRING	2
014	PC	76649701	SUPPORT PLATEN ADVANCE	2
015	PC	76590606	RETAINING RING METRIC 4	1
016	PC	76649120	SCR SET.SKT.CUP PT M4X0.	1
017	PC	76590031	SCR MCH CHS SLT M3X0.5X6	5
018	PC	76590045	SCR MCH CHS SLT M4X0.7X6	4
019	PC	76590111	SCR MCH CHS SLT M4X0.7X1	3
020	PC	76590048	SCR MCH CHS SLT M4X0.7X1	2
021	PC	76590406	WSHR FLT METRIC M4-4.3 I	4
022	PC	76590504	WSHR EXT LK METRIC M3-3.	10
023	PC	76590506	WSHR EXT LK METRIC M4-4.	21
024	PC	76590130	SCR MCH HEX HD M4X0.7X30	3
025	PC	76590201	NUT-HEX M3X0.5	4
026	PC	76590204	NUT-HEX M4X0.7	8
027	PC	76590408	WSHR FLT METRIC M6-6.4 I	1
030	PC	44670490	SHIM-FLAT	2
031	PC	44685588	KNOB	1
032	PC	95356406	FASTON TAB .250 RT ANGLE	2
033	LB	94813900	LITHUM GREASE	AR
034	PC	95370201	OIL-LUBRICATING	AR
035	PC	76590032	SCR MCH CHS SLTD M3X0.5X8	1
036	PC	44672323	GROUND STRAP	4
037	PC	76590047	SCR MCH CHS SLT M4X0.7X10	7
040	PC	44675162	SPRING RETAINER	1
041	PC	44675164	DETENT BRACKET	1
042	PC	44675163	LEAF SPRING	1

△ ON PM70 UNITS WITHOUT OPERATOR REPLACEABLE HEAD AND EARLY PM125 UNITS WITH FIND NUMBER 009 {44671631} PLATEN ADVANCE SHAFT ASSY.

△ ON PM70 UNITS WITH OPERATOR REPLACEABLE HEAD AND LATE MODEL PM125 UNITS WITH FIND NUMBER 009 {44674497} PLATEN ADV. SHAFT ASSY.

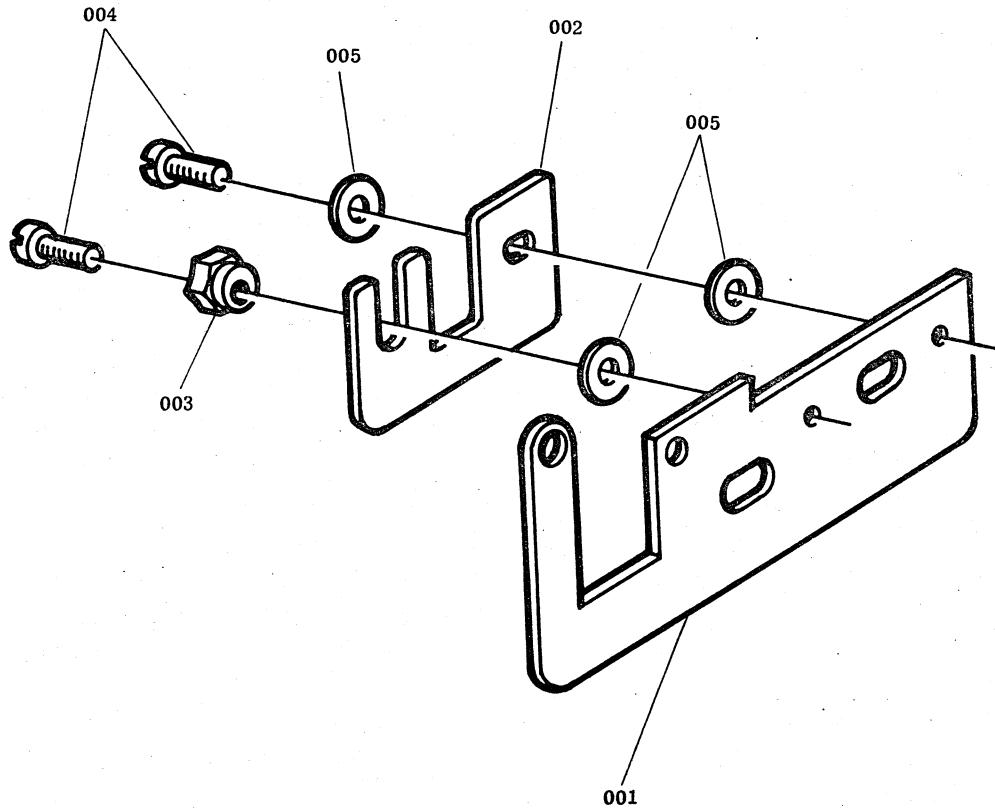
44671628 PULLEY ASSEMBLY-RIGHT HAND



REF NUM REV TITLE
 44671628 B CZ PULLEY ASSY R.H.

FND NUM	U/M	PART NUM	DESCRIPTION	NUM REQ
001	PC	44671266	PULLEY BRKT + NEEDLE BRG	1
002	PC	44673145	TIMING PULLEY + SCR ASSY	1
501	PC	44671967	PULLEY TIMING 30T	1
502	PC	76590046	SCR MCH CHS SLT M4X0.7X8	2
003	PC	44682788	PULLEY 44-TOOTH	1
004	PC	95369600	BEARING-THRUST	3
005	PC	76598801	SHAFT	1
006	PC	76590046	SCR MCH CHS SLT M4X0.7X8	2
007	PC	92755063	TIMING BELT	1
008	LB	94813900	LITHUM GREASE	AR

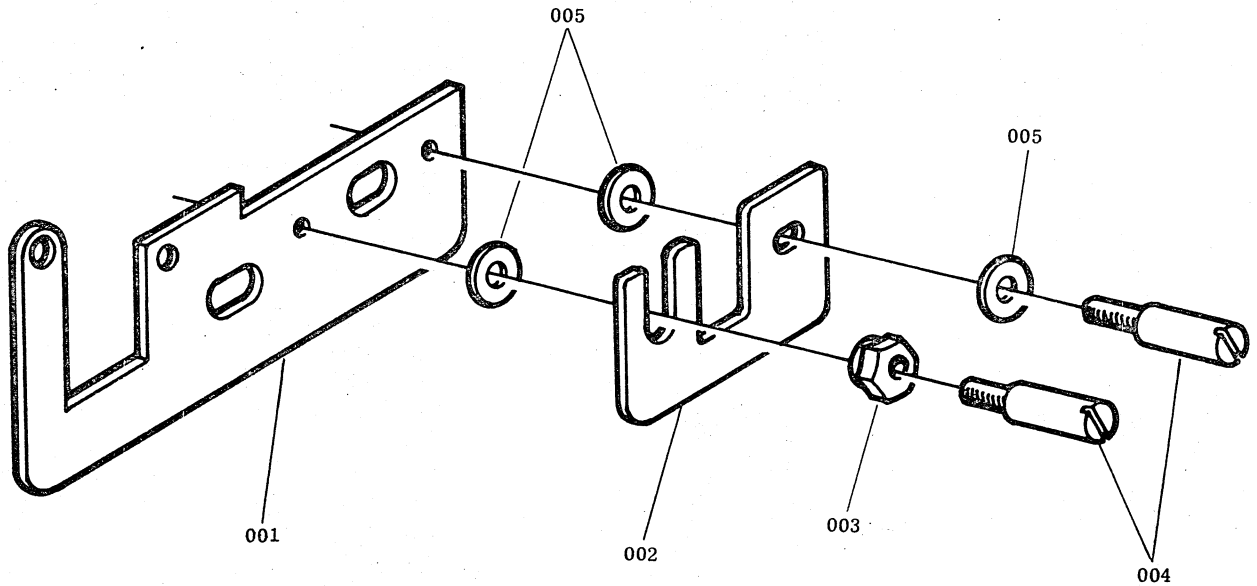
76619101 PLATEN ADVANCE BRACKET ASSEMBLY -LEFT HAND



REF NUM REV TITLE
 76619101 A PLATEN ADV BRKT ASSY LH

FND NUM	U/M	PART NUM	DESCRIPTION	NUM REQ
001	PC	76613901	BRACKET PLATEN ADVANCE	1
002	PC	76606500	ECCENTRIC-PLATEN LOCK	1
003	PC	76606700	PLATE-ADVANCE MECHANISM	1
004	PC	76590032	SCR MCH CHS SLT M3X0.5X8	2
005	PC	76590404	WSHR FLT METRIC M3-3.2 I	3

76619201 PLATEN ADVNACE BRACKET ASSEMBLY - RIGHT HAND



REF NUM REV TITLE
 76619201 A PLATEN ADV BRKT ASSY RH

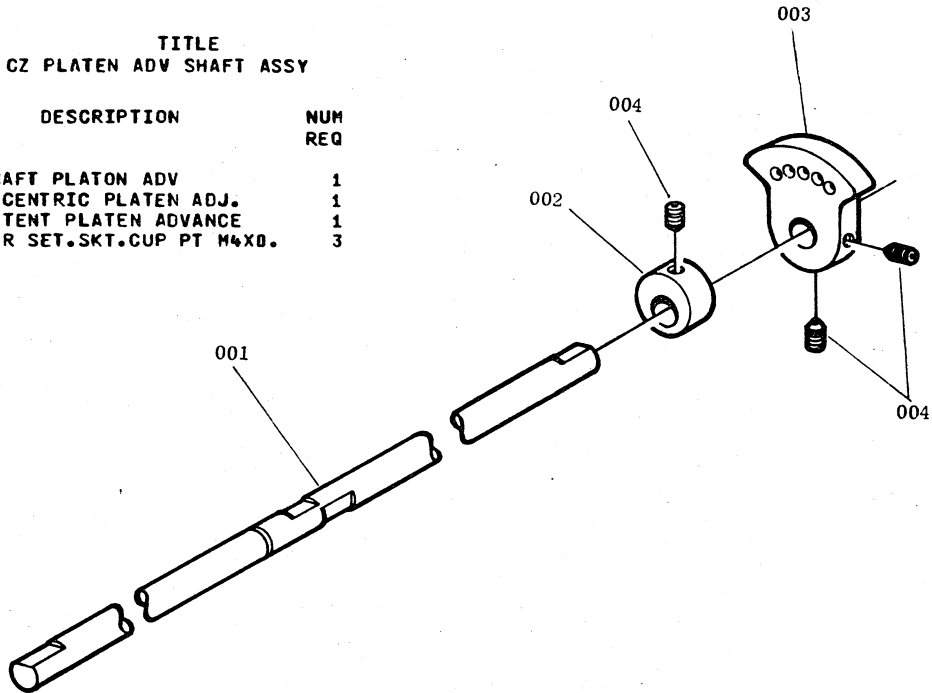
FND NUM	U/M	PART NUM	DESCRIPTION	NUM REQ
001	PC	76613901	BRACKET PLATEN ADVANCE	1
002	PC	76606500	ECCENTRIC-PLATEN LOCK	1
003	PC	76606700	PLATE-ADVANCE MECHANISM	1
004	PC	76612100	STOP-PLATEN ADVANCE LEVE	2
005	PC	76590404	WSHR FLT METRIC M3-3.2 I	3

44671631 PLATEN ADVANCE SHAFT ASSEMBLY
 44675597 PLATEN ADVACNE SHAFT ASSEMBLY

NOTE: THIS ASSY MAY BE USED ON
 PM70 UNITS THAT DO NOT
 HAVE OPERATOR REPLACEABLE
 PRINT HEADS AND ON SOME
 EARLY PM125 UNITS.

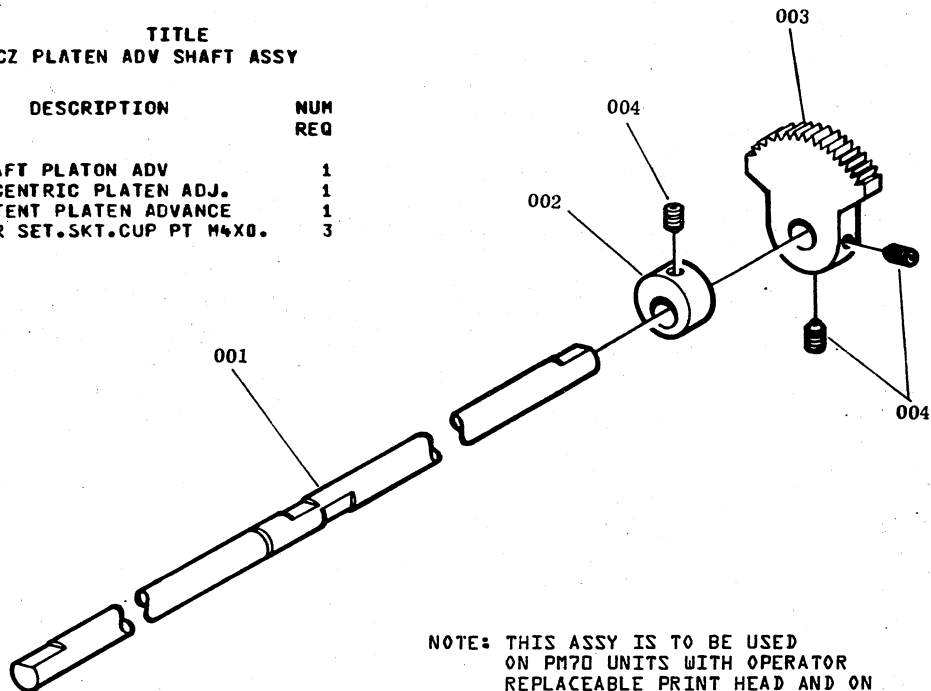
REF NUM REV TITLE
 44671631 01 CZ PLATEN ADV SHAFT ASSY

FND NUM	U/M	PART NUM	DESCRIPTION	NUM REQ
001	PC	44671284	SHAFT PLATON ADV	1
002	PC	76606401	ECCENTRIC PLATEN ADJ.	1
003	PC	76648401	DETENT PLATEN ADVANCE	1
004	PC	76649120	SCR SET.SKT.CUP PT M4X0.	3



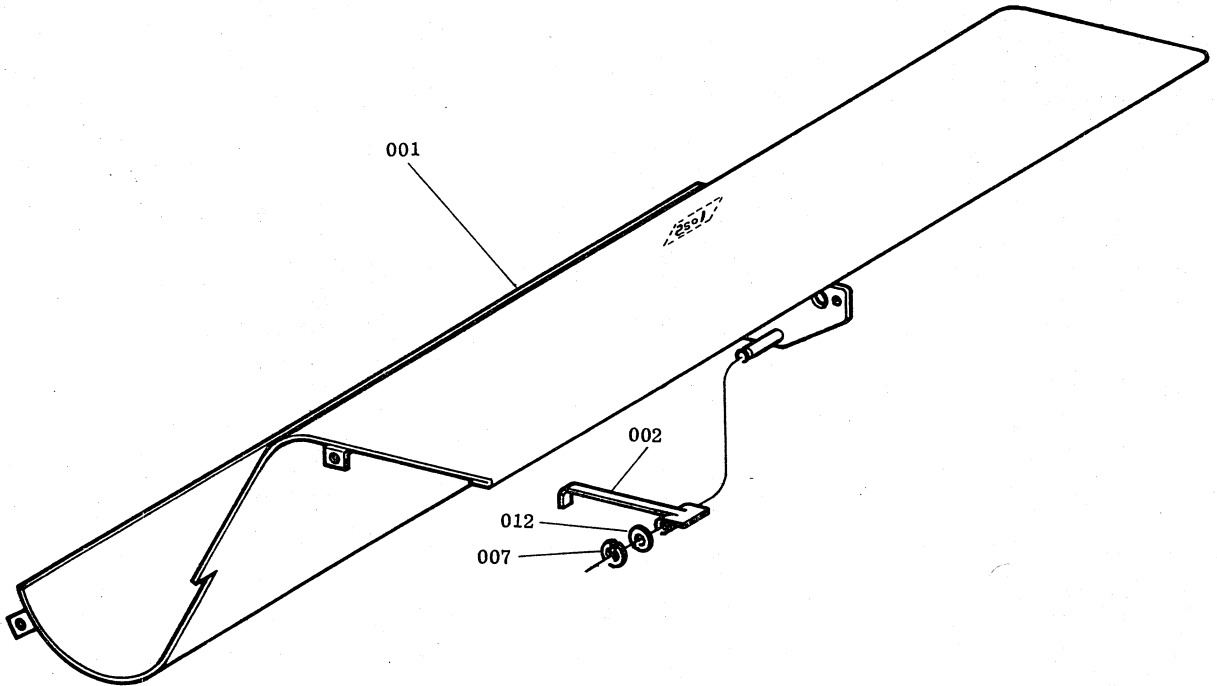
REF NUM REV TITLE
 44675597 01 CZ PLATEN ADV SHAFT ASSY

FND NUM	U/M	PART NUM	DESCRIPTION	NUM REQ
001	PC	44671284	SHAFT PLATON ADV	1
002	PC	76606402	ECCENTRIC PLATEN ADJ.	1
003	PC	44675191	DETENT PLATEN ADVANCE	1
004	PC	76649120	SCR SET.SKT.CUP PT M4X0.	3



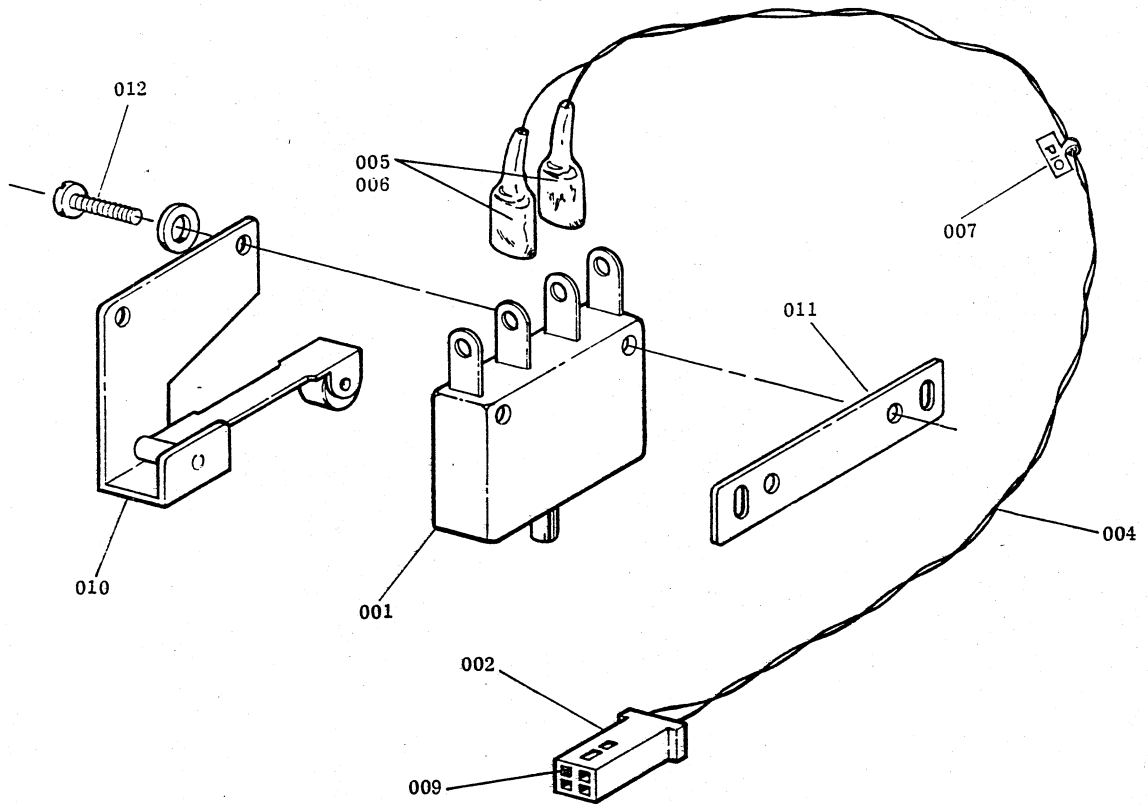
NOTE: THIS ASSY IS TO BE USED
 ON PM70 UNITS WITH OPERATOR
 REPLACEABLE PRINT HEAD AND ON
 SOME LATE MODEL PM125 UNITS.

44671630 SLIDE & (ARM ASSEMBLY)



REF NUM	REV	TITLE		
44671630	B	CZ SLIDE (ARM ASSY)		
FND NUM	U/M	PART NUM	DESCRIPTION	NUM REQ
001	PC	44678128	SLIDE ASSY LOWER	1
002	PC	44677356	ARM-SWITCH	1
007	PC	76590604	RETAINING RING METRIC 2.	1
012	PC	76590404	WSHR FLT METRIC M3-3.2 I	1

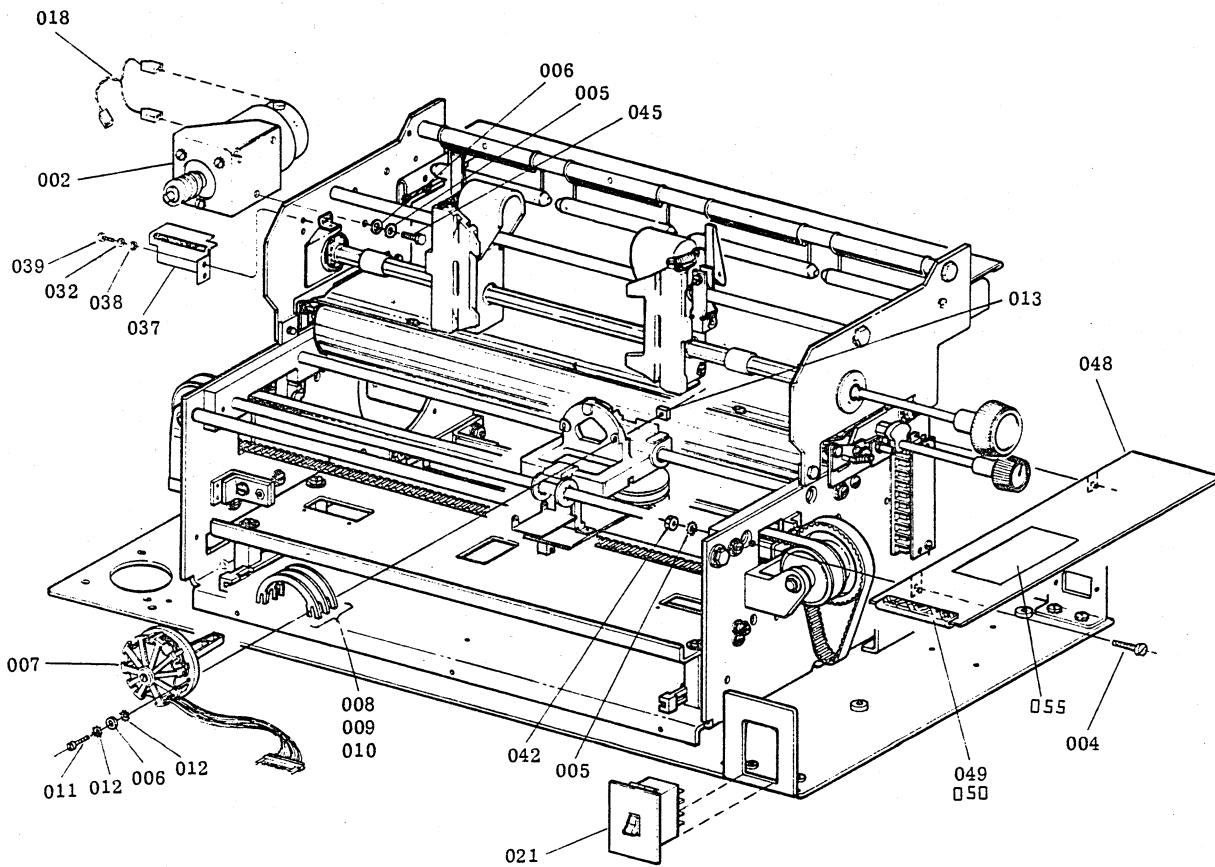
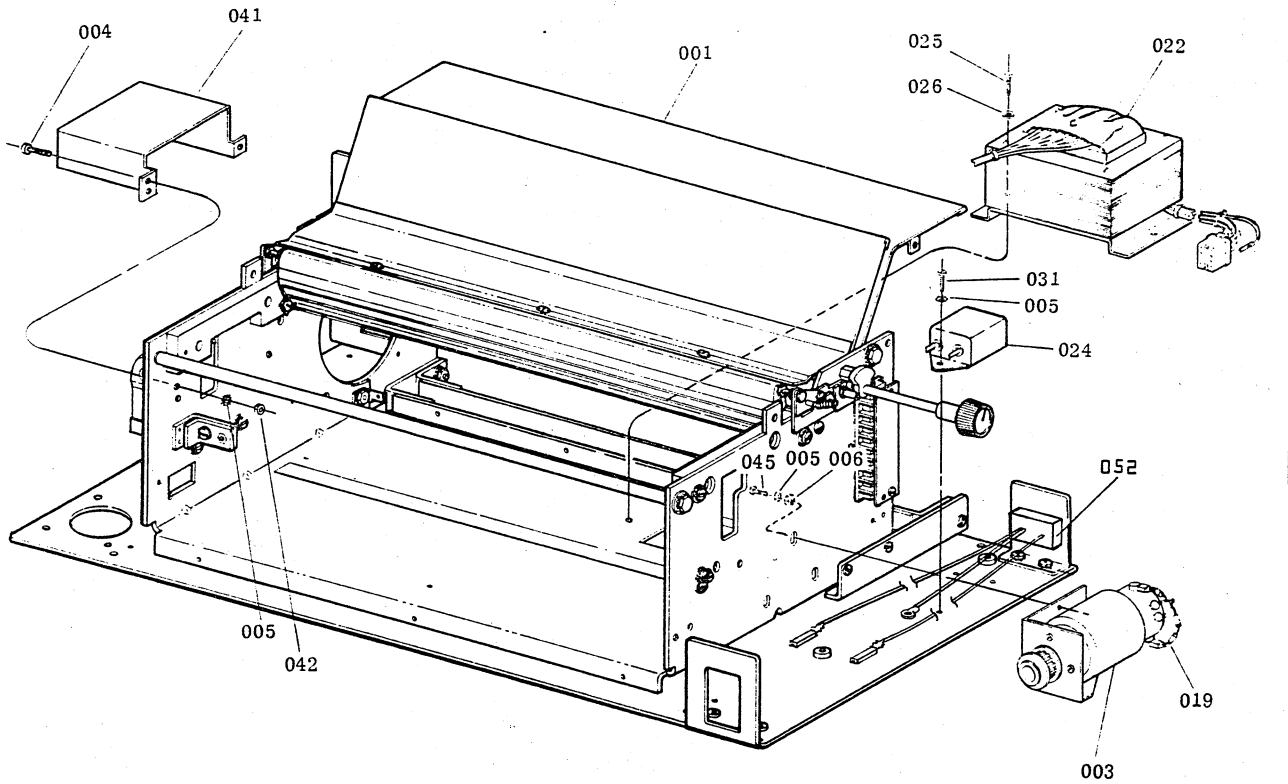
44671984 OUT OF PAPER SWITCH



REF NUM REV TITLE
 44671984 03 CZ OUT OF PAPER SWITCH

FND NUM	U/M	PART NUM	DESCRIPTION	NUM REQ
001	PC	76620000	SWITCH-MINIATURE	1
002	PC	44672011	HOUSING 4 POSITION	1
003	PC	95873500	CONTACT-LOCKING CLIP	2
004	FT	91847521	WIRE 24 AWG T.P. 0-9	1
005	FT	24534709	SHRINK TUBING	
006	OZ	95024600	SOLDER	AR
007	PC	94277409	TYRAPS	1
009	PC	44672015	CONNECTOR KEY	1
010	PC	76620700	ACTUATOR-SWITCH	1
011	PC	76583500	BRACKET-MINISWITCH	1
012	PC	76590005	SCR HCH CHS SLT M2X0.4X1	2

44671683 PRINTER ASSEMBLY PM-70
44671681 PRINTER ASSEMBLY PM-125

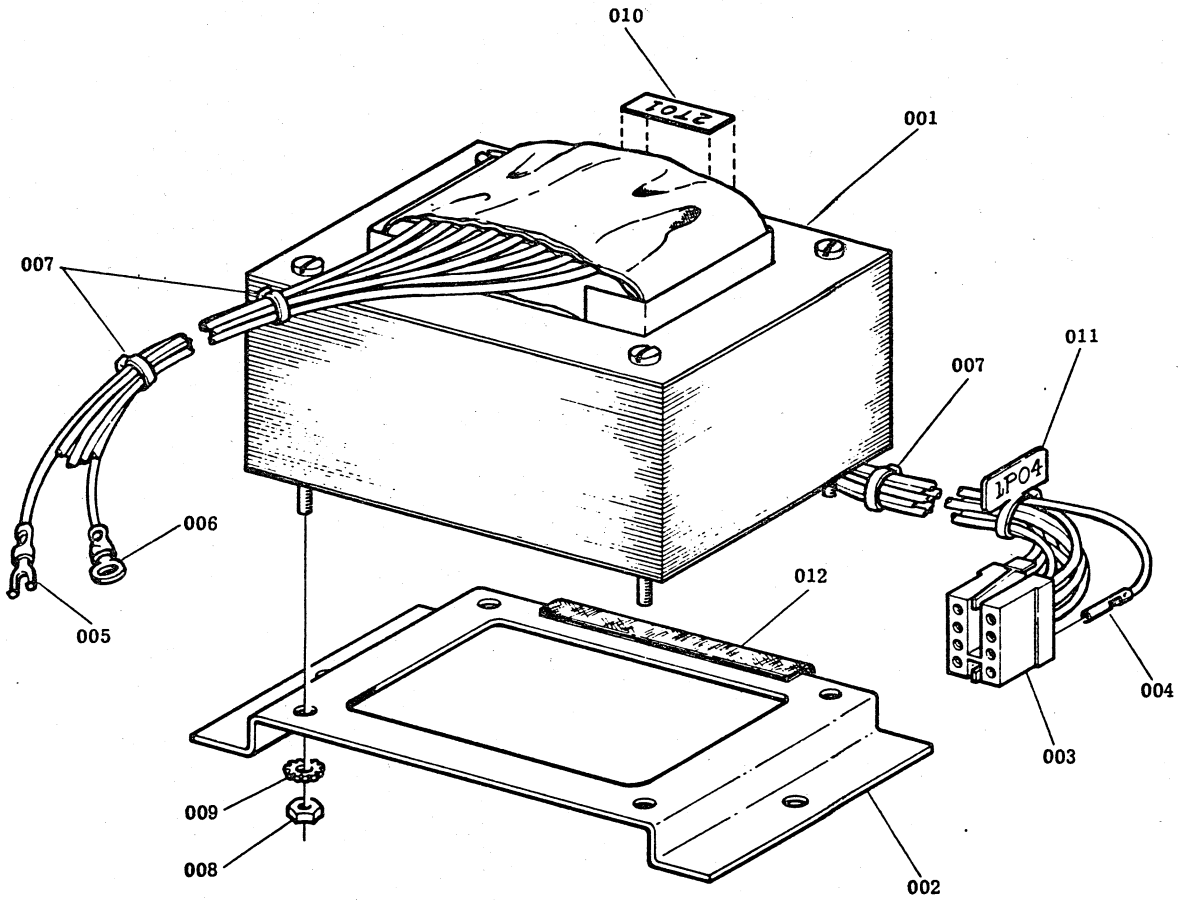


REF NUM REV TITLE
 44671683 C CZ PRINTER ASSY PM-70
 44671681 C CZ PRINTER ASSY PM 125

FND NUM	U/M	PART NUM	DESCRIPTION	NUM REQ
001	PC	44671684	CZ PRTR MECH ASSY PM-70	1
001	PC	44671682	CZ PRINTER MECH ASSY PM-125	1
002	PC	44671643	CZ VERTICAL SERVO MOTOR	1
003	PC	44671642	CZ HORIZ SERVO MOTOR ASSY	1
004	PC	76590047	SCR MCH CHS SLT M4X0.7X1	18
005	PC	76590506	WSHR EXT LK METRIC M4-4.	39
006	PC	76590406	WSHR FLT METRIC M4-4.3 I	6
007	PC	44671738	PRINT HEAD 9 WIRE MATRIX	1
008	PC	44672130	SHIM PRINT 0.051	AR
009	PC	44672131	SHIM PRINT 0.076	AR
010	PC	44672132	SHIM PRINT 0.127	AR
011	PC	10127322	SCR PAN HD SLTD 4-40X.37	2
012	PC	10126400	WASHER EXTL TOOTH LK 4	2
013	PC	09028503	NUT SQUARE ST. 4-40	2
015	PC	94277400	TY-RAP	1
017	IN	94761108	SHRINK TUBING	AR
018	PC	44671987	CZ VERT SERVO HARNESS ASSY	1
019	PC	44671986	CZ HORIZ SERVO HARNESS ASSY	1
021	PC	76647100	CIRCUIT BREAKER ASSY	1
022	PC	44671720	CZ TRANSFORMER + BRKT AS	1
023	PC	44671706	WIRE LIST A.C.	1
024	PC	44671665	POWER LINE FILTER	1
025	PC	76590125	SCREW MCH HEX HD M6X1X10	2
026	PC	76590408	WSHR FLT METRIC M6-6.4 I	2
027	PC	76590508	WSHR EXT LK METRIC M6-6.	2
031	PC	76590109	SCR MCH HEX HD. M4X0.7X8	2
032	PC	76590504	WSHR EXT LK METRIC M3-3.	6
035	PC	76643500	MOUNT-TIE RAP	10
036	PC	94830668	STICKER SYMBOLIZER 3LF01	1
037	PC	44674169	GEAR COVER ASSY	1
038	PC	76590404	WASH FLT METRIC M3-3.2 ID	6
039	PC	76590032	SCR MCH CHS SLT M3X0.5X8	4
040	AR	44672333	OIL LUBRICATING	AR
041	PC	44672596	COVER-PULLEY L.H.	1
042	PC	76590204	NUT-HEX M4X0.7	8
043	PC	76590111	NUT MX HD M4X0.7	6
045	PC	95356402	FASTON-TAB	1
046	PC	92491018	STRAIN RELIEF	1
048	PC	44682986	COVER-PULLEY R.H. (VDE/IEC)	1
049	IN.	92413000	RUBBER CHANNEL	3
050	OZ	94780801	LOCTITE	AR
051	PC	10126101	WSHR INTL LK 4	12
052	PC	44681870	POWER CORD RECPT	1
053	PC	76590033	SCR MCH CHS SLT M3	2
054	PC	76590201	NUT HEX M3X0.5	2
055	PC	44675537	LABEL CAUTION	1 (ICL ONLY)

⚠ USED ON PM70 UNITS WITHOUT OPERATOR REPLACEABLE HEAD AND ON PM125 UNITS ONLY.

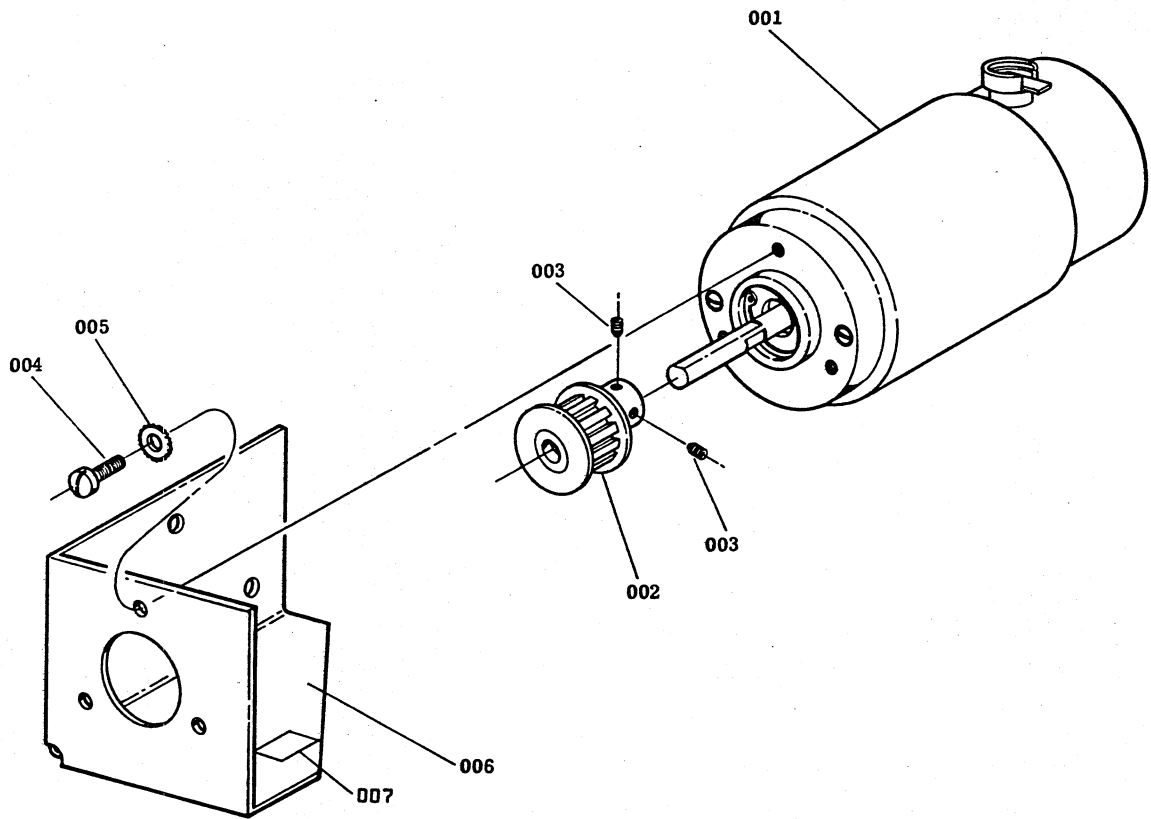
44671720 TRANSFORMER & BRACKET ASSEMBLY



REF NUM REV TITLE
 44671720 02 CZ TRANSFORMER + BRKT ASSY

FND NUM	U/M	PART NUM	DESCRIPTION	NUM REQ
001	PC	95440801	TRANSFORMER	1
002	PC	44671280	BRACKET TRANSFORMER	1
003	PC	94091013	HOUSING-CONN 18 POS	1
004	PC	93943003	CONTACT SOCKETS 18-14GA	8
005	PC	94717012	TERMINAL SPRING SPADE	6
006	PC	93541018	RING TERMINAL	2
007	PC	94277400	TY-RAP	4
008	PC	76590205	HEX NUT M5	4
009	PC	76590507	MSHR EXT LK METFIC 5.3ID	4
010	PC	94830661	STICKER SYMBOLIZER 2T01	1
011	PC	94277409	TYRAP 1P04	1
012	IN.	94227703	SAFETY TRIM	4

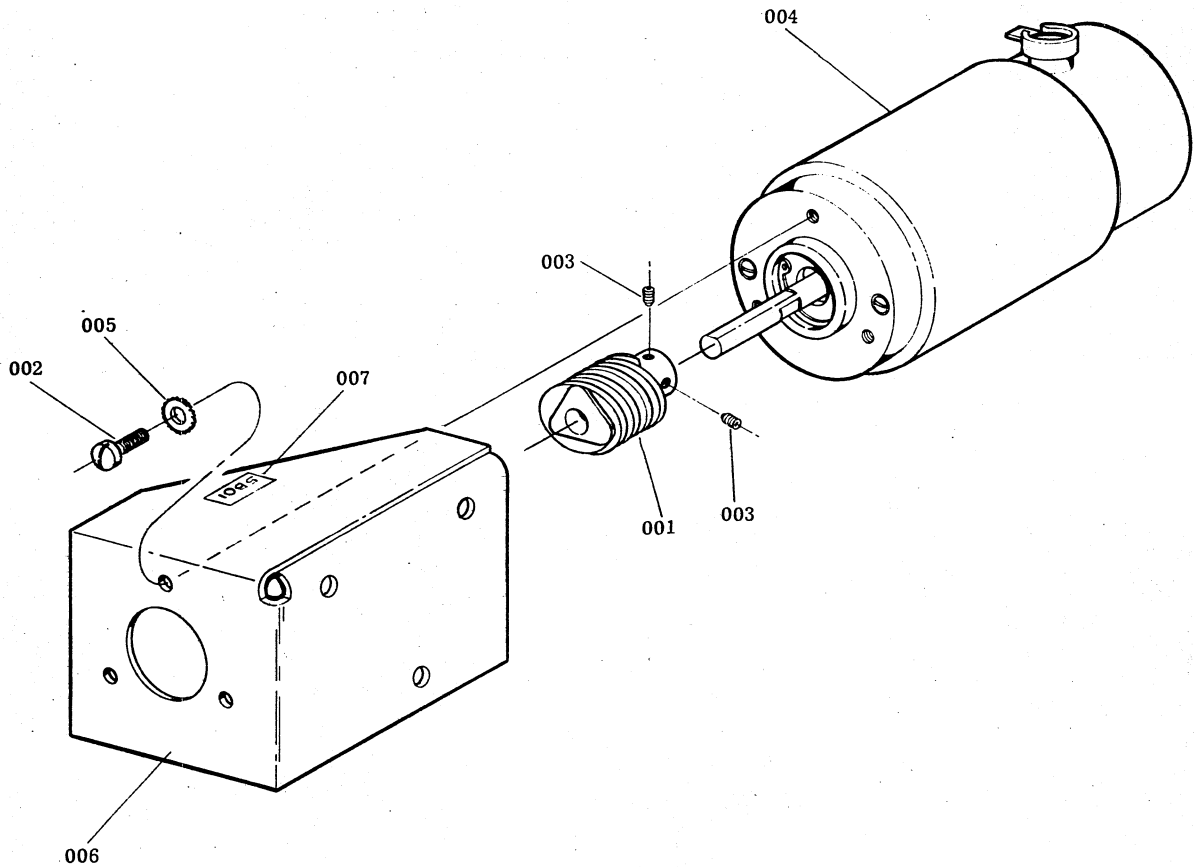
44671642 HORIZONTAL SERVO MOTOR ASSEMBLY



REF NUM REV TITLE
 44671642 B CZ HORIZ SERVO MOTOR ASSY

FND NUM	U/M	PART NUM	DESCRIPTION	NUM REQ
001	PC	44671136	MOTOR	1
002	PC	44682987	PULLEY 11 TOOTH	1
003	PC	76590721	SCR SKT FLT PNT M4X0.7X6	2
004	PC	76590046	SCR MCH CHS SLT M4X0.7X8	3
005	PC	76590506	MSHR EXT LK METRIC M4-4.	3
006	PC	44676842	BRACKET MOTOR MT#6	1
007	PC	95310224	STICKER 2 B01	1

44671643 VERTICAL SERVO MOTOR ASSEMBLY

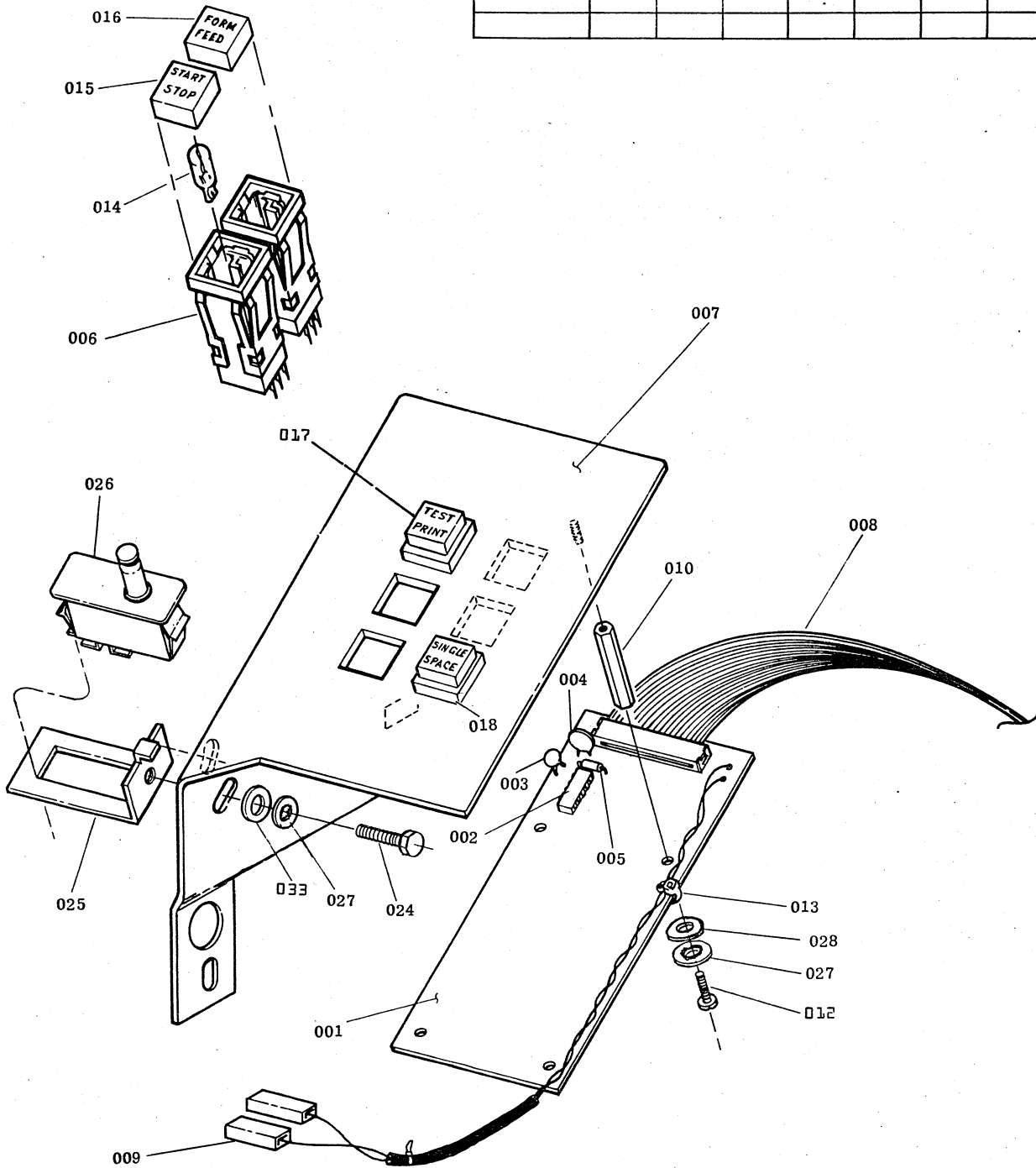


REF NUM REV TITLE
 44671643 02 CZ VERTICAL SERVO MOTOR

FND NUM	U/M	PART NUM	DESCRIPTION	NUM REQ
001	PC	76593202	GEAR WORM	1
002	PC	76590046	SCR MCH CHS SLT M4X0.7X8	3
003	PC	76590713	SET SCR M3 X 0.5 X3	2
004	PC	44671136	MOTOR	1
005	PC	76590506	WSHR EXT LK METRIC M4-4.	3
006	PC	44676842	BRACKET MOTOR MT#G	1
007	PC	94830649	STICKER 5B01	1

95440400, 01, 02, 03 CONTROL PANEL ASSEMBLY

CONTROL PANEL ASSY PART NUMBER	SWITCH FUNCTIONS PROVIDED						
	START STOP	FORM FEED	TEST PRINT	SINGLE SPACE			
95440400							
95440401							
95440402							
95440403							



REF NUM REV TITLE
95440400 B ** CONTROL PANEL ASSY

FND NUM	U/M	PART NUM	DESCRIPTION	NUM REQ
001	PC	95440301	PCB CONTROL PANEL	1
002	PC	95350102	IC 7404	1
003	PC	95443364	CAP 6.8 UF 35V TANT	1
004	PC	19115400	CAP FIXED CER. 50 VDC	1
005	PC	24500071	RES 2.2K OHM 50 1/4W	1
006	PC	94380069	SWITCH	2
007	PC	44674514	PANEL CONTROL	1
008	PC	44671712	CZ CONTROL PANEL CABLE A	1
009	PC	44671985	CZ INTERLOCK SWITCH HARN	1
010	PC	76584505	PILLAR HEX METRIC	4
012	PC	76590046	SCR MCH CHS SLT M4X0.7X8	4
013	PC	94277400	TY-RAP	2
014	PC	94380400	LAMP	2
015	PC	94380615	LENS START/STOP	1
016	PC	94380616	LENS FORM FEED	1
022	FT	94753100	WIRE 24 GA SOLID	1
024	PC	76590110	SCR MCH HEX HD M4X0.7X8	1
025	PC	44672309	BRACKET-SWITCH	1
026	PC	62048207	SWITCH, INTERLOCK	1
027	PC	76590526	WSHR INTL LK METRIC M4-4	5
028	PC	76590406	WSHR FLT METRIC M4-4.3 I	4
033	PC	76590466	WSHR FLT METRIC	1

REF NUM REV TITLE
95440401 B ** CONTROL PANEL ASSY

FND NUM	U/M	PART NUM	DESCRIPTION	NUM REQ
001	PC	95440301	PCB CONTROL PANEL	1
002	PC	95350102	IC 7404	1
003	PC	95443364	CAP 6.8 UF 35V TANT	1
004	PC	19115400	CAP FIXED CER. 50 VDC	1
005	PC	24500071	RES 2.2K OHM 50 1/4W	1
006	PC	94380069	SWITCH	3
007	PC	44672278	PANEL CONTROL	1
008	PC	44671712	CZ CONTROL PANEL CABLE A	1
009	PC	44671985	CZ INTERLOCK SWITCH HARN	1
010	PC	76584505	PILLAR HEX METRIC	4
012	PC	76590046	SCR MCH CHS SLT M4X0.7X8	4
013	PC	94277400	TY-RAP	2
014	PC	94380400	LAMP	1
015	PC	94380615	LENS START/STOP	1
016	PC	94380616	LENS FORM FEED	1
018	PC	94380648	LENS SINGLE SPACE	1
022	FT	94753100	WIRE 24 GA SOLID	2
024	PC	76590110	SCR MCH HEX HD M4X0.7X8	1
025	PC	44672309	BRACKET-SWITCH	1
026	PC	62048207	SWITCH, INTERLOCK	1
027	PC	76590526	WSHR INTL LK METRIC M4-4	5
028	PC	76590406	WSHR FLT METRIC M4-4.3 I	4
033	PC	76590566	WSHR FLT METRIC	1

REF NUM REV TITLE
95440402 B ** CONTROL PANEL ASSY

FND NUM	U/M	PART NUM	DESCRIPTION	NUM REQ
001	PC	95440301	PCB CONTROL PANEL	1
002	PC	95350102	IC 7404	1
003	PC	95443364	CAP 6.8 UF 35V TANT	1
004	PC	19115400	CAP FIXED CER. 50 VDC	1
005	PC	24500071	RES 2.2K OHM 50 1/4W	1
006	PC	94380069	SWITCH	4
007	PC	44674517	PANEL CONTROL	1
008	PC	44671712	CZ CONTROL PANEL CABLE A	1
009	PC	44671985	CZ INTERLOCK SWITCH HARN	1
010	PC	76584505	PILLAR HEX METRIC	4
012	PC	76590046	SCR MCH CHS SLT M4X0.7X8	4
013	PC	94277400	TY-RAP	2
014	PC	94380400	LAMP	2
015	PC	94380615	LENS START/STOP	1
016	PC	94380616	LENS FORM FEED	1
018	PC	94380648	LENS SINGLE SPACE	1
017	PC	94380617	LENS TEST PRINT	1
024	PC	76590110	SCR MCH HEX HD M4X0.7X8	1
025	PC	44672309	BRACKET-SWITCH	1
026	PC	62048207	SWITCH, INTERLOCK	1
027	PC	76590526	WSHR INTL LK METRIC M4-4	5
028	PC	76590406	WSHR FLT METRIC M4-4.3 I	4
033	PC	76590466	WSHR FLT METRIC	1

REF NUM REV TITLE
95440403 B ** CONTROL PANEL ASSY

FND NUM	U/M	PART NUM	DESCRIPTION	NUM REQ
001	PC	95440301	PCB CONTROL PANEL	1
002	PC	95350102	IC 7404	1
003	PC	95443364	CAP 6.8 UF 35V TANT	1
004	PC	19115400	CAP. FIXED CER. 50 VDC	1
005	PC	24500071	RES 2.2K OHM 50 1/4W	1
006	PC	94380069	SWITCH	2
007	PC	44674515	PANEL CONTROL	1
008	PC	44671712	CZ CONTROL PANEL CABLE A	1
009	PC	44671985	CZ INTERLOCK SWITCH HARN	1
010	PC	76584505	PILLAR HEX METRIC	4
012	PC	76590046	SCR MCH CHS SLT M4X0.7X8	4
013	PC	94277400	TY-RAP	2
014	PC	94380400	LAMP	2
015	PC	94380615	LENS START/STOP	1
016	PC	94380616	LENS FORM FEED	1
017	PC	94380617	LENS TEST PRINT	1
022	FT	94753100	WIRE 24 GA SOLID	1
023	PC	95409400	COVER-CONTROL PANEL-2 SW	1
024	PC	76590110	SCR MCH HEX HD M4X0.7X8	1
025	PC	44672309	BRACKET-SWITCH	1
026	PC	62048207	SWITCH, INTERLOCK	1
027	PC	76590526	WSHR INTL LK METRIC M4-4	5
028	PC	76590406	WSHR FLT METRIC M4-4.3 I	4
033	PC	76590466	WSHR FLT METRIC	1

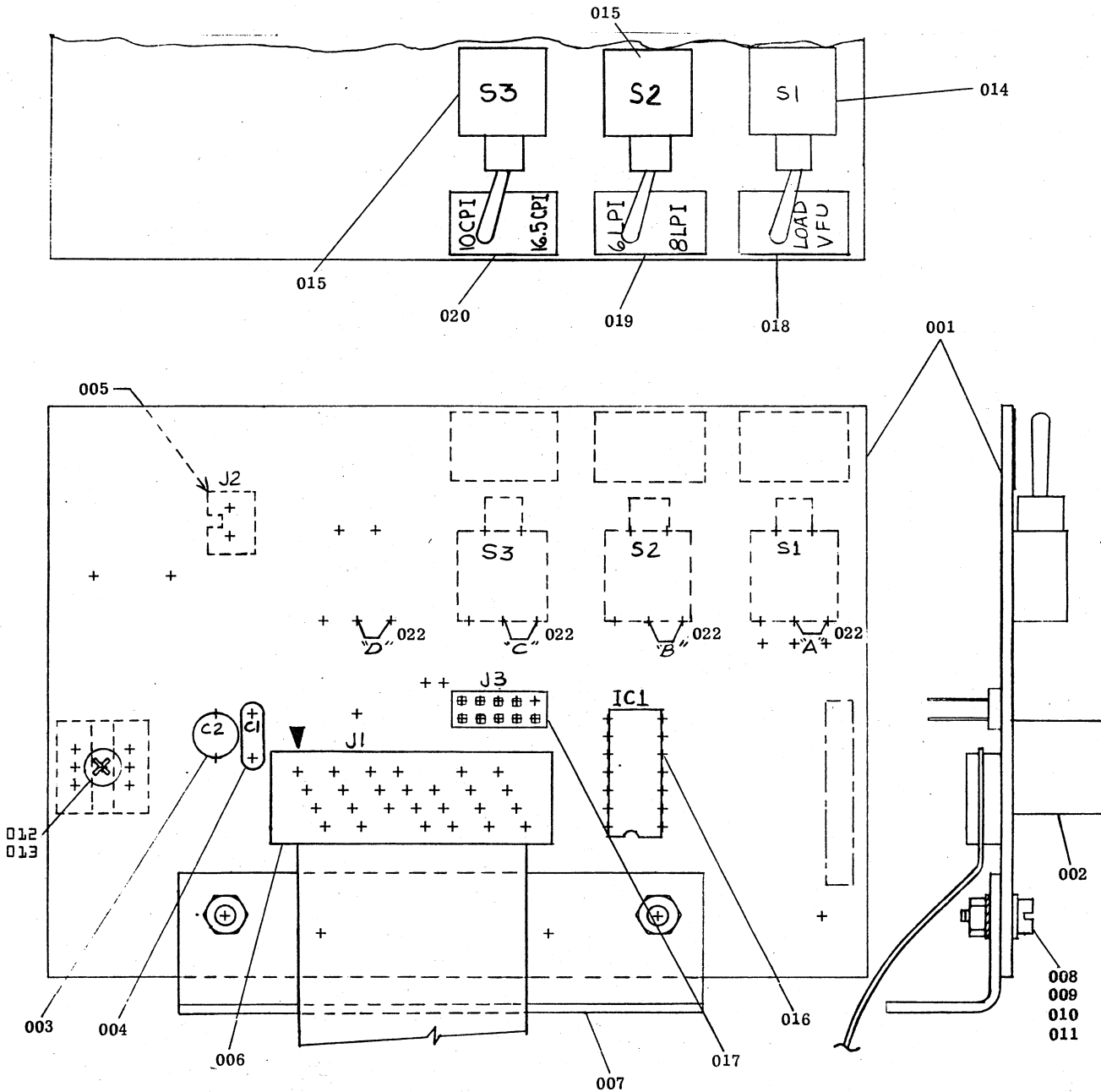
△ UNITS WITH ELECTROSTATIC DISCHARGE USE 44675213 ASSEMBLY CONTROL PANEL ESD SHIELD

SECTION III

PRINTED CIRCUIT BOARDS

Title	Page
VERTICAL TRANSDUCER BOARD	3-2
NEEDLE DRIVE BOARD	3-4
CONTROLLER HEAD LOGIC BOARD PM-70	3-8
CONTROLLER HEAD LOGIC BOARD PM-125	3-8
POWER SUPPLY BOARD PM-70	3-15
POWER SUPPLY BOARD PM-125	3-17
HORIZONTAL TRANSDUCER	3-23

95432100 Thru 95432108 VERTICAL TRANSDUCER ASSEMBLY



5PC1 VERTICAL TRANSDUCER ASSY	SWITCHES				READER		CHIP	JUMPERS				HEADER
	S1 EVFU	S2 6/B LPI	S3 10/16.5 LPI	S4 SPARE	2 CH	4 CH	IC1	A	B	C	D	J3
95432100					X			X				
95432101	X				X							X
95432102		X			X		X	X		X	X	X
95432103					X		X		X	X	X	X
95432104						X	X		X	X	X	X
95432105			X		X		X	X			X	X
95432106	X	X	X		X		X				X	X
95432107	X	X			X		X		X	X		X
95432108		X	X		X		X	X			X	X

95432100 Thru 95432108 VERTICAL TRANSDUCER ASSEMBLY

REF NUM	REV	TITLE
95432100	B	VERTICAL TRANSDUCER ASSEMBLY {COMMON PARTS LIST}
95432101	B	
95432102	B	
95432103	B	
95432104	B	
95432105	B	
95432106	B	
95432107	B	
95432108	B	

FND NUM	U/M	PART NUM	DESCRIPTION	NUM REQ
001	PC	95432001	BD-VERT TRANSDUCER	1
003	PC	95443364	CAP 6.8 UF 35V TANT	1
004	PC	94748400	CAP.01MFD,50V	1
005	PC	95443400	HEADER 2 PIN	1
006	PC	44671713	CZ VERT TRANSDUCER CABLE	1
007	PC	44684471	BRK*Y MTG PAP MOTION DR	1
008	PC	76590046	SCR MCH CHS SLT M4X0.7X8	2
009	PC	76590204	NUT-HEX M4X0.7	2
010	PC	76590406	MSHR FLT METRIC M4-4.3 I	2
011	PC	76590506	MSHR EXT LK METRIC M4-4.	2
012	PC	10127320	SCR PAN HD 4-40 X 1/4 4	1
013	PZ	95125321	LOCKTITE 222	AR

REF NUM	REV	TITLE
95432104	A	**VERTICAL TRANSDUCER ASSY

FND NUM	U/M	PART NUM	DESCRIPTION	NUM REQ
002	PC	95431000	4 CHAN OPTICAL READER	1
016	PC	95350102	IC 7404	1
017	PC	76648925	HEADER WIRE WRAP	1
022	FT	94753100	WIRE 24 GA SOLID	

1

REF NUM	REV	TITLE
95432105	A	**VERTICAL TRANSDUCER ASSY

FND NUM	U/M	PART NUM	DESCRIPTION	NUM REQ
002	PC	95431001	2 CHAN OPTICAL READER	1
015	PC	94817100	SWITCH TOGGLE PC MOUNT	2
016	PC	95350102	IC 7404	1
020	PC	95419004	LABEL-10/16.5 CPI	1
022	FT	94753100	WIRE 24 GA SOLID	.3

REF NUM	REV	TITLE
95432100	A	**VERTICAL TRANSDUCER ASSY

FND NUM	U/M	PART NUM	DESCRIPTION	NUM REQ
002	PC	95431001	2 CHAN OPTICAL READER	1
022	FT	94753100	WIRE 24 GA SOLID	.2

REF NUM	REV	TITLE
95432106	A	**VERTICAL TRANSDUCER ASSY

FND NUM	U/M	PART NUM	DESCRIPTION	NUM REQ
002	PC	95431001	2 CHAN OPTICAL READER	1
014	PC	94817101	SWITCH	1
015	PC	94817100	SWITCH TOGGLE PC MOUNT	2
016	PC	95350102	IC 7404	1
017	PC	76648925	HEADER WIRE WRAP	1
018	PC	95419001	LABEL-LOAD VFU	1
019	PC	95419002	LABEL-6/8 LPI	1
020	PC	95419004	LABEL-10/16.5 CPI	1
022	FT	94753100	WIRE 24 GA SOLID	1

REF NUM	REV	TITLE
95432101	A	**VERTICAL TRANSDUCER ASSY

FND NUM	U/M	PART NUM	DESCRIPTION	NUM REQ
002	PC	95431001	2 CHAN OPTICAL READER	1
014	PC	94817101	SWITCH	1
017	PC	76648925	HEADER WIRE WRAP	1
018	PC	95419001	LABEL-LOAD VFU	1

REF NUM	REV	TITLE
95432107	A	**VERTICAL TRANSDUCER ASSY

FND NUM	U/M	PART NUM	DESCRIPTION	NUM REQ
002	PC	95431001	2 CHAN OPTICAL READER	1
014	PC	94817101	SWITCH	1
015	PC	94817100	SWITCH TOGGLE PC MOUNT	2
016	PC	95350102	IC 7404	1
017	PC	76648925	HEADER WIRE WRAP	1
018	PC	95419001	LABEL-LOAD VFU	1
019	PC	95419002	LABEL-6/8 LPI	1
020	PC	95419004	LABEL-10/16.5 CPI	1
022	FT	94753100	WIRE 24 GA SOLID	.2

REF NUM	REV	TITLE
95432102	A	**VERTICAL TRANSDUCER ASSY

FND NUM	U/M	PART NUM	DESCRIPTION	NUM REQ
002	PC	95431001	2 CHAN OPTICAL READER	1
015	PC	94817100	SWITCH TOGGLE PC MOUNT	2
016	PC	95350102	IC 7404	1
017	PC	76648925	HEADER WIRE WRAP	1
019	PC	95419002	LABEL-6/8 LPI	1
022	FT	94753100	WIRE 24 GA SOLID	.3

REF NUM	REV	TITLE
95432108	A	VERTICAL TRANSDUCER ASSY

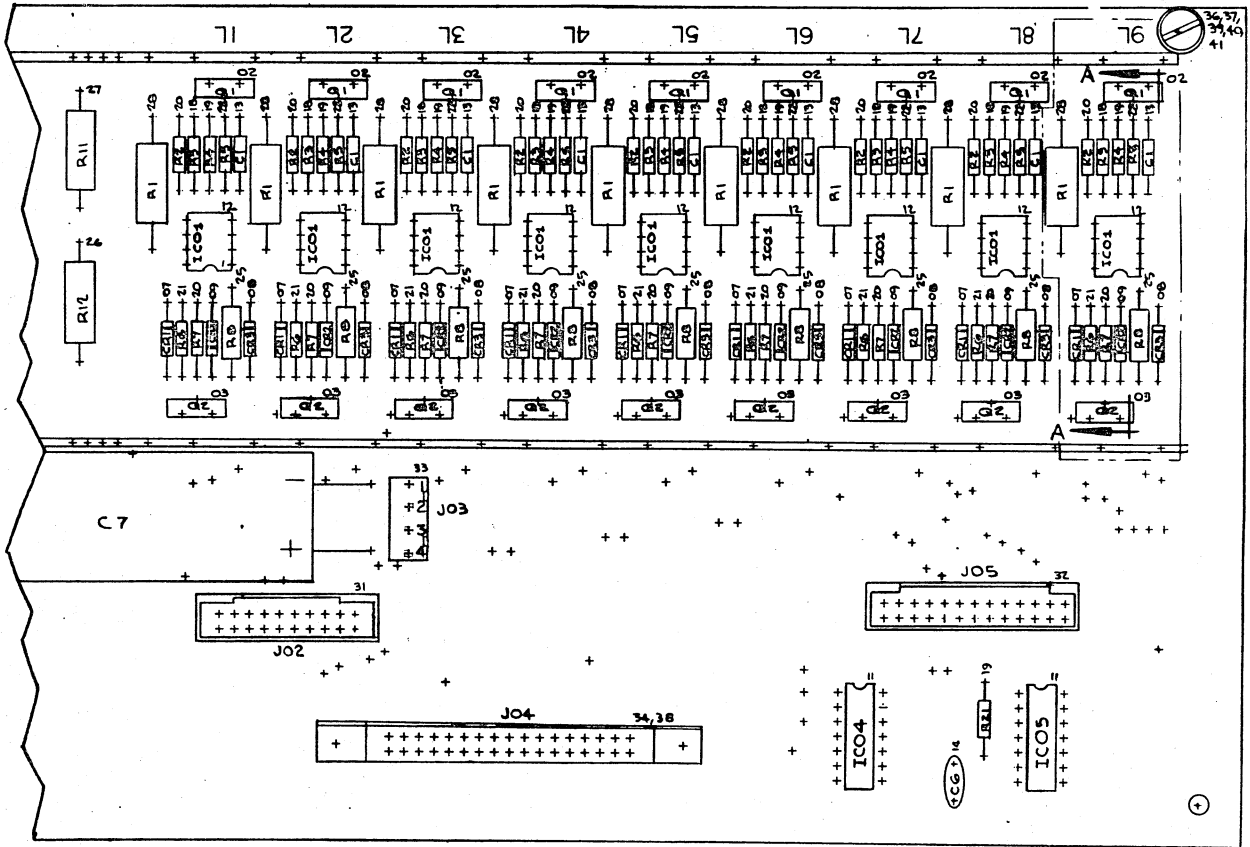
FND NUM	U/M	PART NUM	DESCRIPTION	NUM REQ
002	PC	95431001	2 CHAN OPTICAL READER	1
015	PC	94817100	SWITCH TOGGLE PC MOUNT	2
016	PC	95350102	IC 7404	1
017	PC	76648925	HEADER WIRE WRAP	1
019	PC	95419002	LABEL 6/8 LPI	1
020	PC	95419004	LABEL 10/16.5 CPI	1
022	FT	94753100	WIRE 24 GA SOLID	.2

REF NUM	REV	TITLE
95432103	A	**VERTICAL TRANSDUCER ASSY

FND NUM	U/M	PART NUM	DESCRIPTION	NUM REQ
002	PC	95431001	2 CHAN OPTICAL READER	1
016	PC	95350102	IC 7404	1
017	PC	76648925	HEADER WIRE WRAP	1
022	FT	94753100	WIRE 24 GA SOLID	.3

1 95432108 ASSY USES VERTICAL TRANSDUCER CABLE 44675988

95420200/04/08 NEEDLE DRIVER BOARD -70 LPM (7x7)
 95420201/05/09 NEEDLE DRIVER BOARD -125 LPM (7x7)
 95420202/06/10 NEEDLE DRIVER BOARD -70 LPM (9x9)
 95420203/07/11 NEEDLE DRIVER BOARD -125 LPM (9x9)



NEEDLE DRIVER BOARD ASSEMBLY PART NUMBER	"R" (RIGHT HAND) CIRCUIT COMPONENTS		"L" (LEFT HAND) CIRCUIT COMPONENTS		IC7407 IN LOCATION		CONNECTOR LOCATION		STATUS	REPLACED BY
	1R THRU 7R	1R THRU 9R	1L THRU 7L	1L THRU 9L	1C02	1C03	J01	J05		
95420200			X					X	INACTIVE	95420204
95420201	X		X		X	X	X	X	INACTIVE	95420205
95420202				X				X	INACTIVE	95420206
95420203		X		X	X	X	X	X	INACTIVE	95420207
95420204			X					X	INACTIVE	95420208
95420205	X		X		X	X	X	X	INACTIVE	95420209
95420206				X				X	INACTIVE	95420210
95420207		X		X	X	X	X	X	INACTIVE	95420211
95420208			X					X	ACTIVE	
95420209	X		X		X	X	X	X	ACTIVE	
95420210				X				X	ACTIVE	
95420211		X		X	X	X	X	X	ACTIVE	

95420200/04/08 NEEDLE DRIVER BOARD -70 LPM (7x7)
 95420201/05/09 NEEDLE DRIVER BOARD -125 LPM (7x7)
 95420202/06/10 NEEDLE DRIVER BOARD -70 LPM (9x9)
 95420203/07/11 NEEDLE DRIVER BOARD -125 LPM (9x9)

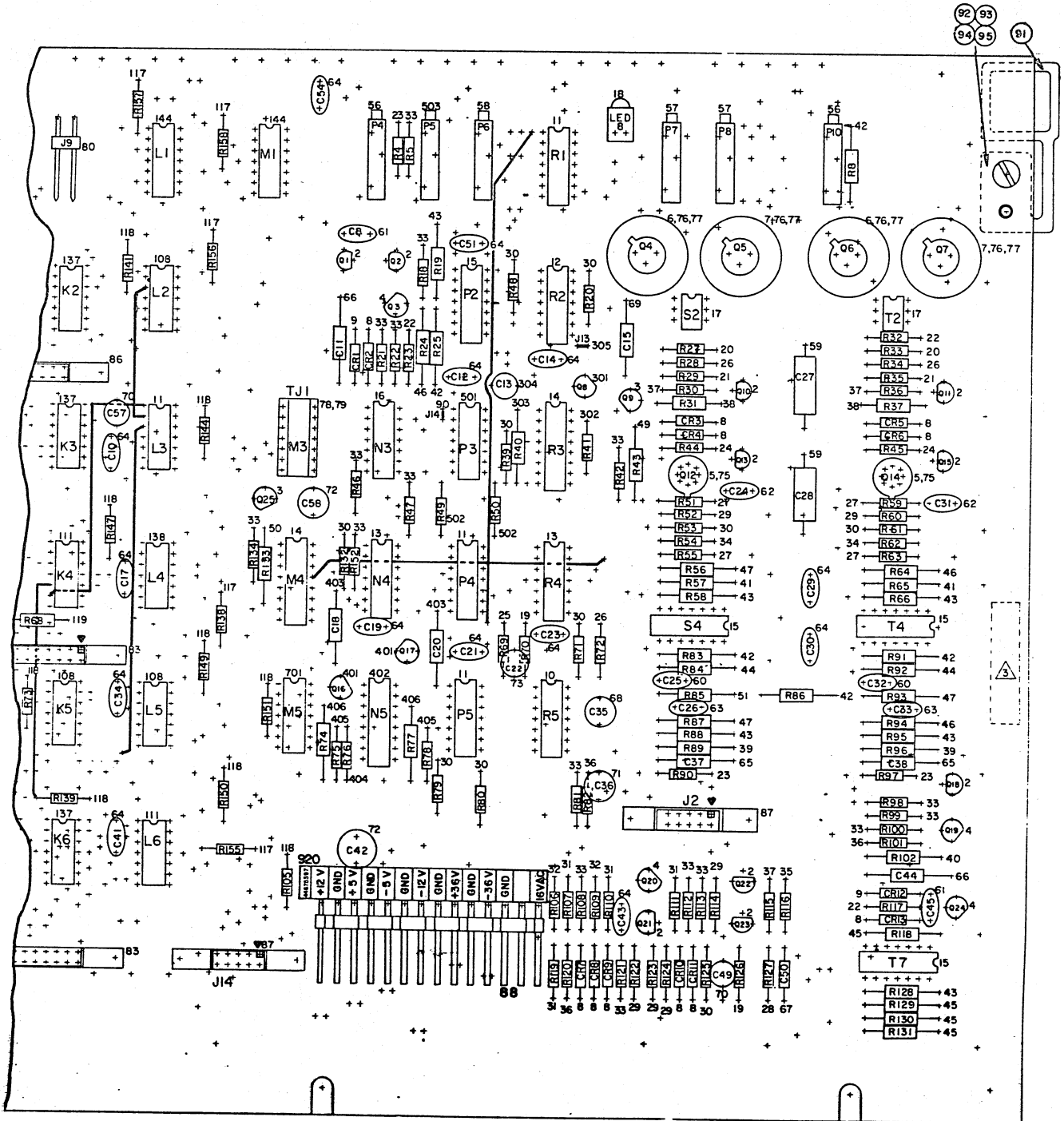
REF NUM	REV	TITLE
95420200/04/08	A A B	**NEEDLE DRIVE BD ASSY-70 LPM (7x7)
95420201/05/09	A A B	**NEEDLE DRIVE BD ASSY-125 LPM (7x7)
95420202/06/10	A A B	**NEEDLE DRIVE BD ASSY -70 LPM (9x9)
95420203/07/11	A A B	**NEEDLE DRIVE BD ASSY-125 LPM (9x9)

95420200/04/08 95420201/05/09 95420202/06/10 95420203/07/11
 70 LPM (7x7) 125 LPM (7x7) 70 LPM (9x9) 125 LPM (9x9)

FND NUM	U/M	PART NUM	DESCRIPTION	NUM REQ	NUM REQ	NUM REQ	NUM REQ
001	PC	95420100	BOARD BLANK	1	1	1	1
③ 001	PC	44680629	BOARD BLANK	1	1	1	1
002	PC	95421100	TRANSISTOR PNP 8203A	7	14	9	18
003	PC	95359400	TRANSISTOR SJE 944	7	14	9	18
004	PC	44671101	TRANSISTOR MPS 8098	3	3	3	3
005	PC	90211401	TRANSISTOR,SIL	1	1	1	1
006	PC	94812600	TRANSISTOR	1	1	1	1
007	PC	92115037	DIODE IN4001 SILICON	7	14	9	18
008	PC	95433500	RECTIFIER FAST RECOVERY	7	14	9	18
009	PC	11803000	DIODE SILICON	7	14	9	18
010	PC	95575000	DIODE MR751	2	2	2	2
011	PC	17184800	IC 7407	2	4	2	4
012	PC	15126301	PROGRAMMABLE POWER SWITCH	7	14	9	18
013	PC	24501720	CAP 150PF 200 50V	7	14	9	18
014	PC	94740400	CAP.01MFD,50V	2	2	2	2
015	PC	17620419	CAP .1 MFD 5020V	1	1	1	1
016	PC	24504339	CAP 6.8 MFD 35V	2	2	2	2
017	PC	44670228	CAP 1700 UF	1	1	1	1
018	PC	24500055	RESISTOR 470 OHMS 1/4W 5	7	14	9	18
019	PC	24500071	RES 2.2K OHM 50 1/4W	12	19	14	23
020	PC	24500087	RESISTOR 10K 1/4W 5	16	30	20	38
021	PC	17705944	RES 51K OHMS 1/4W 50	7	14	9	18
022	PC	17705944	RES 2.2 M 1/2W 5	7	14	9	18
023	PC	95319300	RES 1.5 OHM 1/2W 5~	1	1	1	1
024	PC	24500123	RES 22 OHM 2W 5~	1	1	1	1
025	PC	24500177	RES 3.9K OHMS 1/2 W 50	8	15	10	17
026	PC	24507171	RES 2.2K 1W 5~	1	1	1	1
027	PC	24507175	RES 3.3K 1W 5~	1	1	1	1
028	PC	44671467	RES 0.5 OHM 2W 1~	7	14	9	18
029	PC	18435004	PQT 5K	1	1	1	1
030	PC	44670198	BUSS BAR	2	2	2	2
031	PC	44671434	HEADER 18 PINS	1	1	1	1
032	PC	44671435	HEADER 26 PINS	1	2	1	2
033	PC	95443402	HEADER 4 PINS	1	1	1	1
034	PC	95433302	HEADER SOLDER TAIL 34 PI	1	1	1	1
035	PC	94822100	TRANSISTOR INSULATOR	1	1	1	1
036	PC	94834908	SPACER FIBER 1 INCH	2	2	2	2
037	PC	76590041	SCREW MCH CHS SLT M3X30	2	2	2	2
038	PC	95302715	SCR SELF TAP 4-40 X 1/4	2	2	2	2
039	PC	76590201	NUT-HEX M3X0.5	2	2	2	2
040	PC	76590404	WSHR FLT METRIC M3-3.2 I	2	2	2	2
041	PC	76590504	WSHR EXT LK METRIC M3-3.	2	2	2	2
042	IN	93463555	WIRE STRAND 18 AWG GRN	12	12	12	12
043	PC	93747025	FASTON-TERM	1	1	1	1
044	PC	76643000	RECEPTACLE HOUSING	1	1	1	1
② 045	PC	95596519	RES 510 5W 10%	1	1	1	1
① 046	PC	39903209	EYELET	2	2	2	2
① 047	FT	52629939	WIRE SOLID 24 AWG WHT	.500	.500	.500	.500

- ① USED ON TABS 04, THRU 07
- ② USED ON TABS 04 THRU 11
- ③ USED ON TABS 08 THRU 11

95440100 Thru 95440112 CONTROLLER AND HEAD LOGIC
 95440114 Thru 95440124 CONTROLLER AND HEAD LOGIC
 95440125 Thru 95440129 CONTROLLER AND HEAD LOGIC
 95440130 Thru 95440145 CONTROLLER AND HEAD LOGIC



NOTE: ASSEMBLIES 95440130 THRU 95440144 HAVE JUMPER J3-1 TO J3-2
 REMOVED AND ADDED JUMPERS J3-2 TO K2-11 AND J3-4 TO G2-2.

95440100 Thru 95440112 CONTROLLER AND HEAD LOGIC
 95440114 Thru 95440124 CONTROLLER AND HEAD LOGIC
 95440125 Thru 95440129 CONTROLLER AND HEAD LOGIC
 95440130 Thru 95440145 CONTROLLER AND HEAD LOGIC

REF NUM REV TITLE
 95440199 B **CONTROLLER AND HEAD LOGIC (COMMON)

FND NUM	U/M	PART NUM	DESCRIPTION	NUM REQ	FND NUM	U/M	PART NUM	DESCRIPTION	NUM REQ
001	PC	95440004	PCB CONTROLLER & HD LOGIC	1	071	PC	95443306	CAP 22 UF TANT	1
002	PC	44671101	TRANSISTOR MPS 8098	10	072	PC	95443310	47MF 6V	4
003	PC	94824000	TRANSISTOR 2N3565	2	073	PC	95443358	CAP-2.2MF 35V	1
004	PC	50211401	TRANSISTOR,SIL	4	075	PC	94335903	TRANSISTOR INSUL	2
005	PC	44671174	DUAL PNP TRANSISTOR MD 8002	2	076	PC	94822100	TRANSISTOR INSULATOR	4
006	PC	92162022	TRANSISTOR 2N2102	2	077	PC	95873300	HEAT SINK	4
007	PC	94812600	TRANSISTOR	2	078	PC	51848400	14 POS. IC SOCKET	1
008	PC	11803000	DIODE SILICON	11	079	PC	44671815	IC JUMPER 14 PIN	1
009	PC	15101005	DIODE ZENER IN707A	2	080	PC	95443451	CONN 2 POS	1
010	PC	15111100	IC 74132	1	082	PC	76648900	HEADER 4 POS	1
011	PC	36186800	IC 7400	4	083	PC	95433302	HEADER SOLDER TAIL 34 PI	3
012	PC	95350102	IC 7404	2	084	PC	76648924	HEADER 6POS	1
013	PC	15109600	CHIP 7416	2	086	PC	95433301	HEADER 26 PINS	2
014	PC	15104300	IC-9602	2	087	PC	95433305	HEADER-SOLDER TAIL 10 PD	2
015	PC	51812800	IC DUAL OP-AMP 747	4	088	PC	95443488	CONNECTOR 14 POS	1
016	PC	44670580	IC 4066	1	089	PC	95302715	SCR SELF TAP 4-40 X 1/4	12
017	PC	44670674	OPTICAL COUPLER	2	090	FT	52629929	WIRE SOLID 26 AWG WHT	AR
018	PC	44670963	L E D	1	091	PC	44671917	BOARD LATCH	2
019	PC	24500019	RESISTOR 10 OHMS 1/4W 5	2	092	PC	76590034	SCR MCH CHS SLT M3X0.5X12	2
020	PC	24500017	RESISTOR 12 OHM 5- 1/4W	2	093	PC	76590201	NUT-HEX M3X0.5	2
021	PC	24500028	RESISTOR 36 OHM 1/4 W 5-	2	094	PC	76590404	WSHR FLT METRIC M3-3.2 I	2
022	PC	24500039	RESISTOR 100 OHMS 1/4W 5	3	095	PC	76590504	WSHR EXT LK METRIC M3-3.	2
023	PC	24500044	RESISTOR 160 OHMS 1/4W 5	3	100	PC	15153500	8224 CLOCK GENERATOR	1
024	PC	24500048	RESISTOR 240 OHMS 1/4W 5	2	101	PC	15138300	8080 MICRO PROCESSOR	1
025	PC	24500051	RESISTOR 330 OHMS 1/4W 5	1	102	PC	15153400	8228 SYS CONTROLLER	1
026	PC	24500055	RESISTOR 470 OHMS 1/4W 5	3	103	PC	44672097	IC 74LS154	1
027	PC	24500058	RES 620 OHM 50 1/4W	4	104	PC	15151600	IC 2111	4
028	PC	24500069	RESISTOR 1.0K OHMS 1/4W	1	105	PC	15153900	2708 PROM	2
029	PC	24500070	RESISTOR 2K 1/4W 5	6	106	PC	15154427	8255A I/O PORT	3
030	PC	24500071	RES 2.2K OHM 50 1/4W	11	108	PC	15114700	IC 7432	3
031	PC	24500079	RESISTOR 4.7K OHMS 1/4W	4	109	PC	15145100	74LS04	1
032	PC	24500080	RESISTOR 5.1K 1/4W 5	2	110	PC	15146200	74LS32	2
033	PC	24500087	RESISTOR 10K 1/4W 5	18	111	PC	15124800	IC-7414	6
034	PC	24500094	RESISTOR 20K 1/4W 5	3	112	PC	15107000	IC 7437	2
035	PC	24500095	RESISTOR 22K OHMS 1/4W 5	1	113	PC	94791600	75453 TTL DUAL DRIVER	1
036	PC	24500097	RESISTOR 27K OHMS 1/4W 5	3	114	PC	15105700	IC HC 4024	1
037	PC	17705912	RES 100K OHMS 1/4W 50	4	115	PC	24500065	RESISTOR 1.2K 1/4W 5	2
038	PC	24500183	RESISTOR 6.8K OHMS 1/2W5	2	116	PC	24500063	RESISTOR 1K 1/4W 5	1
039	PC	65632205	RESISTOR 1.37K 1/4W 1-	2	117	PC	24500078	RESISTOR 4.3K OHMS 1/4W	14
040	PC	65632221	RESISTOR 2K 1/4W 1-	1	118	PC	24500075	RESISTOR 3.3K OHMS 1/4W	13
041	PC	65632254	RESISTOR 4.42K 1/4W 1-	2	119	PC	24500156	RES 75 OHMS 1/2W 5	2
042	PC	65632288	RESISTOR 10K 1/4W 1-	5	120	PC	94798531	CAP .27 UF 100V 50	1
043	PC	65632342	RES 36.5KOHMS 1/4W 10	6	121	PC	94798517	CAP .022MFD 100V 50	3
044	PC	65632353	RESISTOR 47.5K 1/4W 1-	2	122	PC	95443327	10MF 15V TANT	1
045	PC	65632356	RESISTOR 51.1 1/4W 1-	4	123	PC	94842103	CAP 6 PFD	1
046	PC	65632398	RESISTOR 140K 1/4W 1-	3	124	PC	44670461	S.I.P. 220/220 1/4 W	2
047	PC	65632405	RESISTOR 165K 1/4W 1-	3	125	PC	44670458	S.I.P. 3.3K 1/4 W	1
049	PC	65632410	RESISTOR 187K	1	126	PC	44670974	RES/CAP NETWORK	3
050	PC	65632422	RESISTOR 249K 1/4W 1-	1	127	PC	83452205	SWITCH NET 8 POS	1
051	PC	65632449	RESISTOR 475K 1/4W 1-	1	128	PC	94843311	POT 20K OHMS 3/4W 100	3
056	PC	94843307	POT 1K OHMS 3/4W 100	2	129	PC	94817101	SWITCH	1
057	PC	94843313	POT 50K OHMS 3/4W 100	2	131	PC	95352000	CRYSTAL HIGH FREQUENCY	1
058	PC	94843315	POT 200K	1	132	PC	95352001	CRYSTAL 18 MHZ	1
059	PC	94843301	CAP. .1MFD 100 80V	2	133	PC	51848404	SOCKET 24 PIN IC	3
060	PC	94842127	CAP 100PFD 5 600V	2	134	PC	51848405	28 PIN IC SOCKET	1
061	PC	94842141	CAP 390PF	2	135	PC	51848406	40 PIN IC SOCKET	4
062	PC	94842143	CAP 470 PF	2	136	PC	15139100	IC 74221 SPEC	2
063	PC	94842154	CAP .001MFD 600VDC	2	137	PC	95338000	IC-7408	4
064	PC	94740400	CAP.01MFD,50V	24	138	PC	15104800	IC 7474	2
065	PC	95305064	CAP .056UF	2	140	PC	44670482	JUMPER P.C.B.	7
066	PC	24521158	CAP .33UF 50 100V	2	142	FT	52629909	WIRE SOLID 30 AWG WHT	1
067	PC	17620426	CAP 1.0 MFD	1	143	PC	24500083	RESISTOR 6.0K 1/4W5	1
068	PC	95443354	CAP 1 UF TANT 10 35 V	1	144	PC	15104200	IC 7403	2
069	PC	17620409	CAP 4.7 UF TANT	1					
070	PC	95443364	CAP 6.8 UF 35V TANT	3					

95440100 Thru 95440112 CONTROLLER AND HEAD LOGIC
 95440114 Thru 95440124 CONTROLLER AND HEAD LOGIC
 95440125 Thru 95440129 CONTROLLER AND HEAD LOGIC
 95440130 Thru 95440145 CONTROLLER AND HEAD LOGIC

REF NUM	REV	TITLE	REF NUM	REV	TITLE
95440114	INA	CONTROLLER AND HEAD LOGIC	95440118	INA	CONTROLLER AND HEAD LOGIC
95440130	01		95440134	01	
95440130	01		95440145	A	
FND U/M PART NUM	DESCRIPTION	NUM REQ	FND U/M PART NUM	DESCRIPTION	NUM REQ
950 PC 95440199	CONT. AND HEAD LOGIC {COMMON}	1	950 PC 95440199	CONT. AND HEAD LOGIC {COMMON}	1

REF NUM	REV	TITLE	REF NUM	REV	TITLE
95440118	INA	CONTROLLER AND HEAD LOGIC	95440134	01	
95440131	01				
FND U/M PART NUM	DESCRIPTION	NUM REQ	FND U/M PART NUM	DESCRIPTION	NUM REQ
950 PC 95440199	CONT. AND HEAD LOGIC {COMMON}	1	950 PC 95440199	CONT. AND HEAD LOGIC {COMMON}	1
400 PC 44671996	REP RATE LIMIT OPTION	1	400 PC 44671996	REP RATE LIMIT OPTION	1
301 PC 94824000	TRANSISTOR 2N3565	2	301 PC 94824000	TRANSISTOR 2N3565	2
402 PC 15104300	IC-9602	1	402 PC 15104300	IC-9602	1
403 PC 17620409	CAP 4.7 UF TANT	2	403 PC 17620409	CAP 4.7 UF TANT	2
404 PC 24500071	RES 2.2K OHM 50 1/4W	1	404 PC 24500071	RES 2.2K OHM 50 1/4W	1
405 PC 24500087	RESISTOR 10K 1/4W 5	2	405 PC 24500087	RESISTOR 10K 1/4W 5	2
406 PC 65632422	RESISTOR 249K 1/4W 1	2	406 PC 65632422	RESISTOR 249K 1/4W 1	2
500 PC 44672753	PORT 4 OPTION	1	500 PC 44672753	PORT 4 OPTION	1
601 PC 15164427	8255A I/O PORT	1	601 PC 15164427	8255A I/O PORT	1
602 PC 51848406	40 PIN IC SOCKET	1	602 PC 51848406	40 PIN IC SOCKET	1
800 PC 44673328	EXPANDED PROGRAM OPTION	1	800 PC 44673328	EXPANDED PROGRAM OPTION	1
801 PC 51848404	SOCKET 24 PIN IC	2	801 PC 51848404	SOCKET 24 PIN IC	2

REF NUM	REV	TITLE	REF NUM	REV	TITLE
95440116	INA	CONTROLLER AND HEAD LOGIC	95440132	REWORK	
95440125	INA		95440141	01	
FND U/M PART NUM	DESCRIPTION	NUM REQ	FND U/M PART NUM	DESCRIPTION	NUM REQ
950 PC 95440199	CONT. AND HEAD LOGIC {COMMON}	1	950 PC 95440199	CONT. AND HEAD LOGIC {COMMON}	1
951 PC 94740400	CAP .01 MFD 5V	1	951 PC 94740400	CAP .01 MFD 5V	1
600 PC 44672753	PORT 4 OPTION	1	600 PC 44672753	PORT 4 OPTION	1
601 PC 15164427	8255A I/O PORT	1	601 PC 15164427	8255A I/O PORT	1
602 PC 51848406	40 PIN IC SOCKET	1	602 PC 51848406	40 PIN IC SOCKET	1
700 PC 44672754	AUTO POWER RECOVERY	1	700 PC 44672754	AUTO POWER RECOVERY	1
701 PC 62031200	IC 7438	1	701 PC 62031200	IC 7438	1
800 PC 44673328	EXPANDED PROGRAM OPTION	1	800 PC 44673328	EXPANDED PROGRAM OPTION	1
801 PC 51848404	SOCKET 24 PIN IC	2	801 PC 51848404	SOCKET 24 PIN IC	2

REF NUM	REV	TITLE	REF NUM	REV	TITLE
95440117	INA	CONTROLLER AND HEAD LOGIC	95440133	REWORK	
95440126	INA		95440142	01	
FND U/M PART NUM	DESCRIPTION	NUM REQ	FND U/M PART NUM	DESCRIPTION	NUM REQ
950 PC 95440199	CONT AND HEAD LOGIC {COMMON}	1	950 PC 95440199	CONT AND HEAD LOGIC {COMMON}	1
400 PC 44671996	REP RATE LIMIT OPTION	1	400 PC 44671996	REP RATE LIMIT OPTION	1
401 PC 94824000	TRANSISTOR 2N3565	2	401 PC 94824000	TRANSISTOR 2N3565	2
402 PC 15104300	IC 9602	1	402 PC 15104300	IC 9602	1
403 PC 17620409	CAP 4.7 UF TANT	2	403 PC 17620409	CAP 4.7 UF TANT	2
404 PC 24500071	RES 2.2K OHM 50 1/4 W	1	404 PC 24500071	RES 2.2K OHM 50 1/4 W	1
405 PC 24500087	RESISTOR 10K 1/4W 5	2	405 PC 24500087	RESISTOR 10K 1/4W 5	2
406 PC 65632422	RESISTOR 249K 1/4W	2	406 PC 65632422	RESISTOR 249K 1/4W	2
500 PC 44671997	COMPRESSED PITCH OPTION	1	500 PC 44671997	COMPRESSED PITCH OPTION	1
501 PC 44670580	IC 4066	1	501 PC 44670580	IC 4066	1
502 PC 24500087	RESISTOR 10K 1/4W 5	1	502 PC 24500087	RESISTOR 10K 1/4W 5	1
503 PC 94843307	POT 1K OHMS 3/4W 10	2	503 PC 94843307	POT 1K OHMS 3/4W 10	2
600 PC 44672753	PORT 4 OPTION	1	600 PC 44672753	PORT 4 OPTION	1
601 PC 15164427	8255A I/O PORT	1	601 PC 15164427	8255A I/O PORT	1
602 PC 51848406	40 PIN IC SOCKET	1	602 PC 51848406	40 PIN IC SOCKET	1
700 PC 44672754	AUTO POWER RECOVERY	1	700 PC 44672754	AUTO POWER RECOVERY	1
701 PC 62031200	IC 7438	1	701 PC 62031200	IC 7438	1
800 PC 44673328	EXPANDED PROGRAM OPTION	1	800 PC 44673328	EXPANDED PROGRAM OPTION	1
801 PC 51848404	SOCKET 24 PIN IC	2	801 PC 51848404	SOCKET 24 PIN IC	2
951 PC 94740400	CAP .01 MFD 5V	1	951 PC 94740400	CAP .01 MFD 5V	1

REF NUM	REV	TITLE	REF NUM	REV	TITLE
95440119	INA	CONTROLLER AND HEAD LOGIC	95440135	01	
FND U/M PART NUM	DESCRIPTION	NUM REQ	FND U/M PART NUM	DESCRIPTION	NUM REQ
950 PC 95440199	CONT. AND HEAD LOGIC {COMMON}	1	950 PC 95440199	CONT. AND HEAD LOGIC {COMMON}	1
200 PC 44671998	LED DIAGNOSTICS OPTION	1	200 PC 44671998	LED DIAGNOSTICS OPTION	1
201 PC 15109600	CHIP 7416	1	201 PC 15109600	CHIP 7416	1
202 PC 24500039	RESISTOR 100 OHMS 1/4W	6	202 PC 24500039	RESISTOR 100 OHMS 1/4W	6
203 PC 44670961	DIODE LED INDICATOR	1	203 PC 44670961	DIODE LED INDICATOR	1
300 PC 44671995	PAPER RUNAWAY OPTION	1	300 PC 44671995	PAPER RUNAWAY OPTION	1
301 PC 94824000	TRANSISTOR 2N3565	1	301 PC 94824000	TRANSISTOR 2N3565	1
302 PC 24500087	RESISTOR 10K 1/4W 5	1	302 PC 24500087	RESISTOR 10K 1/4W 5	1
303 PC 65632422	RESISTOR 249K 1/4W 1	1	303 PC 65632422	RESISTOR 249K 1/4W 1	1
304 PC 95443318	CAP 220 UF 6V TANT	1	304 PC 95443318	CAP 220 UF 6V TANT	1
305 PC 94753100	WIRE 24 GA SOLID	1	305 PC 94753100	WIRE 24 GA SOLID	1
400 PC 44671996	REP RATE LIMIT OPTION	1	400 PC 44671996	REP RATE LIMIT OPTION	1
401 PC 94824000	TRANSISTOR 2N3565	2	401 PC 94824000	TRANSISTOR 2N3565	2
402 PC 15104300	IC-9602	1	402 PC 15104300	IC-9602	1
403 PC 17620409	CAP 4.7 UF TANT	2	403 PC 17620409	CAP 4.7 UF TANT	2
404 PC 24500071	RES 2.2K OHM 50 1/4W	1	404 PC 24500071	RES 2.2K OHM 50 1/4W	1
405 PC 24500087	RESISTOR 10K 1/4W 5	2	405 PC 24500087	RESISTOR 10K 1/4W 5	2
406 PC 65632422	RESISTOR 249K 1/4W 1	2	406 PC 65632422	RESISTOR 249K 1/4W 1	2
500 PC 44671997	COMPRESSED PITCH OPTION	1	500 PC 44671997	COMPRESSED PITCH OPTION	1
501 PC 44670580	IC 4066	1	501 PC 44670580	IC 4066	1
502 PC 24500087	RESISTOR 10K 1/4W	2	502 PC 24500087	RESISTOR 10K 1/4W	2
503 PC 94843307	POT 1K OHMS 3/4W 10	1	503 PC 94843307	POT 1K OHMS 3/4W 10	1
600 PC 44672753	PORT 4 OPTION	1	600 PC 44672753	PORT 4 OPTION	1
601 PC 15164427	8255A I/O PORT	1	601 PC 15164427	8255A I/O PORT	1
602 PC 51848406	40 PIN IC SOCKET	1	602 PC 51848406	40 PIN IC SOCKET	1
800 PC 44673328	EXPANDED PROGRAM OPTION	1	800 PC 44673328	EXPANDED PROGRAM OPTION	1
801 PC 51848404	SOCKET 24 PIN IC	2	801 PC 51848404	SOCKET 24 PIN IC	2
901 PC 51848404	SOCKET 24 PIN {LOC. FL}	1	901 PC 51848404	SOCKET 24 PIN {LOC. FL}	1

REF NUM	REV	TITLE	REF NUM	REV	TITLE
95440120	INA	CONTROLLER AND HEAD LOGIC	95440136	01	
FND U/M PART NUM	DESCRIPTION	NUM REQ	FND U/M PART NUM	DESCRIPTION	NUM REQ
950 PC 95440199	CONT. AND HEAD LOGIC {COMMON}	1	950 PC 95440199	CONT. AND HEAD LOGIC {COMMON}	1
250 PC 44672756	LED DIAGNOSTICS OPT-OFF BRD	1	250 PC 44672756	LED DIAGNOSTICS OPT-OFF BRD	1
201 PC 15109600	CHIP 7416	1	201 PC 15109600	CHIP 7416	1
202 PC 24500039	RESISTOR 100 OHMS 1/4W 5	6	202 PC 24500039	RESISTOR 100 OHMS 1/4W 5	6
251 PC 95433305	HEADER-SOLDER TAIL 10 POS	1	251 PC 95433305	HEADER-SOLDER TAIL 10 POS	1
300 PC 44671995	PAPER RUNAWAY OPTION	1	300 PC 44671995	PAPER RUNAWAY OPTION	1
301 PC 94824000	TRANSISTOR 2N3565	1	301 PC 94824000	TRANSISTOR 2N3565	1
302 PC 24500087	RESISTOR 10K 1/4W 5	1	302 PC 24500087	RESISTOR 10K 1/4W 5	1
303 PC 65632422	RESISTOR 249K 1/4W 1	1	303 PC 65632422	RESISTOR 249K 1/4W 1	1
304 PC 95443318	CAP 220 UF 6V TANT	1	304 PC 95443318	CAP 220 UF 6V TANT	1
305 PC 94753100	WIRE 24 GA SOLID	1	305 PC 94753100	WIRE 24 GA SOLID	1
400 PC 44671996	REP RATE LIMIT OPTION	1	400 PC 44671996	REP RATE LIMIT OPTION	1
401 PC 94824000	TRANSISTOR 2N3565	2	401 PC 94824000	TRANSISTOR 2N3565	2
402 PC 15104300	IC-9602	1	402 PC 15104300	IC-9602	1

REF NUM	REV	TITLE	REF NUM	REV	TITLE
95440120	INA	CONTROLLER AND HEAD LOGIC	95440136	01	
FND U/M PART NUM	DESCRIPTION	NUM REQ	FND U/M PART NUM	DESCRIPTION	NUM REQ
950 PC 95440199	CONT. AND HEAD LOGIC {COMMON}	1	950 PC 95440199	CONT. AND HEAD LOGIC {COMMON}	1
250 PC 44672756	LED DIAGNOSTICS OPT-OFF BRD	1	250 PC 44672756	LED DIAGNOSTICS OPT-OFF BRD	1
201 PC 15109600	CHIP 7416	1	201 PC 15109600	CHIP 7416	1
202 PC 24500039	RESISTOR 100 OHMS 1/4W 5	6	202 PC 24500039	RESISTOR 100 OHMS 1/4W 5	6
251 PC 95433305	HEADER-SOLDER TAIL 10 POS	1	251 PC 95433305	HEADER-SOLDER TAIL 10 POS	1
300 PC 44671995	PAPER RUNAWAY OPTION	1	300 PC 44671995	PAPER RUNAWAY OPTION	1
301 PC 94824000	TRANSISTOR 2N3565	1	301 PC 94824000	TRANSISTOR 2N3565	1
302 PC 24500087	RESISTOR 10K 1/4W 5	1	302 PC 24500087	RESISTOR 10K 1/4W 5	1
303 PC 65632422	RESISTOR 249K 1/4W 1	1	303 PC 65632422	RESISTOR 249K 1/4W 1	1
304 PC 95443318	CAP 220 UF 6V TANT	1	304 PC 95443318	CAP 220 UF 6V TANT	1
305 PC 94753100	WIRE 24 GA SOLID	1	305 PC 94753100	WIRE 24 GA SOLID	1
400 PC 44671996	REP RATE LIMIT OPTION	1	400 PC 44671996	REP RATE LIMIT OPTION	1
401 PC 94824000	TRANSISTOR 2N3565	2	401 PC 94824000	TRANSISTOR 2N3565	2
402 PC 15104300	IC-9602	1	402 PC 15104300	IC-9602	1

{Continued on next page}

95440100 Thru 95440112 CONTROLLER AND HEAD LOGIC
 95440113 Thru 95440124 CONTROLLER AND HEAD LOGIC
 95440125 Thru 95440129 CONTROLLER AND HEAD LOGIC
 95440130 Thru 95440144 CONTROLLER AND HEAD LOGIC

{95440120 Continued}
 {95440136 CONTINUED}

REF NUM	REV	TITLE	NUM REQ		
95440122	INA	CONTROLLER AND HEAD LOGIC			
95440137	01				
FND	NUM	U/M	PART NUM	DESCRIPTION	NUM REQ
403	PC		17620409	CAP 4.7 UF TANT	2
404	PC		24500071	RES 2.2K OHM 50 1/4W	1
405	PC		24500087	RESISTOR 10K 1/4W 1	2
406	PC		65632422	RESISTOR 249K 1/4W 1	2
500	PC		44671997	COMPRESSED PITCH OPTION	1
501	PC		44673580	IC 4066	1
502	PC		24500087	RESISTOR 10K 1/4W 5	2
503	PC		94843307	POT 1K OHMS 5/4W 10	1
600	PC		44672753	PORT 4 OPTION	1
601	PC		15144477	8P55A I/O PORT	1
602	PC		51848406	40 PIN IC SOCKET	1
800	PC		44673328	EXPANDED PROGRAM OPTION	1
801	PC		51848404	SOCKET 24 PIN IC	2

REF NUM	REV	TITLE	NUM REQ		
95440122	INA	CONTROLLER AND HEAD LOGIC			
95440137	01				
FND	NUM	U/M	PART NUM	DESCRIPTION	NUM REQ
920	PC		44675397	LABEL VOLTAGE I.D.	1
927	PC		95440199	CONT. AND HEAD LOGIC (COMMON)	1
133	PC		51848404	SOCKET 24 PIN	1
251	PC		44677756	LED DIAGNOSTICS OPT-OFF B'D	1
201	PC		15109600	CHIP 7416	1
202	PC		24500039	RESISTOR 100 OHMS 1/4W 5	6
251	PC		95433305	HEATER-LVL 2 TAIL 10 PCS	1
300	PC		44671995	PAPER RUNAWAY OPTION	1
301	PC		94824000	TRANSISTOR 2N3565	1
302	PC		24500087	RESISTOR 10K 1/4W 5	1
307	PC		65632422	RESISTOR 249K 1/4W 1	1
304	PC		95447718	CAP 220 UF 6V TANT	1
305	PC		94753100	WIRE 24 GA SOLID	1
400	PC		44671996	REP RATE LIMIT OPTION	1
401	PC		94824000	TRANSISTOR 2N3565	2
402	PC		15104300	IC-9602	1

REF NUM	REV	TITLE	NUM REQ		
95440122	INA	CONTROLLER AND HEAD LOGIC			
95440138	01				
FND	NUM	U/M	PART NUM	DESCRIPTION	NUM REQ
950	PC		95440199	**CONTROLLER-COMMON	1
200	PC		44671998	LED DIAGNOSTICS OPTION	1
201	PC		15109600	CHIP 7416	1
202	PC		24500039	RESISTOR 100 OHM 1/4W	6
203	PC		44670961	DIC LED INDICATOR	6
300	PC		44671995	PAPER RUNAWAY OPTION	1
301	PC		94824000	TRANSISTOR 2N3565	1
302	PC		24500087	RESISTOR 10K 1/4W 5	1
303	PC		65632422	RESISTOR 249K 1/4W 1	1
304	PC		95447718	CAP 220 UF 6V TANT	1
305	PC		94753100	WIRE 24G A SOLID	1
400	PC		44671996	REP RATE LIMIT OPTION	1
401	PC		94824000	TRANSISTOR 2N3565	2
402	PC		15104300	IC 9602	1
403	PC		17620409	CAP 4.7 UF TANT	2
404	PC		24500071	RES 2.2K OHM 50 1/4W	1
405	PC		24500087	RESISTOR 10K 1/4W 5	2
406	PC		65632422	RESISTOR 249K 1/4W 1	2
500	PC		44671997	COMPRESSED PITCH OPTION	1
501	PC		4670580	IC 4066	1
502	PC		24500087	RESISTOR 10K 1/4W 5	1
507	PC		94843307	POT 1K OHM 5/4 W 10	2

REF NUM	REV	TITLE	NUM REQ		
95440123	INA	CONTROLLER AND HEAD LOGIC			
95440139	01				
FND	NUM	U/M	PART NUM	DESCRIPTION	NUM REQ
950	PC		95440199	CONT. AND HEAD LOGIC (COMMON)	1
300	PC		44671995	PAPER RUNAWAY OPTION	1
301	PC		94824000	TRANSISTOR 2N3565	1
302	PC		24500087	RESISTOR 10K 1/4W 5	1
303	PC		65632422	RESISTOR 249K 1/4W 1	1
374	PC		95443318	CAP 220 UF 6V TANT	1
305	PC		95753100	WIRE 24 GA SOLID	1
400	PC		44671996	REP RATE LIMIT OPTION	1
401	PC		94824000	TRANSISTOR 2N3565	2
402	PC		15104300	IC-9602	1

REF NUM	REV	TITLE	NUM REQ		
95440124	INA	CONTROLLER AND HEAD LOGIC			
95440140	01				
FND	NUM	U/M	PART NUM	DESCRIPTION	NUM REQ
750	PC		95440199	**CONTROLLER-COMMON	1
300	PC		44671995	PAPER RUNAWAY OPTION	1
301	PC		94824000	TRANSISTOR 2N3565	1
302	PC		24500087	RESISTOR 10K 1/4W 5	1
303	PC		65632422	RESISTOR 249K 1/4W 1	1
304	PC		95443318	CAP 220 UF 6V TANT	1
305	PC		94753100	WIRE 24G A SOLID	1

95440100 Thru 95440112 CONTROLLER AND HEAD LOGIC
 95440114 Thru 95440124 CONTROLLER AND HEAD LOGIC
 95440125 Thru 95440129 CONTROLLER AND HEAD LOGIC
 95449139 Thru 95440144 CONTROLLER AND HEAD LOGIC


REF NUM	REV	TITLE	REF NUM	REV	TITLE
95440127	01	CONTROLLER AND HEAD LOGIC	95440129	INA	CONTROLLER AND HEAD LOGIC
			95440144	01	

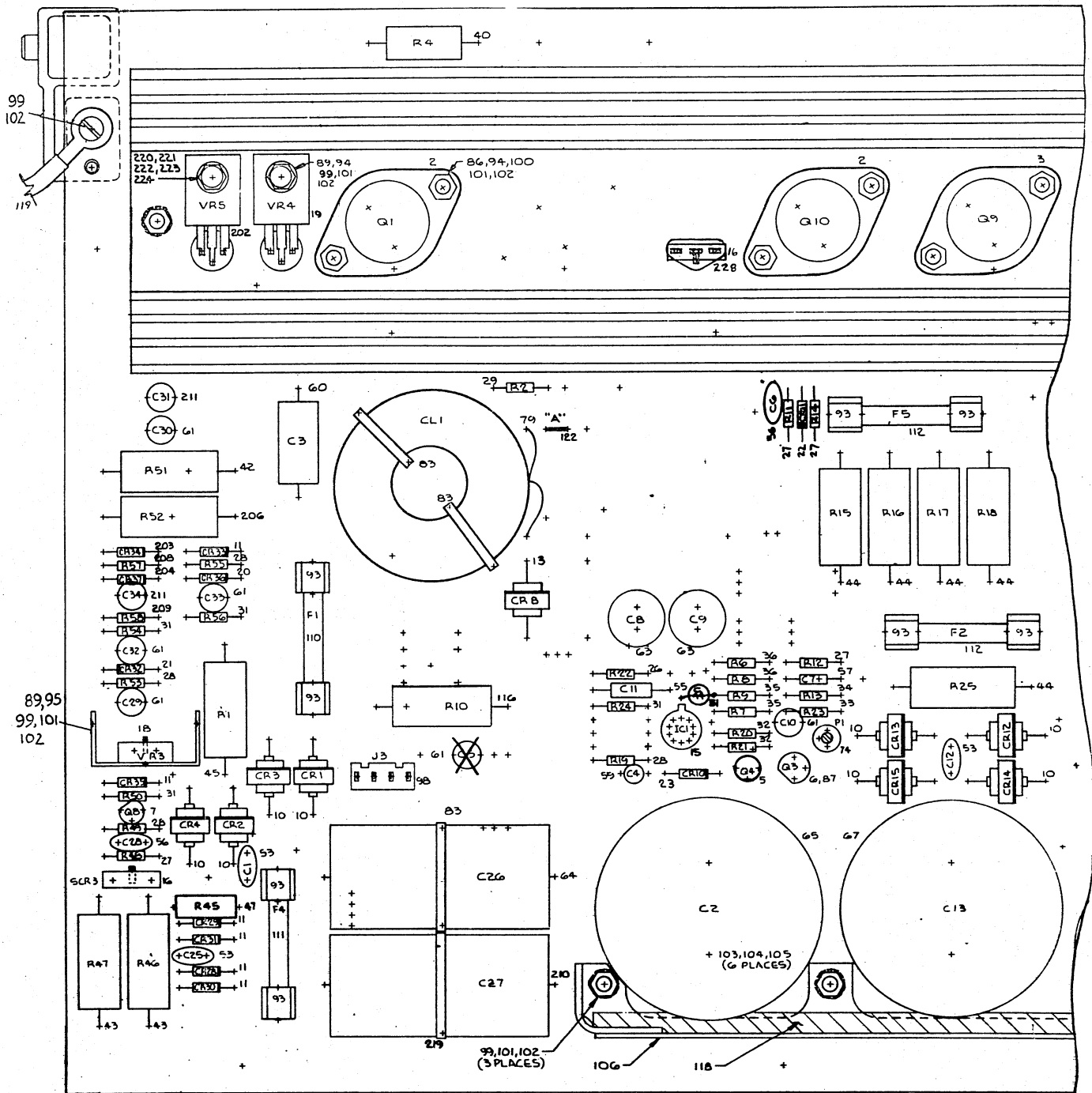
FND NUM	U/M	PART NUM	DESCRIPTION	NUM REQ	FND NUM	U/M	PART NUM	DESCRIPTION	NUM REQ
950	PC	95440199	**CONTROLLER-COMMON	1	950	PC	95440199	**CONTROLLER-COMMON	1
200	PC	44671998	LED DIAGNOSTICS OPTION	1	250	PC	44672756	LED DIAGNOSTICS OPT OFF BD	1
201	PC	15109600	CHIP 7416	1	201	PC	15109600	CHIP 7416	1
202	PC	24500039	RESISTOR 100 OHM 1/4W	6	202	PC	24500039	RES 100 OHM 1/4W 5	6
203	PC	44670961	DIODE LED INDICATOR	6	251	PC	95433305	HEADER SOLDER TAIL 10' POS	1
300	PC	44671995	PAPER RUNAWAY OPTION	1	300	PC	44671995	PAPER RUNAWAY OPT	1
301	PC	94824000	TRANSISTOR 2N3565	1	301	PC	94824000	TRANSISTOR 2N3565	1
302	PC	24500087	RESISTOR 10K 1/4W 5	1	302	PC	24500087	RES 10K 1/4W 5	1
303	PC	65632422	RESISTOR 249K 1/4W 1	1	303	PC	65632422	RES 249K 1/4W 5	1
304	PC	95443318	CAP 220 UF 6V TANT	1	304	PC	95443318	CAP 220 UF 6V TANT	1
305	PC	94753100	WIRE 24G A SOLID	1	305	PC	95753100	WIRE 24GA SOLID	1
400	PC	44671996	REP RATE LIMIT OPTION	1	400	PC	44671996	REP RATE LIMIT OPT	1
401	PC	94824000	TRANSISTOR 2N3565	2	401	PC	94824000	TRANSISTOR 2N3565	2
402	PC	15104300	IC 9602	1	402	PC	15104300	IC 9602	1
403	PC	17620409	CAP 4.7 UF TANT	2	403	PC	17620409	CAP 4.7 UF TANT	2
404	PC	24500071	RES 2.2K OHM 50 1/4W	1	404	PC	24500071	RES 2.2 K OHM 50 1/4 W	1
405	PC	24500087	RESISTOR 10K 1/4W 5	2	405	PC	24500087	RES 10K 1/4W 5	2
406	PC	65632422	RESISTOR 249K 1/4W 1	2	406	PC	65632422	RES 249K 1/4 W	2
500	PC	44671997	COMPRESSED PITCH OPTION	1	500	PC	44671997	COMPRESSED PITCH OPT	1
501	PC	44670580	IC 4066	1	501	PC	44670580	IC 4066	1
502	PC	24500087	RESISTOR 10K 1/4W 5	1	502	PC	24500087	RES 10K 1/4W 5	1
503	PC	94843307	POT 1K OHM 5/4 W 10	2	503	PC	94843307	POT 1K OHMS 3/4W 10	2
600	PC	44672753	PORT 4 OPTION	1	600	PC	44672753	PORT 4 OPT	1
601	PC	15164427	8255A I/O PORT	1	601	PC	15164427	8255A I/O PORT	1
602	PC	51848406	40 PIN IC SOCKET	1	602	PC	51848406	40 PIN IC SOCKET	1
800	PC	44673328	EXPANDED PROGRAM OPT	1	800	PC	44673328	EXPANDED PROGRAM OPT	1
801	PC	51848404	SOCKET 24 PIN IC	2	801	PC	51848404	SOCKET 24 PIN IC	2
850	PC	44673471	ASSY ROM SET STD PM70	1	850	PC	44675513	ASSY ROM SET STD PM70	1
851	PC	44673480	ASSY-PROM 1 STD PM70	1	851	PC	44673480	ASSY PROM 1 STD PM70	1
852	PC	44673481	ASSY-PROM 2 STD PM70	1	852	PC	44673481	ASSY PROM 2 STD PM70	1
853	PC	44673482	ASSY-PROM 3 STD PM70	1	853	PC	44675514	ASSY PROM 3 STD PM70	1
854	PC	44673483	ASSY PROM 4 STD PM70	1	854	PC	44673483	ASSY PROM 4 STD PM 70	1
860	PC	95448900	EZ EQUIP ROM 64 CH ASCII	1	860	PC	44676070	96 CHAR 7x9 ASCII ROM SET	1
861	PC	95452100	ASSY-ROM	1	861	PC	95455600	ASSY ROM 1	1
					862	PC	95455601	ASSY ROM 2	1

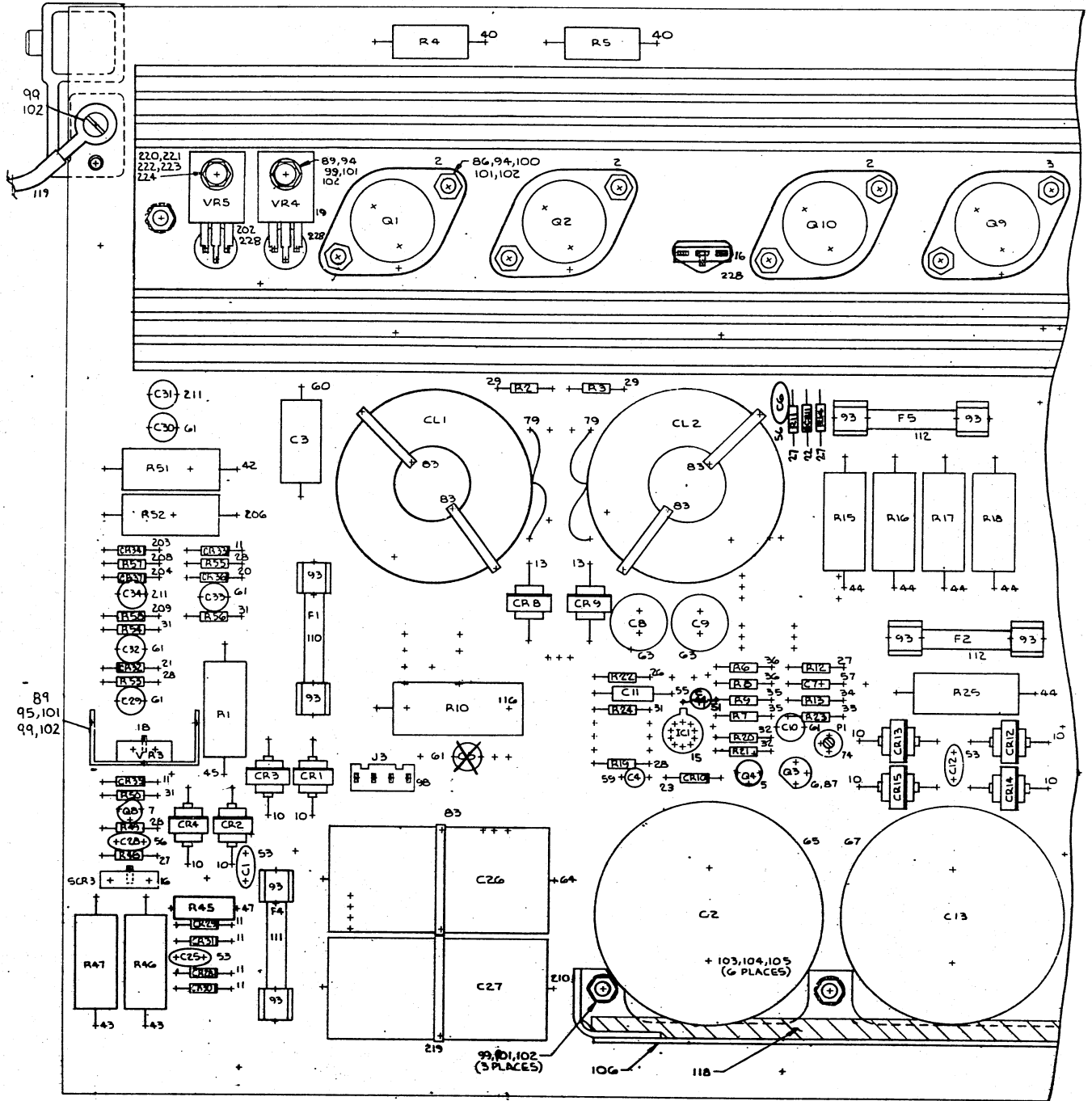
REF NUM REV TITLE
 95440128 INA CONTROLLER AND HEAD LOGIC
 95440143 B

FND NUM	U/M	PART NUM	DESCRIPTION	NUM REQ
950	PC	95440199	**CONTROLLER COMMON	1
200	PC	44671998	LED DIAGNOSTICS OPT	1
201	PC	15109600	CHIP 7416	1
202	PC	24500039	RESISTOR 100 OHM 1/4W	6
203	PC	44670961	DIODE LED INDICATOR	6
300	PC	44671995	PAPER RUNAWAY OPTION	1
301	PC	94824000	TRANSISTOR 2N3565	1
302	PC	24500087	RES 10K 1/4W 5	1
303	PC	65632422	RES 249K 1/4W 1	1
304	PC	95443318	CAP 220 UF 6V TANT	1
400	PC	44671996	REP RATE LIMIT OPTION	1
401	PC	94824000	TRANSISTOR 2N3565	1
402	PC	15104300	IC 9602	1
403	PC	17620403	CAP 4.7 UF TANT	2
404	PC	24500071	RES 2.2K OHM 50 1/4W	1
405	PC	24500087	RES 10K 1/4W 1	2
406	PC	65632422	RES 249K 1/4W 1	2
500	PC	44671997	COMPRESSED PITCH OPTION	1
501	PC	44670580	IC 4066	1
502	PC	24500087	RES 10K 1/4W 5	2
503	PC	94843307	POT 1K OHMS 3/4W 10	1
600	PC	44672753	PORT 4 OPTION	1
601	PC	15164427	8255A I/O PORT	1
602	PC	51848406	40 PIN IC SOCKET	1
800	PC	44673328	EXPANDED PROGRAM OPT	1
801	PC	51848404	SOCKET 24 PIN IC	2
850	PC	44675513	ASSY ROM SET STD PM70	1
851	PC	44673480	ASSY-E PROM 1 STD PM70	1
852	PC	44673481	ASSY-E PROM 2 STD PM70	1
853	PC	44675514	ASSY-E PROM 3 STD PM70	1
854	PC	44673483	ASSY-E PROM 4 STD PM70	1
860	PC	95448921	CZ EQUIP ROM 64CH ASCII	1
861	PC	95452100	ASSY-ROM	1

CONTROLLER AND HEAD LOGIC ASSY PART NUMBER	MODEL	LED DIAGNOSTICS		PAPER RUNAWAY OPTION	REP RATE LIMIT OPTION	COMP'D PITCH OPTION	PORT 4 OPTION	AUTO POWER RECOVERY OPTION	EXPANDED PROGRAM OPTION	QTY OF PROMS REQ'D	STATUS	REPLACED BY
		ON CARD	EXT TO CARD									
95440100	125 LPM									2	INACTIVE	95440114
95440101	70 LPM									4	INACTIVE	95440115
95440105	125 LPM									2	INACTIVE	95440112
95440106	70 LPM									4	INACTIVE	95440111
95440107	125 LPM									2	INACTIVE	95440116
95440108	70 LPM									4	INACTIVE	95440117
95440111	70 LPM									4	INACTIVE	95440118
95440112	125 LPM									2	INACTIVE	95440119
95440114	125 LPM									2	INACTIVE	95440130
95440115	70 LPM									4	INACTIVE	95440131
95440116	125 LPM									2	INACTIVE	95440125
95440117	70 LPM									4	INACTIVE	95440126
95440118	70 LPM									4	INACTIVE	95440128
95440119	125 LPM									2	INACTIVE	95440135
95440120	70 LPM									4	INACTIVE	95440136
95440121	70 LPM									4	INACTIVE	95440137
95440125	125 LPM									2	INACTIVE	95440141
95440126	70 LPM									4	INACTIVE	95440142
95440127	70 LPM									4	INACTIVE	95440128
95440128	70 LPM									4	INACTIVE	95440143
95440129	70 LPM									4	INACTIVE	95440144
95440122	70 LPM									2	INACTIVE	95440138
95440123	70 LPM									2	INACTIVE	95440139
95440124	125 LPM									2	INACTIVE	95440140
95440130	125 LPM									2	ACTIVE	
95440131	70 LPM									4	ACTIVE	
95440132	125 LPM									2	ACTIVE	95440116
95440133	70 LPM									2	ACTIVE	95440117
95440135	125 LPM									2	ACTIVE	
95440136	70 LPM									4	ACTIVE	
95440137	70 LPM									4	ACTIVE	
95440138	70 LPM									2	ACTIVE	
95440139	70 LPM									2	ACTIVE	
95440140	125 LPM									2	ACTIVE	
95440141	125 LPM									2	ACTIVE	
95440142	70 LPM									4	ACTIVE	
95440143	70 LPM									4	ACTIVE	
95440144	70 LPM									4	ACTIVE	

 FCO REWORKED BOARDS





95419900 Thru 95419906 POWER SUPPLY ASSEMBLY (125 LPM)
 95419950 Thru 95419956 POWER SUPPLY ASSEMBLY (70 LPM)

POWER SUPPLY ASSEMBLY PART NUMBER	USED ON MODEL	DC POWER HARNESS FOR USE WITH SPECIAL INTERFACES	OPTIONAL POWER SUPPLY INSTALLED	STATUS	REPLACED BY
95419900	125 LPM			INACTIVE	95419903
95419901	125 LPM			INACTIVE	95419904
95419902	125 LPM			INACTIVE	95419905
95419903	125 LPM			ACTIVE	
95419906	125 LPM			INACTIVE	95419904
95419905	125 LPM			ACTIVE	
95419950	70 LPM			INACTIVE	95419953
95419951	70 LPM			INACTIVE	95419954
95429952	70 LPM			INACTIVE	95419955
95419953	70 LPM			ACTIVE	
95419954	70 LPM			ACTIVE	
95419956	70 LPM			INACTIVE	95419955
95419904	125 LPM			ACTIVE	
95419955	70 LPM			ACTIVE	

95419900 Thru 95419906 POWER SUPPLY ASSEMBLY(125 LPM)
 95419950 Thru 95419956 POWER SUPPLY ASSEMBLY(70 LPM)

REF NUM REV TITLE

95419900	03	} POWER SUPPLY ASSEMBLY { COMMON PARTS LIST }
95419901	03	
95419902	03	
95419903	D	
95419904	D	
95419905	D	
95419906	02	
95419950	02	
95419951	02	
95419952	02	
95419953	D	
95419954	D	
95419955	D	
95419956	02	

FND U/M NUM	PART NUM	DESCRIPTION	NUM REQ	FND U/M NUM	PART NUM	DESCRIPTION	NUM REQ
003	PC 95417201	TRANSISTOR NPN	2	058	PC 94624301	CAP. .1MFD 100 80V	4
004	PC 76604400	SILICON PWR TRANSISTOR	1	059	PC 95443342	CAP .1 MF 39V	2
005	PC 44671101	TRANSISTOR MPS 8090	1	060	PC 94833969	CAP-0.22 MF	1
006	PC 94809800	TRANSISTOR 2N 3569	1	062	PC 95691118	CAP 150 MFD 15V ALUM.	2
007	PC 90211401	TRANSISTOR, SIL	1	063	PC 44670210	CAP 180 UF TANT	2
010	PC 99979000	DIODE NR791	12	064	PC 95324200	CAP 2000 MFD 25V	1
011	PC 92119037	DIODE IM4001 SILICON	7	065	PC 94625300	CAP 5,000 UF	1
012	PC 99307000	RECEIVER SILICON FAST RE	1	066	PC 12117601	CAPACITOR 10K MFD	1
013	PC 99307001	DIODE NR 021	2	067	PC 12117904	CAP 15,000 UF	1
014	PC 11803000	DIODE SILICON	2	073	PC 10435002	POTENTIOMETER 1K	1
015	PC 90613000	IC 723 VOLTAGE REG	2	074	PC 10439004	POT 5K	1
016	PC 94029901	S.C.R 2N4442	3	070	PC 76620601	TOROIDAL IND 0.5 MILLI-H	1
017	PC 19151503	REGULATOR 7012	1	083	PC 94277413	TY-WRAP	7
018	PC 76604700	NEGATIVE VOLTAGE REG 791	1	084	PC 44671671	HEAT SINK	1
019	PC 76604702	REGULATOR 7905	1	085	PC 44671675	HEAT SINK INSULATOR	1
020	PC 94625300	ZENER DIODE 9.6V	2	087	PC 94022100	TRANSISTOR INSULATOR	1
021	PC 94025010	ZENER DIODE 14V	2	089	PC 44670259	TD 220 INSULATOR	3
022	PC 90240110	DIODE 91 V ZENER	1	093	PC 99900400	FUSE CLIP	10
023	PC 15101005	DIODE	1	095	PC 44670217	HEAT SINK	1
024	PC 24900020	RESISTOR 30 OHMS 1/4W 5	4	096	PC 94770911	Ø PWS CORR	1
027	PC 24900030	RESISTOR 100 OHMS 1/4W 5	5	097	PC 99443400	HEADER 2 PIN	2
028	PC 24900050	RESISTOR 470 OHMS 1/4W 5	1	090	PC 99443402	HEADER 4 PINS	1
030	PC 24900060	RES 750OHM 1/4W 50	1	099	PC 76590034	SCR NEW CMS SLT NSHO.9X1	0
031	PC 24900063	RESISTOR 1K 1/4W 5	7	100	PC 76590036	SCR NEW CMS SLT NSHO.9X1	15
032	PC 24900071	RES 2.2K OHM 50 1/4W	4	101	PC 76590004	USMR EXT LR METRIC NS-2.	22
033	PC 24900070	RESISTOR 4.3K OHMS 1/4W	2	102	PC 76590020	NUT-MEX NSHO.5	24
034	PC 24900093	RESISTOR 10K OHMS 1/4W 5	1	103	PC 10127142	SCR PAM NO PHL 10-32X.37	6
035	PC 17709908	RES 43K OHMS 1/4W 50	2	104	PC 10125007	WASHER PLAIN 10	4
036	PC 17709944	RES 2.2K 1/4W 5	3	105	PC 10126403	WASHER EXTL TOOTH LR 10	6
037	PC 24900120	RES 10 OHMS 1/2W 5	2	106	PC 44671692	CAPACITOR GRN	1
038	PC 24900130	RES 100 OHMS 1/2W 5	1	107	PC 44671517	BOARD LATCH	2
039	PC 24907110	RES 91 OHMS 1W 5~	1	108	PC 44671700	CZ DC PWR-CONTROLLER MAR	1
040	PC 24904070	RESISTOR 4.3K 2W 5~	2	109	PC 44671710	CZ SERVO CONTROL CABLE A	1
041	PC 44671406	RESISTOR .39 OHM 3W 1~	2	110	PC 24936202	FUSE TYPE RTH 5 AMPS	2
042	PC 99900997	RES 27 OHM 5W 5~	1	111	PC 24912920	FUSE 1 AMP AGC	1
043	PC 99900901	RESISTOR 2 OHM 5W 10~	3	112	PC 24921723	FUSE, SLOW BLOW 1.6 A	2
044	PC 99900919	RES 910 OHMS 5W 10~	6	114	PC 44671903	CZ PWR SUPPLY SHIELD ASS	1
045	PC 99900929	RESISTOR 2K 5W 10~	1	115	PC 44671700	SNAP IN FASTENER .09	5
046	PC 99904199	RESISTOR 0.1 OHMS 10W 10	1	117	PC 99443427	HEADER 3 PIN	1
047	PC 24907171	RES 2.2K 1W 5~	1	110	FT 94276607	TAPE FOAM	2
051	PC 99443377	CAP .003UF 50V TANT	1	119	PC 76644600	CHAIN ASSY	2
052	PC 92490065	CAP 33 PF 50V I 150	1	120	PC 24947501	PLATE WARMING	2
053	PC 94842154	CAP .601MFD 600VDC	6	123	RL 94700700	TAPE	AR
054	PC 94842172	DISC CAPACITOR .0047 MFD	2	125	FT 52629727	WIRE SOLID 26 AWG WHT	2
055	PC 95315500	CAP .001 UFD	1	229	PC 10125006	WASHER PLAIN 8	2
056	PC 94740400	CAP. 0.1MFD, 50V	3	226	PC 94277400	TY-WRAP	3
057	PC 24901741	CAP .02MFD 200 50V	1	227	PC 10125005	WASHER PLAIN 6	2
				220	FT 24534706	SLEEVING	.625

95419900 Thru 95419906 POWER SUPPLY ASSEMBLY(125 LPM)
 95419950 Thru 95419956 POWER SUPPLY ASSEMBLY(70 LPM)

REF NUM	REV	TITLE	REF NUM	REV	TITLE				
95419900	03	POWER SUPPLY ASSEMBLY	95419903	C	POWER SUPPLY ASSEMBLY				
FIND NUM	U/M	PART NUM	DESCRIPTION	NUM REQ	FIND NUM	U/M	PART NUM	DESCRIPTION	NUM REQ
001	PC	95419803	PCB POWER SUPPLY	1	001	PC	44680628	PCB POWER SUPPLY	1
002	PC	76604401	TRANSISTOR PNP	4	002	PC	76604401	TRANSISTOR PNP	4
029	PC	24500056	RESISTOR 510 OHMS 1/4W 5	2	029	PC	24500056	RESISTOR 510 OHMS 1/4W 5	2
061	PC	95443364	CAP 6.8 UF 35V TANT	9	051	PC	95443377	CAP 0.33 UF 50V TANT	1
079	PC	76620602	TOROIDAL IND 1.5 MILLI-H	2	061	PC	94395505	CAP 6.8 UF 50V ELEC	8
086	PC	44670254	INSULATING SPACER TO-3	7	079	PC	76620602	TOROIDAL IND 1.5 MILLI-H	2
094	PC	44670496	SPACER TEFLON	17	086	PC	44670254	INSULATING SPACER TO-3	7
116	PC	95321300	RES 0.05 OHM 8W	1	094	PC	44670496	SPACER TEFLON	16
					116	PC	95321300	RES 0.05 OHM 8W	1
REF NUM	REV	TITLE	REF NUM	REV	TITLE				
95419901	03	POWER SUPPLY ASSEMBLY	95419904	C	POWER SUPPLY ASSEMBLY				
95419906	02	POWER SUPPLY ASSEMBLY							
FIND NUM	U/M	PART NUM	DESCRIPTION	NUM REQ	FIND NUM	U/M	PART NUM	DESCRIPTION	NUM REQ
001	PC	95419803	PCB POWER SUPPLY	1	001	PC	44680628	PCB POWER SUPPLY	1
002	PC	76604401	TRANSISTOR PNP	4	002	PC	76604401	TRANSISTOR PNP	4
029	PC	24500056	RESISTOR 510 OHMS 1/4W 5	2	029	PC	24500056	RESISTOR 510 OHMS 1/4W 5	2
061	PC	95443364	CAP 6.8 UF 35V TANT	9	051	PC	95443377	CAP 0.33 UF 50V TANT	1
079	PC	76620602	TOROIDAL IND 1.5 MILLI-H	2	061	PC	94395505	CAP 6.8 UF 50V ELEC	8
086	PC	44670254	INSULATING SPACER TO-3	7	079	PC	76620602	TOROIDAL IND 1.5 MILLI-H	2
094	PC	44670496	SPACER TEFLON	16	086	PC	44670254	INSULATING SPACER TO-3	7
116	PC	95321300	RES 0.05 OHM 8W	1	094	PC	44670496	SPACER TEFLON	16
150	PC	44671709	DC PWR TO INTERFACE HARN	1	116	PC	95321300	RES 0.05 OHM 8W	1
					150	PC	44671709	DC PWR TO INTERFACE HARN	1
REF NUM	REV	TITLE	REF NUM	REV	TITLE				
95419902	03	POWER SUPPLY ASSEMBLY	95419905	C	POWER SUPPLY ASSEMBLY				
FIND NUM	U/M	PART NUM	DESCRIPTION	NUM REQ	FIND NUM	U/M	PART NUM	DESCRIPTION	NUM REQ
001	PC	95419803	PCB POWER SUPPLY	1	001	PC	44680628	PCB POWER SUPPLY	1
002	PC	76604401	TRANSISTOR PNP	4	002	PC	76604401	TRANSISTOR PNP	4
029	PC	24500056	RESISTOR 510 OHMS 1/4W 5	2	029	PC	24500056	RESISTOR 510 OHMS 1/4W 5	2
061	PC	95443364	CAP 6.8 UF 35V TANT	9	051	PC	95443377	CAP 0.33 UF 50V TANT	1
079	PC	76620602	TOROIDAL IND 1.5 MILLI-H	2	061	PC	94395505	CAP 6.8 UF 50V ELEC	8
086	PC	44670254	INSULATING SPACER TO-3	7	079	PC	76620602	TOROIDAL IND 1.5 MILLI-H	2
094	PC	44670496	SPACER TEFLON	17	086	PC	44670254	INSULATING SPACER TO-3	7
116	PC	95321300	RES 0.05 OHM 8W	1	094	PC	44670496	SPACER TEFLON	16
150	PC	44671709	DC PWR TO INTERFACE HARN	1	116	PC	95321300	RES 0.05 OHM 8W	1
200	PC	44671994	OPTIONAL POWER SYPPLY	1	150	PC	44671709	DC PWR TO INTERFACE HARN	1
201	PC	15151503	REGULATOR 7812	1	200	PC	44671994	OPTIONAL POWER SUPPLY	1
202	PC	76604702	REGULATOR 7905	1	201	PC	15151503	REGULATOR 7812	1
203	PC	92115037	DIODE IN4001 SILICON	2	202	PC	76604702	REGULATOR 7905	1
204	PC	94823809	ZENER DIODE 5.6V	1	203	PC	92115037	DIODE IN4001 SILICON	2
205	PC	94823810	ZENER DIODE 14V	1	204	PC	94823809	ZENER DIODE 5.6V	1
206	PC	95596557	RES 27 OHM 5W 5	1	205	PC	94823810	ZENER DIODE 14V	1
207	PC	24500026	RESISTOR 30 OHMS 1/4W 5	1	206	PC	95596557	RES 27 OHM 5W 5	1
208	PC	24500055	RESISTOR 470 OHMS 1/4W 5	1	207	PC	24500026	RESISTOR 30 OHMS 1/4W	1
209	PC	24500063	RESISTOR 1K 1/4W 5	2	208	PC	24500055	RESISTOR 470 OHMS 1/4W	1
210	PC	95324200	CAP 2000 MFD 25V	1	209	PC	24500063	RESISTOR 1K 1/4W 5	2
219	PC	94277413	TY-WRAP	3	210	PC	95324200	CAP 2000 MFD 25V	1
220	PC	44670255	TO 220 INSULATOR	2	211	PC	95443364	CAP 6.8 UF 35V TANT	3
221	PC	44670496	SPACER TEFLON	2	219	PC	94277413	TY-WRAP	1
222	PC	76590034	SCR MCH CHS SLT M3XD.5X12	2	220	PC	44670255	TO 220 INSULATOR	2
223	PC	76590504	WSHR EXT LK METRIC M3-3.2ID	2	221	PC	44670496	SPACER REFLON	2
224	PC	76590201	NUT-HEX M3XD.5	2	222	PC	76590034	SCR MCH CHS SLT M3XD.5X12	2
					223	PC	76590504	WSHR EXT LK METRIC M3-3.2	2
					224	PC	76590201	NUT-HEX M3XD.5	2

95419900 Thru 95419906 POWER SUPPLY ASSEMBLY(125 LPM)
 95419950 Thru 95419956 POWER SUPPLY ASSEMBLY(70 LPM)

REF NUM	REV	TITLE	NUM	
FIND	NUM	U/M PART NUM	DESCRIPTION	REQ
95419950	02	POWER SUPPLY ASSEMBLY		
001	PC	95419803	PCB POWER SUPPLY	1
002	PC	76604401	TRANSISTOR PNP	3
029	PC	24500056	RESISTOR 510 OHMS 1/4W 5	1
061	PC	95443364	CAP 6.8 UF 35V TANT	9
079	PC	76620602	TOROIDAL IND 1.5 MILLI-H	1
086	PC	44670254	INSULATING SPACER TO-3	6
094	PC	44670496	SPACER TEFLON	15
116	PC	95596532	RESISTOR 0.1 5W 10	1
122	FT	94753100	WIRE 24 GA SOLID	.1

REF NUM	REV	TITLE	NUM	
FIND	NUM	U/M PART NUM	DESCRIPTION	REQ
95419953	C	POWER SUPPLY ASSEMBLY		
001	PC	44680628	PCB POWER SUPPLY	1
002	PC	76604401	TRANSISTOR PNP	3
029	PC	24500056	RESISTOR 510 OHMS 1/4W	1
051	PC	95443377	CAP 0.33 UF 50V TANT	1
061	PC	94395505	CAP 6.8 UF 50V ELECT	8
079	PC	76620602	TOROIDAL IND 1.5 MILLI-H	1
086	PC	44670254	INSULATING SPACER TO-3	6
094	PC	44670496	SPACER TEFLON	14
116	PC	95596532	RESISTOR 0.1 5W 10	1
122	FT	94753100	WIRE 24 GA SOLID	.1

REF NUM	REV	TITLE	NUM	
FIND	NUM	U/M PART NUM	DESCRIPTION	REQ
95419951	02	POWER SUPPLY ASSEMBLY		
001	PC	95419803	PCB POWER SUPPLY	1
002	PC	76604401	TRANSISTOR PNP	3
029	PC	24500056	RESISTOR 510 OHMS 1/4W 5	1
061	PC	95443364	CAP 6.8 UF 35V TANT	9
079	PC	76620602	TOROIDAL IND 1.5 MILLI-H	1
086	PC	44670254	INSULATING SPACER TO-3	6
094	PC	44670496	SPACER TEFLON	15
116	PC	95596532	RESISTOR 0.1 5W 10	1
122	FT	94753100	WIRE 24 GA SOLID	.1
150	PC	44671709	DC PWR TO INTERFACE HARN	1

REF NUM	REV	TITLE	NUM	
FIND	NUM	U/M PART NUM	DESCRIPTION	REQ
95419954	C	POWER SUPPLY ASSEMBLY		
001	PC	44680628	PCB POWER SUPPLY	1
002	PC	76604401	TRANSISTOR PNP	3
029	PC	24500056	RESISTOR 510 OHMS 1/4W 5	1
051	PC	95443377	CAP 0.33 UF 50V TANT	1
061	PC	94395505	CAP 6.8 UF 50V ELECT	8
079	PC	76620602	TOROIDAL IND 1.5 MILLI-H	1
086	PC	44670254	INSULATING SPACER TO-3	6
094	PC	44670496	SPACER TEFLON	14
116	PC	95596532	RESISTOR 0.1 5W 10	1
122	FT	94753100	WIRE 24 GA SOLID	.1
150	PC	44671709	DC PWR TO INTERFACE HARN	1

REF NUM	REV	TITLE	NUM	
FIND	NUM	U/M PART NUM	DESCRIPTION	REQ
95419952	02	POWER SUPPLY ASSEMBLY		
95419956	02	POWER SUPPLY ASSEMBLY		
001	PC	95419803	PCB POWER SUPPLY	1
002	PC	76604401	TRANSISTOR PNP	3
029	PC	24500056	RESISTOR 510 OHMS 1.4W 5	1
061	PC	95443364	CAP 6.8 UF 35V TANT	9
079	PC	76620602	TOROIDAL IND 1.5 MILLI-H	1
086	PC	44670254	INSULATING SPACER TO-3	6
094	PC	44670496	SPACER TEFLON	14
116	PC	95596532	RESISTOR 0.1 5W 10	1
122	FT	94753100	WIRE 24 GA SOLID	.1
150	OC	44671709	DC PWR TO INTERFACE HARN	1
200	PC	44671994	OPTIONAL POWER SUPPLY	1
201	PC	15151503	REGULATOR 7812	1
202	PC	76604702	REGULATOR 7905	1
203	PC	92115037	DIOD IN4001 SILICON	2
204	PC	94823809	ZENER DIODE 5.6V	1
205	PC	94823810	ZENER DIODE 14V	1
206	PC	95596557	RES 27 OHM 5W 5	1
207	PC	24500026	RESISTOR 30 OHMS 1/4W 5	1
208	PC	14500055	RESISTOR 470 OHMS 1/4W 5	1
209	PC	24500063	RESISTOR 1K 1/4W 5	2
210	PC	95324200	CAP 2000 MFD 25V	1
211	PC	95443364	CAP 6.8 UF 35V TANT	3
219	PC	94277413	TY-WRAP	1
220	PC	44670255	TO 220 INSULATOR	2
221	PC	44670496	SPACER TEFLON	2
222	PC	76590034	SCR MCH CHS SLT M3XD.5X12	2
223	PC	76590504	WSHR EXT LK MET M3-3.2 I.D	2
224	PC	76590201	NUT-HEX M3XD.5	2

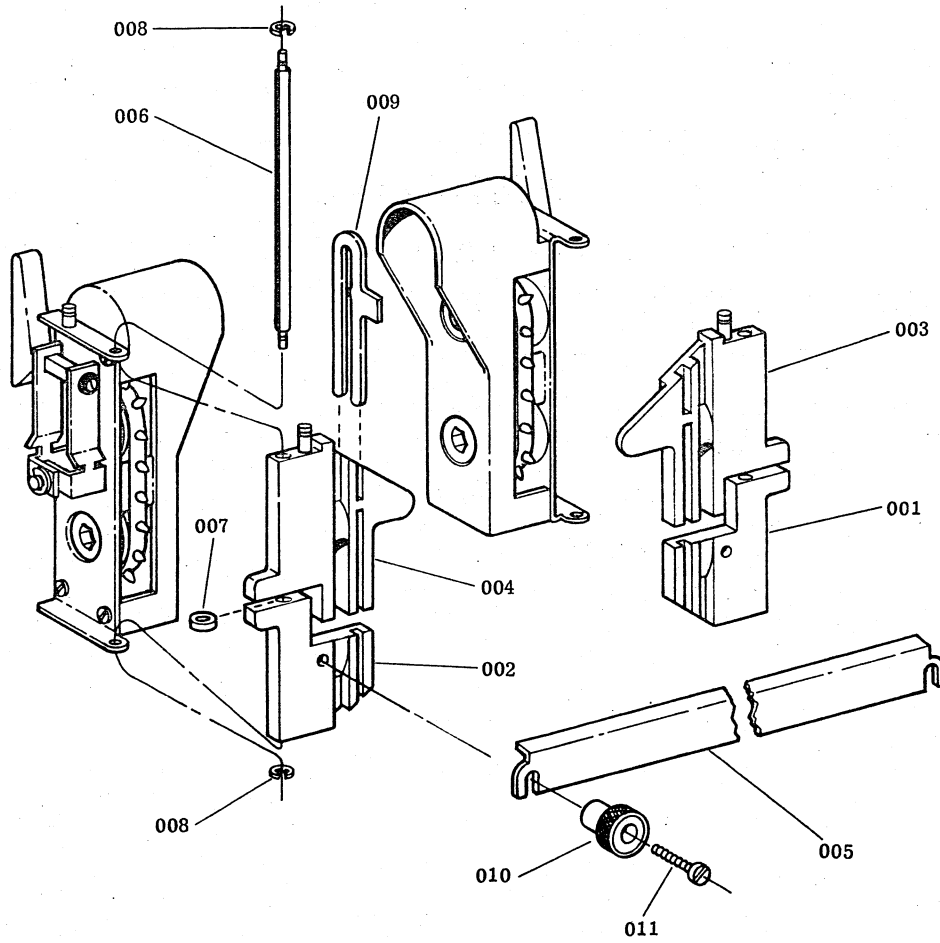
REF NUM	REV	TITLE	NUM	
FIND	NUM	U/M PART NUM	DESCRIPTION	REQ
95419955	C	POWER SUPPLY ASSEMBLY		
001	PC	44680628	PCB POWER SUPPLY	1
002	PC	76604401	TRANSISTOR PNP	3
029	PC	24500056	RESISTOR 510 OHMS 1/4W 5	1
051	PC	95443377	CAP 0.33 UF 50V TANT	1
061	PC	94395505	CAP 6.8 UF 50 V ELECT	8
079	PC	76620602	TOROIDAL IND 1.5 MILLI	1
086	PC	44670254	INSULATING SPACER TO-3	6
094	PC	44670496	SPACER TEFLON	14
116	PC	95596532	RESISTOR 0.1 5W 10	1
122	FT	94753100	WIRE 24 GA SOLID	.1
150	PC	44671709	DC PWR TO INTERFACE HARN	.1
200	PC	44671994	OPTIONAL POWER SUPPLY	1
201	PC	15151503	REGULATOR 7812	1
202	PC	76604702	REGULATOR 7905	1
203	PC	92115037	DIODE IN4001 SILICON	2
204	PC	94823809	ZENER DIODE 5.6V	1
205	PC	94823810	ZENER DIODE 14V	1
206	PC	95596557	RES 27 OHM 5W 5	1
207	PC	24500026	RESISTOR 30 OHMS 1/4W	1
208	PC	24500055	RESISTOR 470 OHMS 1/4W	1
209	PC	24500063	RESISTOR 1K 1/4W 5	2
210	PC	95324200	CAP 2000 MFD 25V	1
211	PC	95443364	CAP 6.8 UF 35V TANT	3
219	PC	94277413	TY-WRAP	1
220	PC	44670255	TO 220 INSULATOR	2
221	PC	44670496	SPACER TEFLON	2
222	PC	76590034	SCR MCH CHS SLT M3XD.5x12	2
223	PC	76590504	WSHR EXT LK METRIC M3-3.2	2
224	PC	76590201	NUT-HEX M3XD.5	2

SECTION IV

SPECIAL OPTIONS

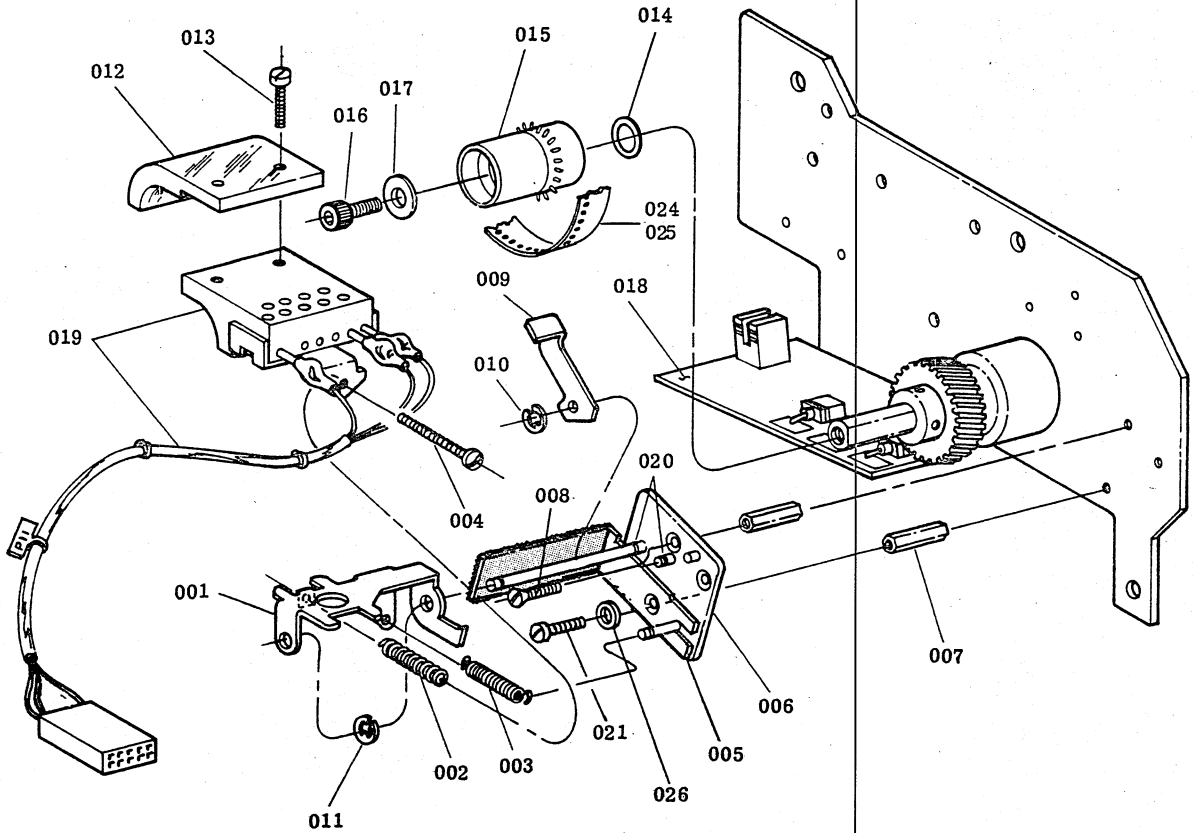
<u>Title</u>	<u>Page</u>
TEAR BAR ASSEMBLY	4-2
EVFU OPTION ASSEMBLY	4-3
EVFU BRUSH BLOCK ASSEMBLY	4-4
BOTTOM FORMS FEED ASSEMBLY	4-5
PAPER BASKET ASSEMBLY	4-6
AUDIBLE ALARM	4-7
SPECIAL VDE KIT	4-9

44670422 TEAR BAR KIT ASSEMBLY



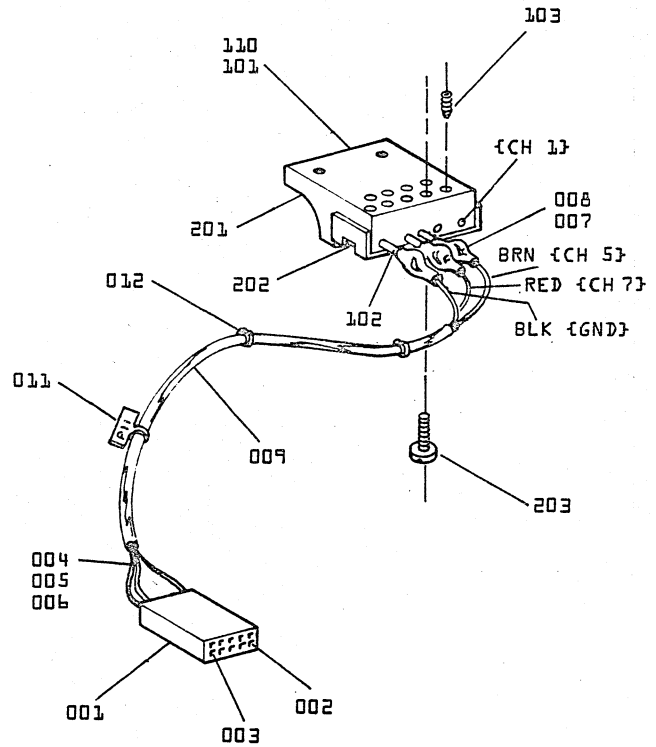
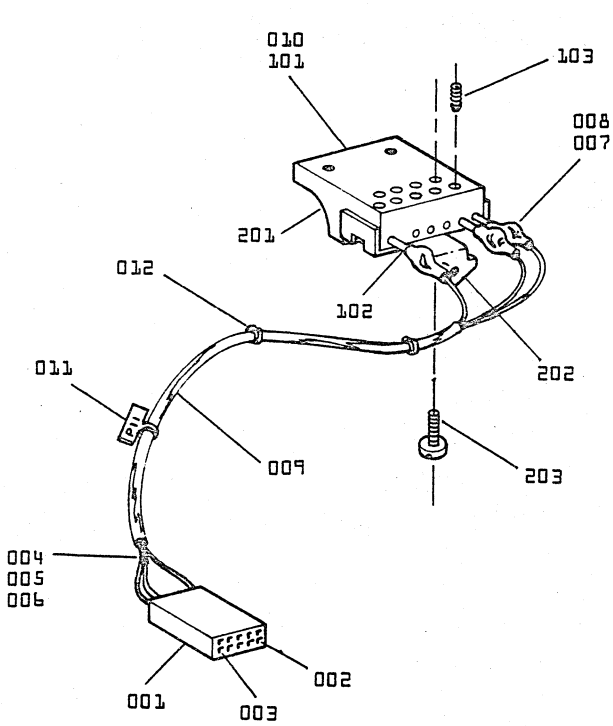
REF NUM	REV	TITLE		
44670422	A	TEAR BAR KIT ASSY		
FIND NUM	U/M	PART NUMBER	DESCRIPTION	NUM REQ
001	PC	44670423	COVER ASSY-LOWER RIGHT	1
002	PC	44670426	COVER ASSY-LOWER LEFT	1
003	PC	44670420	COVER ASSY-UPPER RIGHT	1
004	PC	44670431	COVER ASSY-UPPER LEFT	1
005	FC	44672372	TEAR BAR	1
006	PC	44670434	PIN-HINGE	2
007	PC	76629100	SPACER	2
008	PC	76590604	RETAINING RING MET 2.3 ID	4
009	PC	44672373	CLAMP-SLIDE	2
010	PC	44670425	THUMB SCREW	2
011	PC	76590054	SCREW CHEESE HD. M-4x25	2

44672292 EVFU (OPTION)
44675158 VFU (OPTION)



REF NUM	REV	TITLE	REF NUM	REV	TITLE
44672292	A	EVFU (OPTION)	44675158	A	VFU (OPTION)
FND			FND		
NUM	U/M	PART NUM	NUM	U/M	PART NUM
		DESCRIPTION			DESCRIPTION
001	PC	76596400	001	PC	76596400
		BRACKET BRUSH PIVOT			BRACKET BRUSH PIVOT
002	PC	76596500	002	PC	76596500
		SPRING			SPRING
003	PC	44675123	003	PC	44675123
		SPRING EXTENSION			SPRING EXTENSION
004	PC	76590040	004	PC	76590040
		SCR MCH CHS SLT M3X0.5X25			SCR MCH CHS SLT M3X0.5X25
005	PC	44679547	005	PC	44679547
		BRKT FORMAT TAPE GUIDE			BRKT FORMAT TAPE GUIDE
006	PC	44671270	006	PC	44671270
		BRUSH BLOCK ADAPTER			BRUSH BLOCK ADAPTER
007	PC	76584503	007	PC	76584503
		PILLAR HEX METRIC			PILLAR HEX METRIC
008	PC	76590310	008	PC	76590310
		SCR MCH FLT SLT M3X5.0X6			SCR MCH FLT SLT M3X5.0X6
009	PC	76595500	009	PC	76595500
		LEVER RETRACTION			LEVER RETRACTION
010	PC	76590605	010	PC	76590605
		RETAINING RING METRIC 3.2 ID			RETAINING RING METRIC 3.2 ID
011	PC	76590607	011	PC	76590607
		RETAINING RING METRIC 5 ID			RETAINING RING METRIC 5 ID
012	PC	44672095	012	PC	44672095
		GUIDE FORMAT TAPE			GUIDE FORMAT TAPE
013	PC	76590302	013	PC	76590302
		SCR MCH FLT SLT M2.5X0.45X6			SCR MCH FLT SLT M2.5X0.45X6
014	PC	95336401	014	PC	95336401
		O RING			O RING
015	PC	76586600	015	PC	76586600
		SPROCKET ASSY			SPROCKET ASSY
016	PC	76590840	016	PC	76590840
		SCR CAP SKT HD M5X0.8X10			SCR CAP SKT HD M5X0.8X10
017	PC	76593800	017	PC	76593800
		WASHER			WASHER
018	PC	95432108	REF	018	95432108
		VERT SD CR W/EV FU OPTION			VERT XDCR W/EV FU OPTION
019	PC	44675157	019	PC	44675157
		EVFU BRUSH BLK + HARN ASSY			VFU BRUSH BLK + HARN ASSY
020	PC	95370201	020	PC	95370201
		OK-LUBRICATING			OIL LUBRICATING
021	PC	76590032	021	PC	76590032
		SCR MDH CHS SLT M3X10.5X8			SCR MCH CHS SLT M3X0.5X8
022	PC	76590524	022	PC	76590524
		WSHR INTL LK METRIC M3-3.2 ID			WSHR INTL LK METRIC M3-3.2 ID
023	PC	95414500	023	PC	95414500
		TAPE FOR MAT			TAPE FORMAT
024	PC	76628200	024	PC	76628200
		SPLICE TAPE			SPLICE TAPE
025	PC	76590504	025	PC	76590504
		WSHR EXT LK METRIC M3-3.2 ID			WSHR EXT LK METRIC M3-3.2 ID
026	PC	76590504	026	PC	76590504
		WSHR EXT LK METRIC M3-3.2 ID			WSHR EXT LK METRIC M3-3.2 ID

44671991 EVFU BRUSH BLOCK AND HOUSING ASSEMBLY
 44675157 VFU BRUSH BLOCK AND HOUSING ASSEMBLY



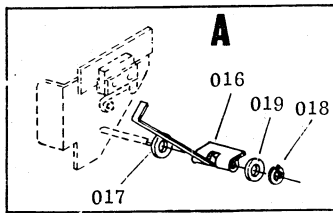
REF NUM 44671991 REV 01 TITLE EVFU BRUSH BLK AND HOUSING

FND NUM	U/M	PART NUM	DESCRIPTION	NUM REQ
001	PC	44672013	HOUSING 10 POS	1
002	PC	44672015	CONNECTOR KEY	1
003	PC	95873500	CONTACT LOCKING CLIP	3
004	FT	24548301	WIRE 24 GA BLK	1
005	FT	24548302	WIRE 24 GA BRN	1
006	FT	24548303	WIRE 24 GA RED	1
007	FT	24534706	SLEEVING-HEAT SHRINKABLE	.2
008	OZ	95024600	SOLDER	AR
009	IN	24528613	INS SLEEVING 3 IN	.12
010	PC	44672293	BRUSH AND HOUSING ASSY	1
101	PC	76627899	BRUSH AND HOUSING COMMON	1
201	PC	76583301	CLOCK BRUSH	1
202	PC	76583200	BRACKET BRUSH BLOCK	1
203	PC	76590033	SCR HDH DHS SLT M3X0.5X10	1
102	PC	76624000	BRUSH ASSY	3
103	PC	76590716	SCR SET SKT FLT PT M3X0.5X6	3
011	PC	94277409	TYRAPS	1
012	PC	94277400	TY-RAP	2

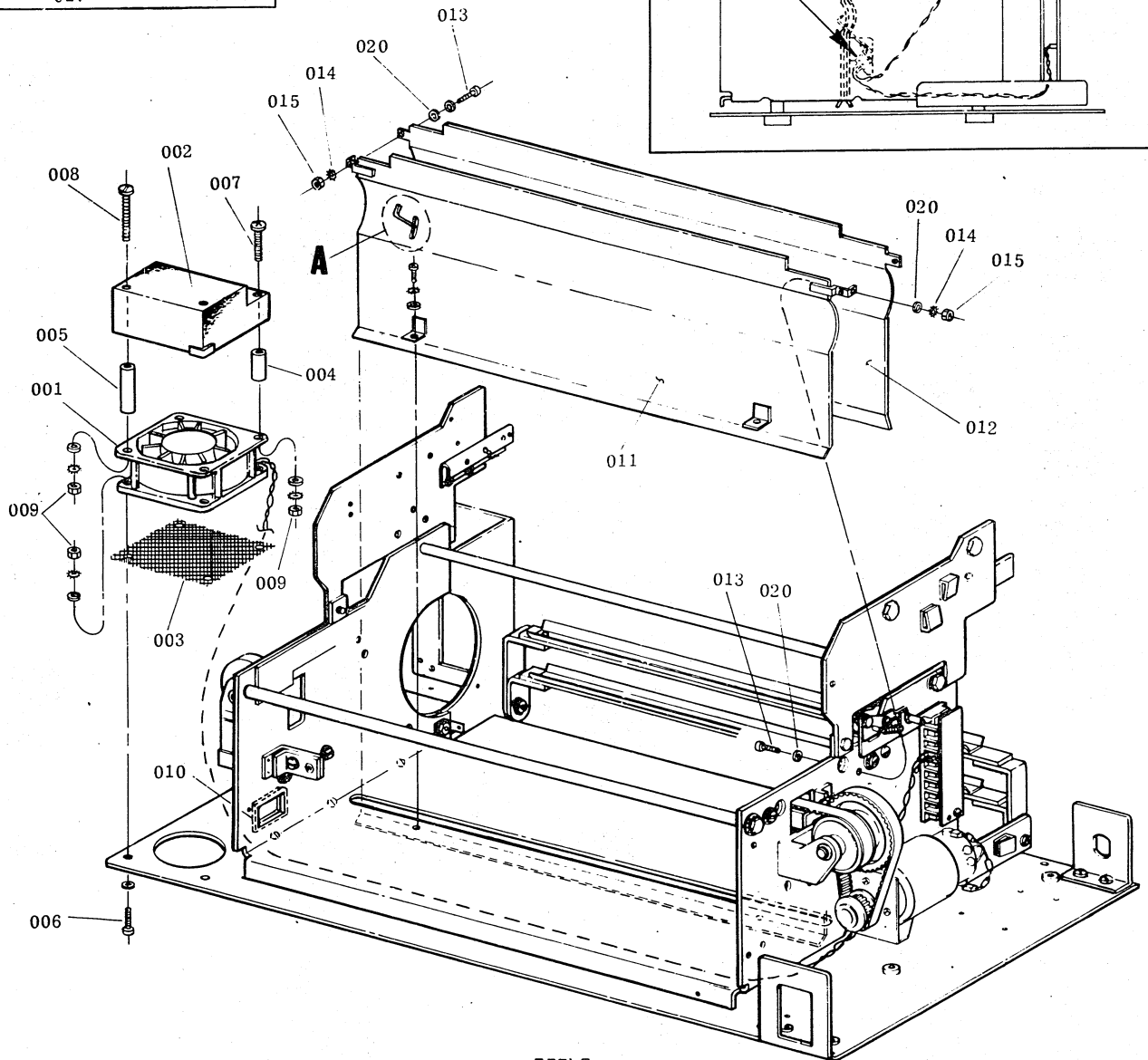
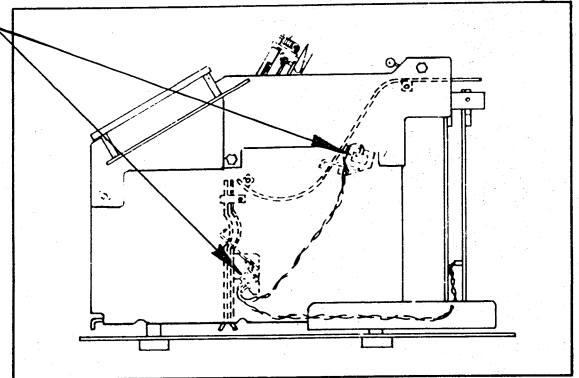
REF NUM 44675157 REV 8 TITLE VFU BRUSH BLK AND HOUSING (CENT.)

FND NUM	U/M	PART NUM	DESCRIPTION	NUM REQ
001	PC	44672013	HOUSING 10 POS	1
002	PC	44672015	CONNECTOR KEY	1
003	PC	95873500	CONTACT-LOCKING CLIP	3
004	FT	24548301	WIRE 24 GA BLK	1
005	FT	24548302	WIRE 24 GA BRN	1
006	FT	24548303	WIRE 24 GA RED	1
007	FT	24534706	SLEEVING-HEAT SHRINKABLE	.2
008	OZ	95024600	SOLDER	AR
009	IN	24528613	INS SLEEVING 3 IN	.12
010	PC	44675156	BRUSH AND HOUSING ASSY	1
101	PC	76627899	BRUSH AND HOUSING COMMON	1
201	PC	76583301	BLOCK BRUSH	1
202	PC	76583200	BRACKET BLOCK	1
203	PC	76590033	SCR MCH CHS SLT M3X0.5X10	1
102	PC	76624000	BRUSH ASSY	4
103	PC	76590716	SCR SET SKT FLT PT M3X0.5X6	4
011	PC	94277409	TYRAPS	1
012	PC	94277400	TY-RAP	2

44673176 BOTTOM FORMS FEED ASSEMBLY

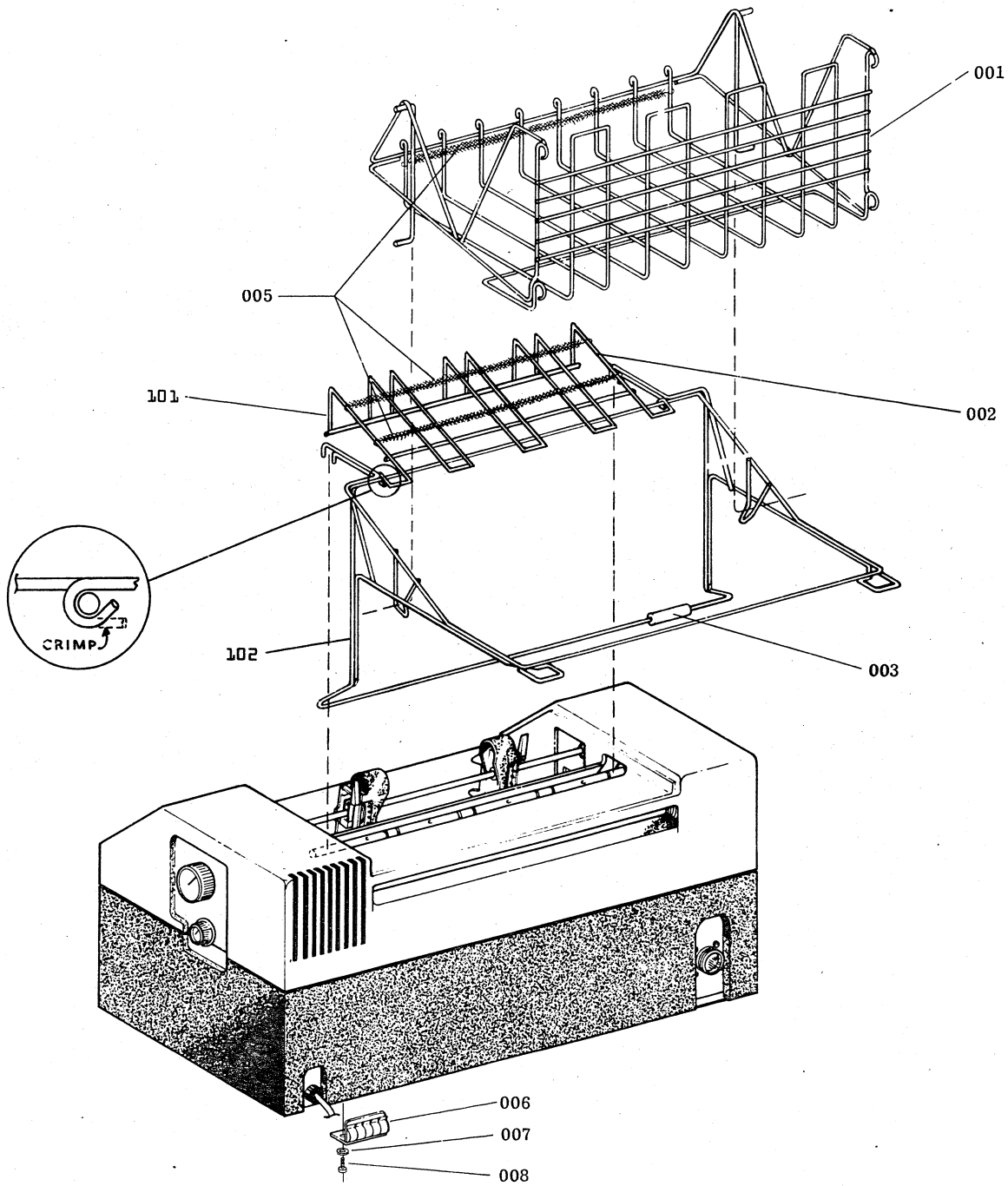


FOR PARTS BREAKDOWN
ON EITHER OF 2 SWITCHES
SEE PAGE 2-24.



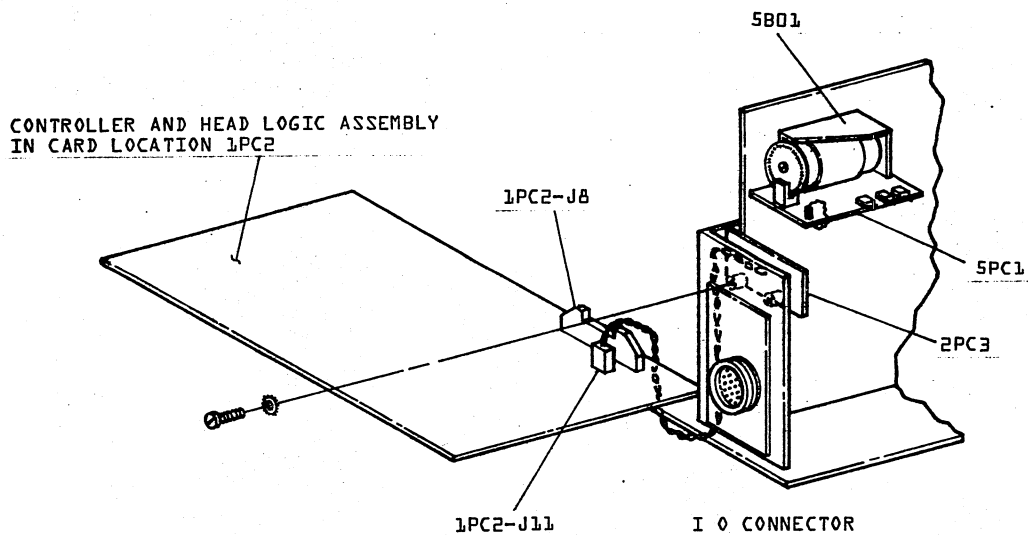
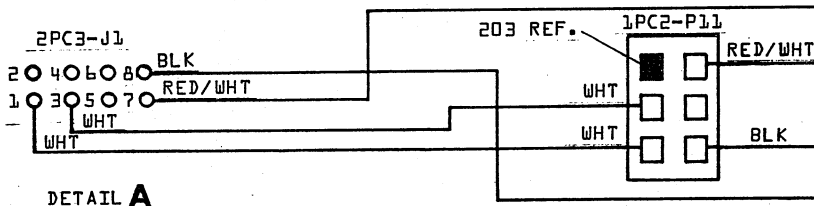
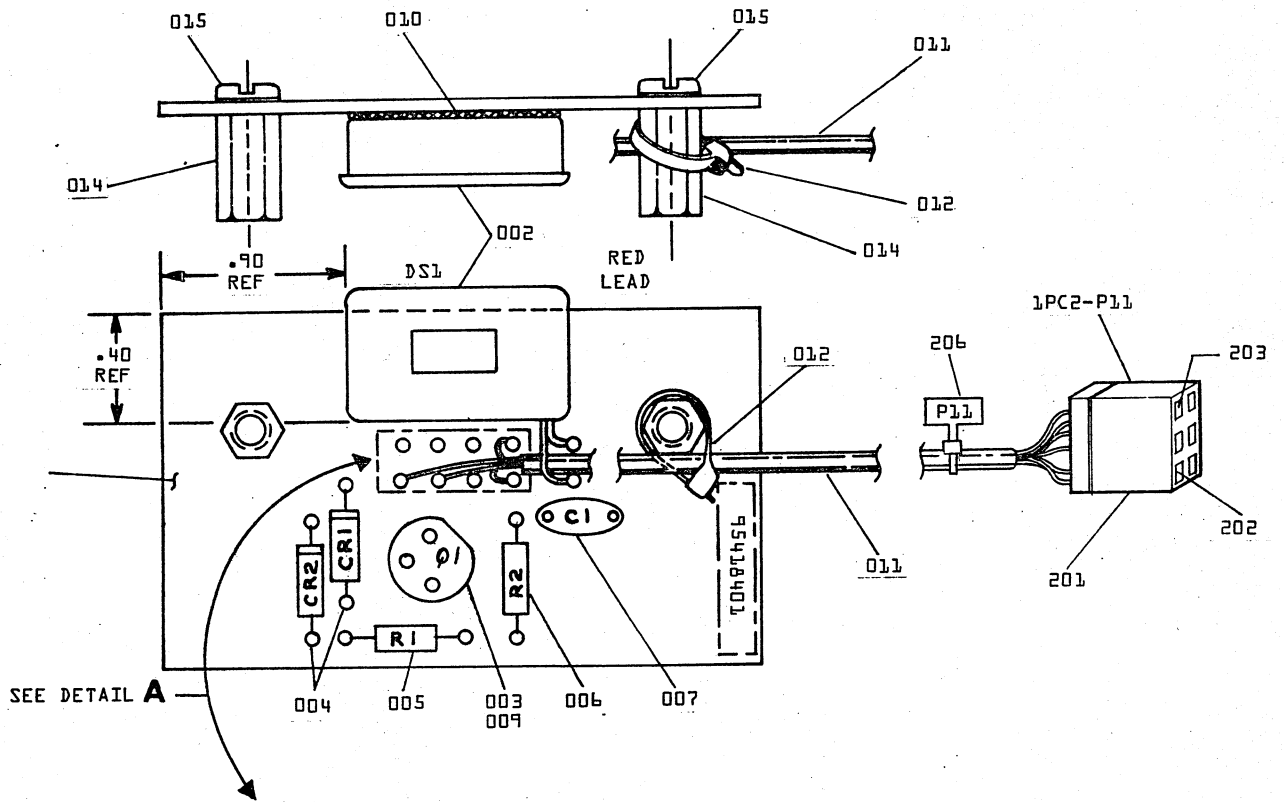
REF NUM REV TITLE
44673176 B BOTTOM FORMS FEED ASSEMBLY

FND NUM	U/M	PART NUM	DESCRIPTION	NUM REQ	FND NUM	U/M	PART NUM	DESCRIPTION	NUM REQ
001	PC	44672755	FAN ASSY 3 INCH	1	011	PC	44680084	PAPER SHROUD FRONT	1
002	PC	44672996	COVER FAN	1	012	PC	44672657	PAPER SHROUD REAR	1
003	PC	44676820	SCREEN FAN COVER	1	013	PC	76590047	SCR MCH CHS SLT M4X0.7X10	8
004	PC	44672991	STANDOFF FAN COVER	2	014	PC	76590506	WSHR EXT LK METRIC M4-4.3	8
005	PC	44672992	STANDOFF FAN COVER	2	015	PC	76590204	NUT-HEX M4X0.7	8
006	PC	76590036	SCR MCH CHS SLT M3X0.5X16	4	016	PC	44677356	ARM-SWITCH	1
007	PC	76590038	SCR MCH CHS SLT M3X0.5X20	2	017	PC	76590404	WSHR FLT METRIC M3-3.2 ID	5
008	PC	76590085	SCR MCH CHS SLT M3X0.5X40	2	018	PC	76590604	RETAINING RING METRIC 2.3	1
009	PC	76590201	NUT-HEX M3X0.5	8	019	PC	76590406	WSHR FLT METRIC M4-4.3 ID	8
010	PC	44673049	FOAM ACOUSTICAL	1	020	PC	76590464	WSHR FLT METRIC M3-3.2	6



REF NUM	REV	TITLE		
44676929	A	PAPER BASKET ASSEMBLY		
FIND NUM	U/M	PART NUM	DESCRIPTION	NUM REQ
001	PC	44673942	BASKET-PAPER	1
002	PC	44675667	RACK-BASKET ASSY	1
102	PC	44674018	RACK-BASKET SUPPORT	1
101	PC	44673426	GUIDE PAPER	1
003	FT	94808600	WRAP SPIRAL	.250
005	PC	94788104	STATIC ELIMINATORS	3
006	PC	44674152	GROUND STRIP ASSEMBLY	1
007	PC	76590047	SCR. CH. HD. M4 x 0.7 x 10	2
008	PC	76590506	WASHER EXT LOCK	2

44671993 KIT AUDIBLE ALARM ASSEMBLY

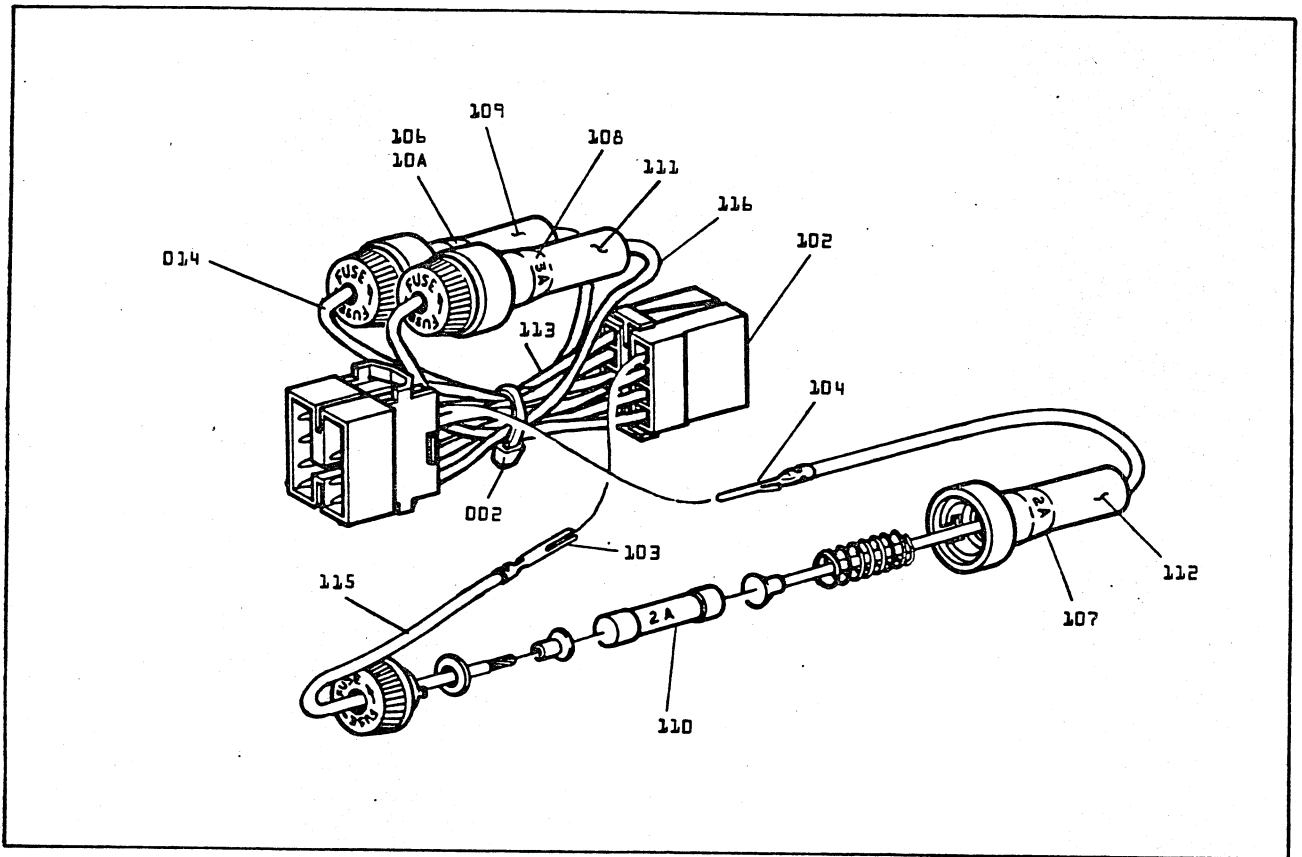


44671993 KIT AUDIBLE ALARM ASSEMBLY

REF NUM REV TITLE
 44671993 02 KIT AUDIBLE ALARM

FND NUM	U/M	PART NUM	DESCRIPTION	NUM REQ
100	PC	95418401	ASSY AUDIBLE ALARM	1
001	PC	95418300	BOARD AUDIBLE ALARM	1
002	PC	95393000	AUDIO INDICATOR	1
003	PC	50211400	TRANS 2N4249	1
004	PC	11803000	DIODE SILICON	2
005	PC	24500065	RESISTOR 1.2K 1/4W 5	1
006	PC	24500094	RESISTOR 20K 1/4W 5	1
007	PC	94740400	CAP .01 MFD, 50 V	1
009	PC	94822100	TRANSISTOR INSULATOR	1
010	FT	94844108	ADHESIVE FOAM TAPE	AR
011	1	44671992	AUDIBLE ALARM HARNESS	1
201	PC	44672012	CONN 6 POSITION	1
202	PC	95873500	CONTACT-LOCKING CUP	4
203	PC	44672015	CONNECTOR KEY	1
204	FT	91847522	WIRE TW PR 24 92+0	1.5
205	FT	24548310	WIRE 24 GA WHT	3
206	PC	94277409	TY-RAP	1
012	PC	94277400	TY-RAP	1
014	PC	76584503	PILLER HEX METRIC	2
015	PC	76590032	SCR MCH CHS SLT M3X0.5X8	2
102	PC	76590032	SCR MCH CHS SLT M3X0.5X8	2
103	PC	76590504	WSHR EXT LK METRIC M3-3.2	2
104	PC	47868600	PLATE-EQUIPMENT IDENT	1

44678327 SPECIAL VDE KIT



REF NUM REV TITLE
44678327 A SPECIAL VDE KIT

FND NUM	U/M	PART NUM	DESCRIPTION	NUM REQ
001	PC	44676639	XFMR FUSE HARN	1
101	PC	94091013	HOUSING CONNECTOR 8 POS	1
102	PC	94091012	6 PIN SOCKET	1
103	PC	93943003	CONTACT SOCKETS	8
104	PC	93942003	CONTACT PIN	1
106	PC	44673576	LABEL MDL 10A	1
107	PC	44673578	LABEL MDL 2A	1
108	PC	44673577	LABEL MDL 3A	1
109	PC	24521733	FUSE 10A	1
110	PC	95650916	FUSE MDL 2A	1
111	PC	24521739	FUSE MDL 3A	1
112	FT	94881401	FUSE HOLDER	3
113	FT	93464222	WIRE 16 AWG RED	.35
114	FT	93464444	WIRE STRAND 16 AWG YEL	.90
115	FT	93464666	WIRE STRAND 16 AWG BLU	.90
116	FT	93464777	WIRE STRAND 16 AWG VID	.90
002	PC	94277413	TY-WRAP	1
003	PC	44676644	INSTALLATION INST-VDE OPTION	REF

SECTION V

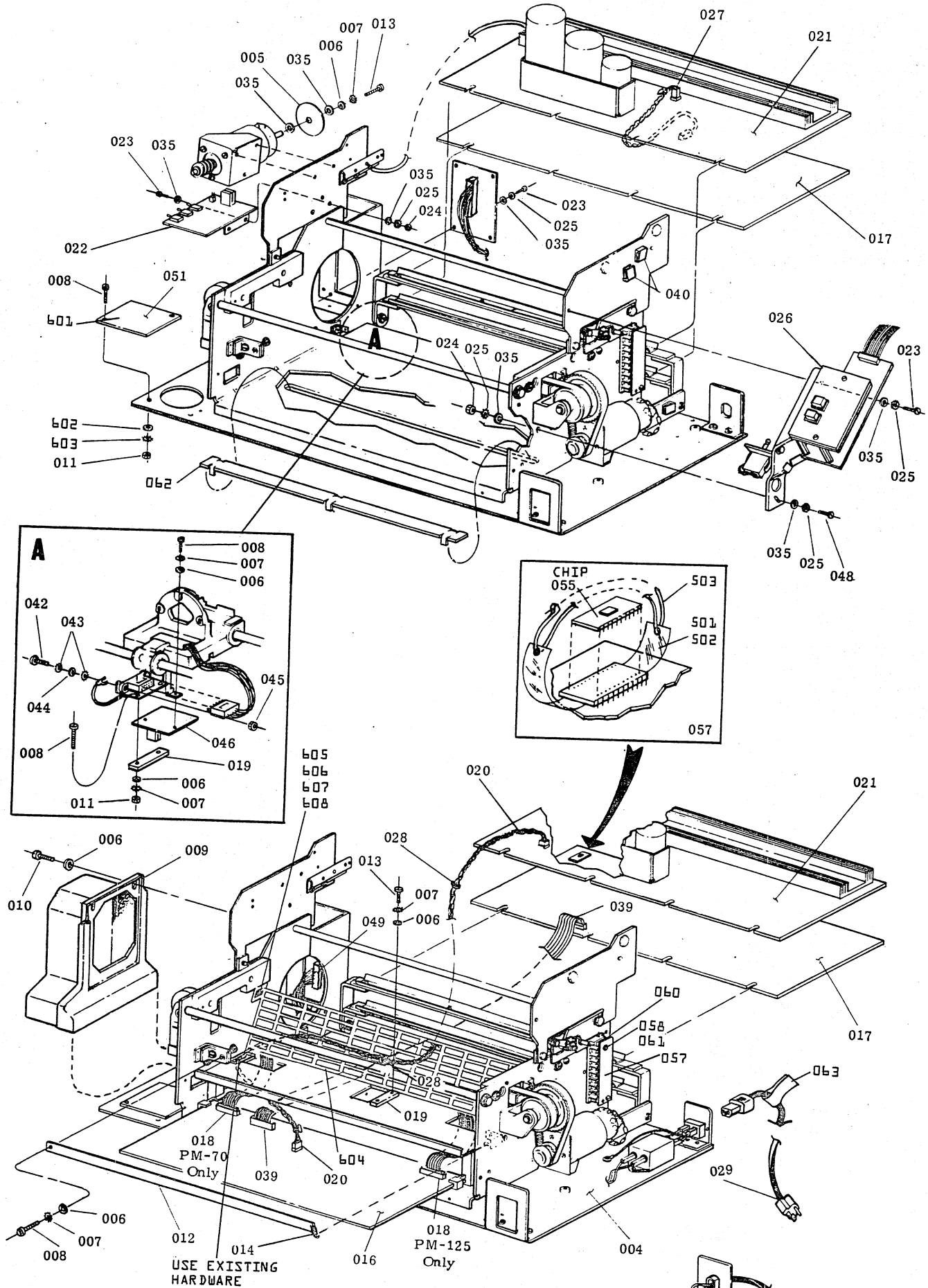
CDC UNIQUE ASSEMBLIES

INTRODUCTION

This section is designed to supplement Sections I through IV of this manual by defining the unique assembly parts lists that make-up the CDC original equipment configuration.

Section Contents

Title	Page
MATRIX PRINTER (TOP LEVEL ASSEMBLY)	5-3
SKINNING ASSEMBLY	5-15
INTERFACE CABLE ASSEMBLY	5-19
REMOTE LED DISPLAY OPTION	5-20
I/O INTERFACE BUFFERED ASSEMBLY	5-21

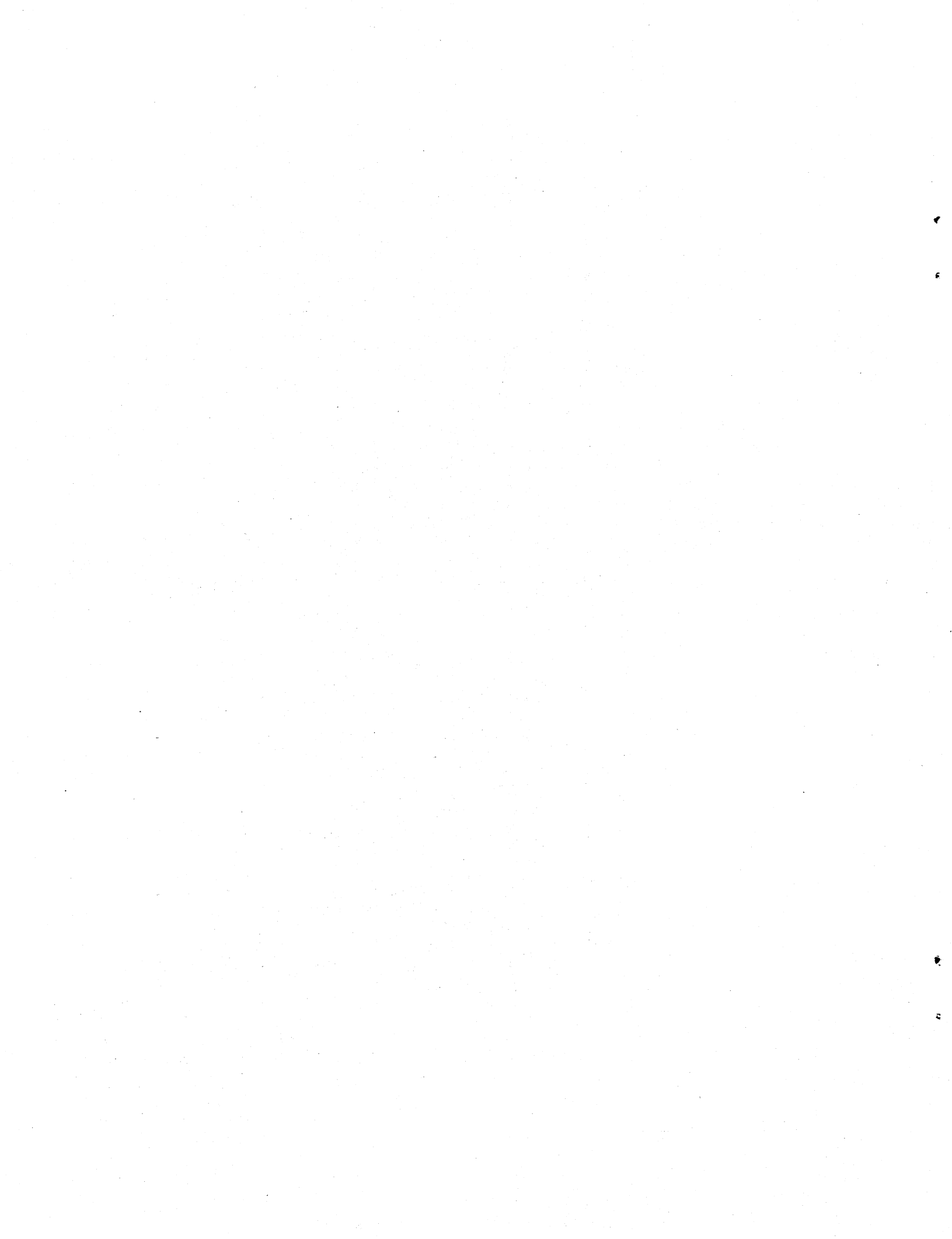


REF NUM REV TITLE
 95453000 E CZ MATRIX PRINTER PM-70

FND NUM	U/M	PART NUM	DESCRIPTION	NUM REQ	
002	PC	44672783	SKINNING MATRIX	1	
003	PC	44673323	CHECKOUT + REFERENCE DOC	1	
004	PC	44671683	CZ PRINTER ASSY	1	{See Pg. 5-5}
005	PC	44671268	CODE DISC	1	
006	PC	76590404	WSHR FLT METRIC M3-3.2 I	38	
007	PC	76590584	WSHR EXT LK METRIC M3-3.	29	
008	PC	76598032	SCR MCH CHS SLT M3X0.5X8	9	
009	PC	44678130	AIR DUCT	1	
010	PC	76598036	SCR MCH CHS SLT M3X0.5X1	2	
011	PC	76598201	NUT-HEX M3X0.5	4	
012	PC	44673276	CODE STRIP ASSY	1	
013	PC	76598033	SCR MCH CHS SLT M3X0.5X1	17	
014	PC	44675707	SPRING EXTENSION	1	
015	PC	95125306	LOCTITE	AR	
016	PC	95420208	**NEEDLE DRIVE BD ASSY	1	
017	PC	95440143	**CONTROLLER HEAD LOG	1	
018	PC	44671651	CZ FLAT CABLE-HEAD	1	
019	PC	44671588	CABLE CLAMP	4	
020	PC	44671989	CZ NEEDLE DRIVE HARNESS	1	
021	PC	95419954	**ASSY PWR SUPPLY	1	
022	PC	95432101	**VERTICAL TRANSDUCER	1	
023	PC	76598047	SCR MCH CHS SLT M4X0.7X1	7	
024	PC	76598204	NUT-HEX M4X0.7	3	
025	PC	76598586	WSHR EXT LK METRIC M4-4.	2	
026	PC	95440400	** CONTROL PANEL ASSY	1	
027	PC	44671988	CZ VERT CONTROL HARNESS	1	
028	PC	94277400	TY-RAP	6	
029	PC	76628704	CZ POWER CORD ASSY	1	SEE NOTE
030	PC	44672292	EVFU {OPTION}	1	{See Pg. 4-3}
031	PC	44676459	CZ VDE/IEC {OPTION}	1	
035	PC	76599406	WSHR FLT METRIC M4-4.3 ID	15	
036	PC	44671984	CZ OUT OF PAPER SWITCH ASSY	1	
037	PC	76598016	SCR MCH CHS SLT M2.5X0.45X5	2	
038	PC	76598043	WSHR FLT METRIC M2.6-2.8 ID	2	
039	PC	95448007	CZ CONTR TO NEEDLE DR. CABLE	1	
040	PC	95440600	PLASTIC CLIP	8	
042	PC	76598005	SCR MCH CHS SLT M2X0.4X10	2	
043	PC	76598051	WSHR EXT LK METRIC M2-2.2ID	3	
044	PC	76598041	WSHR FLT METRIC M2-2.2 ID	2	
045	PC	76598024	NUT HEX METRIC M2 X0.4	2	
046	PC	44670303	**HORIZ TRANSDUCER ASSY	1	
048	PC	76598048	SCR MCH CHS SLT M4X0.7X12	1	
049	PC	44673319	I/O INTERFACE BUFFER	1	{SEE SEPERATE INTERFACE
051	PC	44673177	COVER-FAN OPENING ASSY	1	MANUAL}
601	PC	44673043	COVER FAN OPENING	1	
602	PC	76598046	WSHR FLAT	2	
603	PC	76598054	WSHR EXT LK M3-3.2 ID	2	
604	PC	44674175	SHIELD FRONT	1	
605	PC	76598045	SCR MCH CHS SLT M4X 0.7x6	2	
606	PC	76598056	WSHR EXT LK M4-4.3 ID	2	
607	PC	76598024	NUT HEX M4X0.7	2	
608	PC	76598046	WSHR FLT M4	2	
056	PC	44676929	PAPER BASKET ASSEMBLY	1	{See Pg 4-5}
057	PC	44673910	CHIP RETAINER ASSY	1	
501	PC	44673489	STRAP-HOLD DOWN, SHORT	6	
502	PC	44673490	STRAP-HOLD DOWN, LONG	5	
503	PC	94277400	STRAP-CABLE TIE	11	
058	PC	76598046	WASHER FLT METRIC	5	
060	PC	94834902	FIBER SPACER	2	
061	PC	76598032	SCR MCH FLT SLT M3X0.5X10	4	
062	PC	44673455	COVER-BOTTOM PLATE	1	
070	PC	21987651	LABEL-FCC RFI	1	

SEE SKINNING ASSEMBLY FOR LOCATION OF PART.

NOTE: UNITS WITH NON-REMOVABLE POWER CORD USE 44671990 PWR CORD ASSY.



REF NUM REV TITLE
95453001 D CZMATRIX PRINTER PM-70

FND NUM	U/M	PART NUM	DESCRIPTION	NUM REQ
002	PC	44672783	SKINNING MATRIX	1
003	PC	44673323	CHECKOUT + REFERENCE DOC	1
004	PC	44671683	CZ PRINTER ASSY	1 {See Pg. 5-5}
005	PC	44671268	CODE DISC	1
006	PC	76590404	WSHR FLT METRIC M3-3.2 I	38
007	PC	76590504	WSHR EXT LK METRIC M3-3.	29
008	PC	76590032	SCR MCH CHS SLT M3X0.5X8	9
009	PC	44678130	AIR DUCT	1
010	PC	76590036	SCR MCH CHS SLT M3X0.5X1	2
011	PC	76598201	NUT-HEX M3X0.5	4
012	PC	44673276	CODE STRIP ASSY	1
013	PC	76590033	SCR MCH CHS SLT M3X0.5X1	17
014	PC	44675707	SPRING EXTENSION	1
015	PC	95125306	LOCTITE	AR
016	PC	95420209	**NEEDLE DRIVE BD ASSY	1
017	PC	95440143	**CONTROLLER HEAD LOG	1
018	PC	44671651	CZ FLAT CABLE HEAD	1
019	PC	44671588	CABLE CLAMP	4
020	PC	44671989	CZ NEEDLE DRIVE HARNESS	1
021	PC	95419953	**ASSY PWR SUPPLY PM70	1
022	PC	95432101	**VERTICAL TRANSDUCER	1
023	PC	76590047	SCR MCH CHS SLT M4X0.7X1	7
024	PC	76590204	NUT HEX M4X0.7	3
025	PC	76590506	WSHR EXT LK METRIC M4-4.	2
026	PC	95440400	**CONTROL PANEL ASSY	1
027	PC	44671988	CZ VERT CONTROL HARNESS	1
028	PC	94277400	TY-RAP	6
029	PC	76628704	CZ POWER CORD ASSY PM-70	1 SEE NOTE
030	PC	44672292	EVFU {OPTION}	1 {See Pg. 4-3}
031	PC	44676459	CZ VDE/IEC {OPTION}	1
035	PC	76599406	WSHR FLT METRIC M4-4.3 ID	15
036	PC	44671984	CZ OUT OF PAPER SWITCH ASSY	1
037	PC	76590016	SCR MCH CHS SLT M2.5X0.45X5	2
038	PC	76590403	WSHR FLT METRIC M2.6-2.8 ID	2
039	PC	95448007	CZ CONTR TO NEEDLE DR. CABLE	1
040	PC	95440600	PLASTIC CLIP	11
042	PC	76590005	SCR MCH CHS SLT M2X0.4X10	2
043	PC	76590501	WSHR EXT LK METRIC M2-2.2ID	2
044	PC	76590401	WSHR FLT METRIC M2-2.2 ID	2
045	PC	76590214	NUT HEX METRIC M2 X0.4	2
046	PC	44670303	**HORIZ TRANSDUCER ASSY	1
048	PC	76590048	SCR MCH CHS SLT M4X0.7X12	1
049	PC	44671520	PLUG PLATE	1
051	PC	44673177	COVER-FAN OPENING ASSY	1
601	PC	44673043	COVER FAN OPENING	1
602	PC	76590464	WSHR FLAT	2
603	PC	76590504	WSHR EXT LK M3-3.2 ID	2
604	PC	44674175	SHIELD FRONT	1
605	PC	76590045	SCR MCH CHS SLT M4X0.7X6	2
606	PC	76590506	WSHR EXT LK M4-4.3 ID	2
607	PC	76590204	NUT HEX M4X0.7	2
608	PC	76590466	WSHR FLT M4	2
056	PC	44676929	PAPER BASKET ASSEMBLY	1 {See Pg 4-5}
057	PC	44673910	CHIP RETAINER ASSY	1
501	PC	44673489	STRAP-HOLD DOWN, SHORT	6
502	PC	44673490	STRAP-HOLD DOWN, LONG	5
503	PC	94277400	STRAP-CABLE TIE	11
058	PC	76590464	WSHR FLT METRIC	5
059	PC	93106108	MARKER STRIP	1
060	PC	94834902	FIBER SPACER	2
061	PC	76590332	SCR MCH FLT SLT M3X0.5X10	4
062	PC	44673455	COVER-BOTTOM PLATE	1
070	PC	21987651	LABEL-FCC RFI	1

△ SEE SKINNING ASSEMBLY FOR
LOCATION OF PART.

NOTE: UNITS WITH NON-REMOVABLE POWER
CORD USE 44671990 PWR CORD ASSY.

REF NUM REV TITLE
 95453002 E MATRIX PRINTER PM-70

FND NUM	U/M	PART NUM	DESCRIPTION	NUM REQ
002	PC	44672783	SKINNING MATRIX	1
003	PC	44673323	CHECKOUT + REFERENCE DOC	1
004	PC	44671683	CZ PRINTER ASSY	1 {See Pg. 5-5}
005	PC	44671268	CODE DISC	1
006	PC	76590404	WSHR FLT METRIC M3-3.2 I	34
007	PC	76590504	WSHR EXT LK METRIC M3-3.	21
008	PC	76590832	SCR MCH CHS SLT M3X0.5X8	5
009	PC	44678130	AIR DUCT	1
010	PC	76590036	SCR MCH CHS SLT M3X0.5X1	2
011	PC	76590201	NUT-HEX M3X0.5	4
012	PC	44673276	CODE STRIP ASSY	1
013	PC	76590033	SCR MCH CHS SLT M3X0.5X1	17
014	PC	44675707	SPRING EXTENSION	1
015	PC	95125306	LOCTITE	AR
016	PC	95420208	**NEEDLE DRIVE BD ASSY	1
017	PC	95440143	**CONTROLLER HEAD LOG	1
018	PC	44671651	CZ FLAT CABLE-HEAD	1
019	PC	44671588	CABLE CLAMP	4
020	PC	44671989	CZ NEEDLE DRIVE HARNESS	1
021	PC	95419954	**ASSY PWR SUPPLY	1
022	PC	95432106	**VERTICAL TRANSDUCER	1
023	PC	76590047	SCR MCH CHS SLT M4X0.7X1	7
024	PC	76590204	NUT-HEX M4X0.7	3
025	PC	76590506	WSHR EXT LK METRIC M4-4.	9
026	PC	95440403	CONTROL PANEL ASSY	1
027	PC	44671988	CZ VERT CONTROL HARNESS	1
028	PC	94277400	TY-RAP	6
029	PC	76628704	CZ POWER CORD ASSY	1
030	PC	44672292	EVFU {OPTION}	1 {See Pg. 4-3}
031	PC	44676459	VDE/IEC OPTION	1
035	PC	76599406	WSHR FLT METRIC M4-4.3 ID	15
036	PC	44671984	CZ OUT OF PAPER SWITCH ASSY	1
037	PC	76590016	SCR MCH CHS SLT M2.5X0.45X5	2
038	PC	76590403	WSHR FLT METRIC M2.6-2.8 ID	2
039	PC	95448007	CZ CONTR TO NEEDLE DR. CABLE	1
040	PC	95440600	PLASTIC CLIP	8
041	PC	44671440	SPRING CATCH	1
042	PC	76590005	SCR MCH CHS SLT M2X0.4X10	2
043	PC	76590501	WSHR EXT LK METRIC M2-2.2ID	2
044	PC	76590401	WSHR FLT METRIC M2-2.2 ID	2
045	PC	76590214	NUT HEX METRIC M2 X0.4	2
046	PC	44670303	**HORIZ TRANSDUCER ASSY	1
048	PC	76590048	SCR MCH CHS SLT M4X0.7X12	1
049	PC	44671715	CONT TO I/O CABLE ASSY	1 {SEE SEPERATE INTERFACE
051	PC	44673177	COVER-FAN OPENING ASSY	1 MANUAL}
601	PC	44673043	COVER FAN OPENING	1
602	PC	76590464	WSHR FLAT	2
603	PC	76594354	WSHR EXT LK M3-3.2 ID	2
056	PC	44676929	PAPER BASKET ASSEMBLY	1 {See Pg 4-5}
057	PC	44673910	CHIP RETAINER ASSY	1
501	PC	44673489	STRAP-HOLD DOWN, SHORT	6
502	PC	44673490	STRAP-HOLD DOWN, LONG	5
503	PC	94277400	STRAP-CABLE TIE	11
058	PC	76590464	WSHR FLT METRIC	5
059	PC	93106108	MARKER STRIP	1
060	PC	94834902	FIBER SPACER	2
061	PC	76590312	SCR MCH FLT SLT M3X0.5X10	4
062	PC	44673455	COVER-BOTTOM PLATE	1
063	PC	71492457	LABEL POWER WARNING	1
070	PC	21987651	LABEL-FCC RFI	1

SEE SKINNING ASSEMBLY FOR LOCATION OF PART.

REF NUM REV TITLE
 95453003 E CZMATRIX PRINTER PM-70

FND	NUM	U/M	PART NUM	DESCRIPTION	NUM	REF
	001	PC	44675647	PRODUCT SPEC		
	002	PC	44672783	SKINNING MATRIX	1	
	003	PC	44673323	CHECKOUT + REFERENCE DOC	1	
	004	PC	44671683	CZ PRINTER ASSY	1	{See Pg. 5-5}
	005	PC	44671268	CODE DISC	1	
	006	PC	76590404	WSHR FLT METRIC M3-3.2 I	38	
	007	PC	76590504	WSHR EXT LK METRIC M3-3.	29	
	008	PC	76590032	SCR MCH CHS SLT M3X0.5X8	9	
	009	PC	44678130	AIR DUCT	1	
	010	PC	76590036	SCR MCH CHS SLT M3X0.5X1	2	
	011	PC	76598201	NUT-HEX M3X0.5	4	
	012	PC	44673276	CODE STRIP ASSY	1	
	013	PC	76590033	SCR MCH CHS SLT M3X0.5X1	17	
	014	PC	44675707	SPRING EXTENSION	1	
	015	PC	95125306	LOCTITE	AR	
	016	PC	95420210	**NEEDLE DRIVER COMP	1	
	017	PC	95440144	**CONTROLLER HEAD LOG	1	
	018	PC	44671651	CZ FLAT CABLE HEAD	1	
	019	PC	44671588	CABLE CLAMP	4	
	020	PC	44671989	CZ NEEDLE DRIVE HARNESS	1	
	021	PC	95419954	**ASSY PUR SUPPLY PM70	1	
	022	PC	95432106	**VERTICAL TRANSDUCER	1	
	023	PC	76590047	SCR MCH CHS SLT M4X0.7X1	7	
	024	PC	76590204	NUT HEX M4X0.7	3	
	025	PC	76590506	WSHR EXT LK METRIC M4-4.	2	
	026	PC	95440403	**CONTROL PANEL ASSY	1	
	027	PC	44671988	CZ VERT CONTROL HARNESS	1	
	028	PC	94277400	TY-RAP	6	
	029	PC	76628704	CZ POWER CORD ASSY PM-70	1	
	030	PC	44672292	EVFU {OPTION}	1	
	031	PC	44676459	CZ VDE/IEC {OPTION}	1	{See Pg. 4-3}
	032	PC	44672757	REMOTE LED DISPLAY {OPTION}	1	
	035	PC	76599406	WSHR FLT METRIC M4-4.3 ID	15	
	036	PC	44671984	CZ OUT OF PAPER SWITCH ASSY	1	
	037	PC	76590016	SCR MCH CHS SLT M2.5X0.45X5	2	
	038	PC	76590403	WSHR FLT METRIC M2.6-2.8 ID	2	
	039	PC	95448007	CZ CONTR TO NEEDLE DR. CABLE	1	
	040	PC	95440600	PLASTIC CLIP	11	
	041	PC	44671440	SPRING CATCH	1	
	042	PC	76590005	SCR MCH CHS SLT M2X0.4X10	2	
	043	PC	76590501	WSHR EXT LK METRIC M2-2.2ID	2	
	044	PC	76590401	WSHR FLT METRIC M2-2.2 ID	2	
	045	PC	76590214	NUT HEX METRIC M2 X0.4	2	
	046	PC	44670303	**HORIZ TRANSDUCER ASSY	1	
	048	PC	76590048	SCR MCH CHS SLT M4X0.7X12	1	
	049	PC	44673319	ASSY I/O INTERFACE BUF	1	{SEE SEPARATE INTERFACE MANUAL}
	051	PC	44673177	COVER-FAN OPENING ASSY	1	
	056	PC	44676929	PAPER BASKET ASSEMBLY	1	{See Pg 4-5}
	057	PC	44673910	CHIP RETAINER ASSY	1	
	501	PC	44673489	STRAP-HOLD DOWN, SHORT	6	
	502	PC	44673490	STRAP-HOLD DOWN, LONG	5	
	503	PC	94277400	STRAP-CABLE TIE	11	
	058	PC	76590464	WSHR FLT METRIC	5	
	059	PC	93106108	MARKER STRIP	1	
	060	PC	94834902	FIBER SPACER	2	
	061	PC	76590312	SCR MCH FLT SLT M3X0.5X10	4	
	062	PC	44673455	COVER-BOTTOM PLATE	1	
	063	PC	71492457	LABEL POWER WARNING	1	
	064	PC	44677358	JUMPER INSTA INSTR	1	
	070	PC	21987651	-LABEL-FCC RFI	1	



SEE SKINNING ASSEMBLY FOR LOCATION OF PART.

REF NUM	REV	TITLE		
95453004	E	CZMATRIX PRINTER PM-70		
FND NUM	U/M	PART NUM	DESCRIPTION	NUM REQ
002	PC	44676981	SKINNING MATRIX	1
003	PC	44673323	CHECKOUT + REFERENCE DOC	1
004	PC	44671683	CZ PRINTER ASSY	1 (See Pg. 5-5)
005	PC	44671268	CODE DISC	1
006	PC	76590404	WSHR FLT METRIC M3-3.2 I	38
007	PC	76590504	WSHR EXT LK METRIC M3-3.	29
008	PC	76590032	SCR MCH CHS SLT M3X0.5X8	9
009	PC	44678130	AIR DUCT	1
010	PC	76590036	SCR MCH CHS SLT M3X0.5X1	2
011	PC	76598201	NUT-HEX M3X0.5	4
012	PC	44673276	CODE STRIP ASSY	1
013	PC	76590033	SCR MCH CHS SLT M3X0.5X1	17
014	PC	44675707	SPRING EXTENSION	1
015	PC	95125306	LOCTITE	AR
016	PC	95420210	**NEEDLE DRIVE BD ASSY	1
017	PC	95440144	**CONTROLLER HEAD LOG	1
018	PC	44671651	CZ FLAT CABLE HEAD	1
019	PC	44671588	CABLE CLAMP	4
020	PC	44671989	CZ NEEDLE DRIVE HARNESS	1
021	PC	95419954	**ASSY PWR SUPPLY PM70	1
022	PC	95432106	**VERTICAL TRANSDUCER	1
023	PC	76590047	SCR MCH CHS SLT M4X0.7X1	7
024	PC	76590204	NUT HEX M4X0.7	3
025	PC	76590506	WSHR EXT LK METRIC M4-4.	2
026	PC	95440403	**CONTROL PANEL ASSY	1
027	PC	44671988	CZ VERT CONTROL HARNESS	1
028	PC	94277400	TY-RAP	6
029	PC	76628704	CZ POWER CORD ASSY PM-70	1
030	PC	44672292	EVFU (OPTION)	1 (See Pg. 4-3)
031	PC	44676459	CZ VDE/IEC (OPTION)	1
035	PC	76599406	WSHR FLT METRIC M4-4.3 ID	15
036	PC	44671984	CZ OUT OF PAPER SWITCH ASSY	1
037	PC	76590016	SCR MCH CHS SLT M2.5X0.45X5	2
038	PC	76590403	WSHR FLT METRIC M2.6-2.8 ID	2
039	PC	95448007	CZ CONTR TO NEEDLE DR. CABLE	1
040	PC	95440600	PLASTIC CLIP	11
041	PC	44671440	SPRING CATCH	1
042	PC	76590005	SCR MCH CHS SLT M2X0.4X10	2
043	PC	76590501	WSHR EXT LK METRIC M2-2.2ID	2
044	PC	76590401	WSHR FLT METRIC M2-2.2 ID	2
045	PC	76590214	NUT HEX METRIC M2 X0.4	2
046	PC	44670303	**HORIZ TRANSDUCER ASSY	1
048	PC	76590048	SCR MCH CHS SLT M4X0.7X12	1
049	PC	44675595	CZ I/O CABLE ASSY	1
051	PC	44673177	COVER-FAN OPENING ASSY	1
056	PC	44676929	PAPER BASKET ASSEMBLY	1 (See Pg 4-5)
057	PC	44673910	CHIP RETAINER ASSY	1
501	PC	44673489	STRAP-HOLD DOWN, SHORT	6
502	PC	44673490	STRAP-HOLD DOWN, LONG	5
503	PC	94277400	STRAP-CABLE TIE	11
058	PC	76590464	WSHR FLT METRIC	5
059	PC	93106108	MARKER STRIP	1
060	PC	94834902	FIBER SPACER	2
061	PC	76590312	SCR MCH FLT SLT M3X0.5X10	4
062	PC	44673455	COVER-BOTTOM PLATE	1
063	PC	71492457	LABEL POWER WARNING	1
070	PC	21987651	LABEL-FCC RFI	1



SEE SKINNING ASSEMBLY FOR
LOCATION OF PART.

REF NUM REV TITLE
95453005 M CZMATRIX PRINTER PM-70

FND NUM	U/M	PART NUM	DESCRIPTION	NUM REQ
002	PC	44676485	SKINNING MATRIX	1
003	PC	44673323	CHECKOUT + REFERENCE DOC	1
004	PC	44671683	CZ PRINTER ASSY	1 {See Pg. 5-5}
005	PC	44671268	CODE DISC	1
006	PC	76590404	WSHR FLT METRIC M3-3.2 I	38
007	PC	76590504	WSHR EXT LK METRIC M3-3.	29
008	PC	76590032	SCR MCH CHS SLT M3X0.5X8	9
009	PC	44678130	AIR DUCT	1
010	PC	76590036	SCR MCH CHS SLT M3X0.5X1	2
011	PC	76598201	NUT-HEX M3X0.5	4
012	PC	44673276	CODE STRIP ASSY	1
013	PC	76590033	SCR MCH CHS SLT M3X0.5X1	17
014	PC	44675707	SPRING EXTENSION	1
015	PC	95125306	LOCTITE	AR
016	PC	95420210	**NEEDLE DRIVE BD ASSY	1
017	PC	95440144	**CONTROLLER HEAD LOG	1
018	PC	44671651	CZ FLAT CABLE HEAD	1
019	PC	44671588	CABLE CLAMP	4
020	PC	44671989	CZ NEEDLE DRIVE HARNESS	1
021	PC	95419954	**ASSY PWR SUPPLY PM70	1
022	PC	95432106	**VERTICAL TRANSDUCER	1
023	PC	76590047	SCR MCH CHS SLT M4X0.7X1	7
024	PC	76590204	NUT HEX M4X0.7	3
025	PC	76590506	WSHR EXT LK METRIC M4-4.	2
026	PC	95440403	**CONTROL PANEL ASSY	1
027	PC	44671988	CZ VERT CONTROL HARNESS	1
028	PC	94277400	TY-RAP	6
029	PC	76628704	CZ POWER CORD ASSY PM-70	1
030	PC	44672292	EVFU (OPTION)	1 {See Pg. 4-3}
031	PC	44672623	CZ VDE/IEC (OPTION)	1
035	PC	76599406	WSHR FLT METRIC M4-4.3 ID	15
036	PC	44671984	CZ OUT OF PAPER SWITCH ASSY	1
037	PC	76590016	SCR MCH CHS SLT M2.5X0.45X5	2
038	PC	76590403	WSHR FLT METRIC M2.6-2.8 ID	2
039	PC	95448007	CZ CONTR TO NEEDLE DR. CABLE	1
040	PC	95440600	PLASTIC CLIP	11
041	PC	44671440	SPRING CATCH	1
042	PC	76590005	SCR MCH CHS SLT M2X0.4X10	2
043	PC	76590501	WSHR EXT LK METRIC M2-2.2ID	2
044	PC	76590401	WSHR FLT METRIC M2-2.2 ID	2
045	PC	76590214	NUT HEX METRIC M2 X0.4	2
046	PC	44670303	**HORIZ TRANSDUCER ASSY	1
048	PC	76590048	SCR MCH CHS SLT M4X0.7X12	1
049	PC	44675595	CZ I/O CABLE ASSY	1
051	PC	44673177	COVER-FAN OPENING ASSY	1
056	PC	44676929	PAPER BASKET ASSEMBLY	1 {See Pg 4-5}
057	PC	44673910	CHIP RETAINER ASSY	1
501	PC	44673489	STRAP-HOLD DOWN, SHORT	6
502	PC	44673490	STRAP-HOLD DOWN, LONG	5
503	PC	94277400	STRAP-CABLE TIE	11
058	PC	76590464	WSHR FLT METRIC	5
059	PC	93106108	MARKER STRIP	1
060	PC	94834902	FIBER SPACER	2
061	PC	76590312	SCR MCH FLT SLT M3X0.5X10	4
062	PC	44673455	COVER-BOTTOM PLATE	1
070	PC	21987651	LABEL-FCC RFI	1



SEE SKINNING ASSEMBLY FOR
LOCATION OF PART.

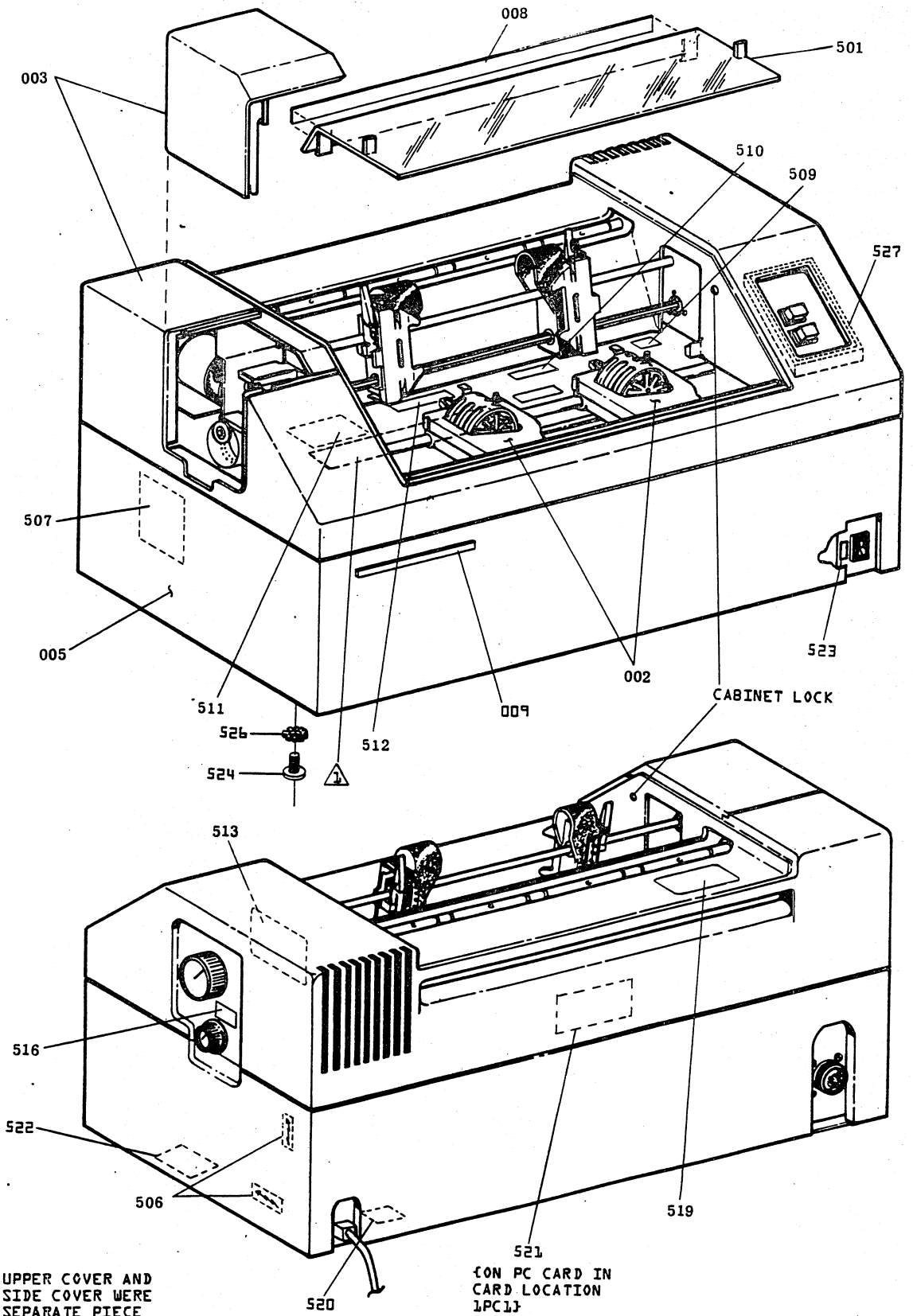
REF NUM REV TITLE
 95453006 B CZ MATRIX PRINTER PM-70

FND NUM	U/M	PART NUM	DESCRIPTION	NUM REQ	
002	PC	44672783	SKINNING MATRIX	1	
003	PC	44673323	CHECKOUT * REFERENCE DOC	1	
004	PC	44671683	CZ PRINTER ASSY	1	{See Pg. 5-5}
005	PC	44671268	CODE DISC	1	
006	PC	76590404	WSHR FLT METRIC M3-3.2 I	38	
007	PC	76590504	WSHR EXT LK METRIC M3-3.	29	
008	PC	76590832	SCR MCH CHS SLT M3X0.5X8	9	
009	PC	44678130	AIR DUCT	1	
010	PC	76590836	SCR MCH CHS SLT M3X0.5X1	2	
011	PC	76590201	NUT-HEX M3X0.5	4	
012	PC	44673276	CODE STRIP ASSY	1	
013	PC	76590833	SCR MCH CHS SLT M3X0.5X1	17	
014	PC	44675707	SPRING EXTENSION	1	
015	PC	95125306	LOCTITE	AR	
016	PC	95420208	**NEEDLE DRIVE BD ASSY	1	
017	PC	95440143	**CONTROLLER HEAD LOG	1	
018	PC	44671651	CZ FLAT CABLE-HEAD	1	
019	PC	44671588	CABLE CLAMP	4	
020	PC	44671989	CZ NEEDLE DRIVE HARNESS	1	
021	PC	95419954	**ASSY PWR SUPPLY	1	
022	PC	95432101	**VERTICAL TRANSDUCER	1	
023	PC	76590847	SCR MCH CHS SLT M4X0.7X1	7	
024	PC	76590204	NUT-HEX M4X0.7	3	
025	PC	76590506	WSHR EXT LK METRIC M4-4.	2	
026	PC	95440400	** CONTROL PANEL ASSY	1	
027	PC	44671988	CZ VERT CONTROL HARNESS	1	
028	PC	94277488	TY-RAP	6	
029	PC	76628704	CZ POWER CORD ASSY	1	SEE NOTE
030	PC	44672292	EVFU {OPTION}	1	{See Pg. 4-3}
031	PC	44676459	CZ VDE/IEC {OPTION}	1	
035	PC	76599406	WSHR FLT METRIC M4-4.3 ID	15	
036	PC	44671984	CZ OUT OF PAPER SWITCH ASSY	1	
037	PC	76590016	SCR MCH CHS SLT M2.5X0.45X5	2	
038	PC	76590403	WSHR FLT METRIC M2.6-2.8 ID	2	
039	PC	95448007	CZ CONTR TO NEEDLE DR. CABLE	1	
040	PC	95440600	PLASTIC CLIP	11	
042	PC	76590005	SCR MCH CHS SLT M2X0.4X10	2	
043	PC	76590501	WSHR EXT LK METRIC M2-2.2ID	4	
044	PC	76590401	WSHR FLT METRIC M2-2.2 ID	2	
045	PC	76590214	NUT HEX METRIC M2 X0.4	2	
046	PC	44670303	**HORIZ TRANSDUCER ASSY	1	
048	PC	76590048	SCR MCH CHS SLT M4X0.7X12	1	
049	PC	44673319	I/O INTERFACE BUFFER	1	{SEE SEPERATE INTERFACE
051	PC	44673177	COVER-FAN OPENING ASSY	1	MANUAL}
601	PC	44673043	COVER FAN OPENING	1	
602	PC	76590464	WSHR FLAT	2	
603	PC	76590504	WSHR EXT LK M3-3.2 ID	2	
604	PC	44674175	SHIELD FRONT	1	
605	PC	76590045	SCR MCH CHS SLT M4X 0.7x6	2	
606	PC	76590506	WSHR EXT LK M4-4.3 ID	2	
607	PC	76590204	NUT HEX M4X0.7	2	
608	PC	76590466	WSHR FLT M4	2	
057	PC	44673910	CHIP RETAINER ASSY	1	
501	PC	44673489	STRAP-HOLD DOWN, SHORT	6	
502	PC	44673490	STRAP-HOLD DOWN, LONG	5	
503	PC	94277400	STRAP-CABLE TIE	11	
058	PC	76590464	WASHER FLT METRIC	5	
060	PC	94834902	FIBER SPACER	2	
061	PC	76590312	SCR MCH FLT SLT M3X0.5X10	4	
062	PC	44673455	COVER-BOTTOM PLATE	1	
070	PC	21987651	LABEL-FCC RFI	1	



SEE SKINNING ASSEMBLY FOR
 LOCATION OF PART.

44672783 SKINNING; MATRIX PM70
 44676495 SKINNING MATRIX PM70
 44676981 SKINNING MATRIX PM70



NOTE: UPPER COVER AND
 SIDE COVER WERE
 SEPARATE PIECE
 PARTS ON EARLY UNITS.

⚠ SEE F/N 70 OF TLA ASSEMBLY
 FOR PART NUMBER.

521
 (ON PC CARD IN
 CARD LOCATION
 [PCI])

44672783 SKINNING MATRIX PM70

REF NUM REV TITLE
44672783 8 SKINNING MATRIX PH-70

FND NUM	U/M	PART NUM	DESCRIPTION	NUM REQ
001	PC	44672308	CZ SKINNING COMMON	1
501	PC	95446800	COVER FRONT	1
505	PC	94224667	LABEL	3
506	PC	91890506	LABEL-HI TENSION	4
507	PC	44674171	FCO FORM	1
508	PC	24547401	NFPA LABEL	1
509	PC	44932200	LABEL-UL LISTED	1
510	PC	59594500	LABEL CSA RE-EXAMINATION	1
511	PC	47868600	PLATE-EQUIPMENT IDENT. M	1
512	PC	47869600	PLATE-CABINET IDENT. SMALL	1
513	PC	44676930	LABEL-TRANSFORMER	1
514	PC	76590082	SCR CHS HD SCT M6 X 1 X25	4
515	PC	76590408	WSHR FLT METRIC M6-6.4	6
516	PC	44673149	LABEL-PLATEN ADJ	1
517	PC	44672272	FORM-FIELD CHANGE ORDER	1
518	PC	44685978	LABEL POWER I.D.	1
519	PC	44674638	LABEL FORMS FEED	1
520	PC	76679804	LABEL-ADH. BACK	1
521	PC	44673522	LABEL-MULTI LANG	1
522	PC	44673523	LABEL-DANGER	1
523	PC	44676931	LABEL-CIRCUIT BREAKER	1
524	PC	76590078	SCR MCH SLT M6X1X16	2
526	PC	76590508	WSH EXT LK M6-6.4 ID	2
527	PC	76594718	FOAM ACOUSTICAL	1
002	PC	44671690	CASSETTE WITH RIBBON PM-70	1
003	PC	59801190	UPPER & SIDE COVER ASSY	1
005	PC	95447182	CABINET-LOWER-BLACK	1
008	PC	44673268	SCALE LINE FINDER PM 70	1
009	PC	15010307	LABEL LOGO PM70	1

44676495 SKINNING MATRIX PM70

REF NUM	REV	TITLE
44676495	B	SKINNING MATRIX PH-70

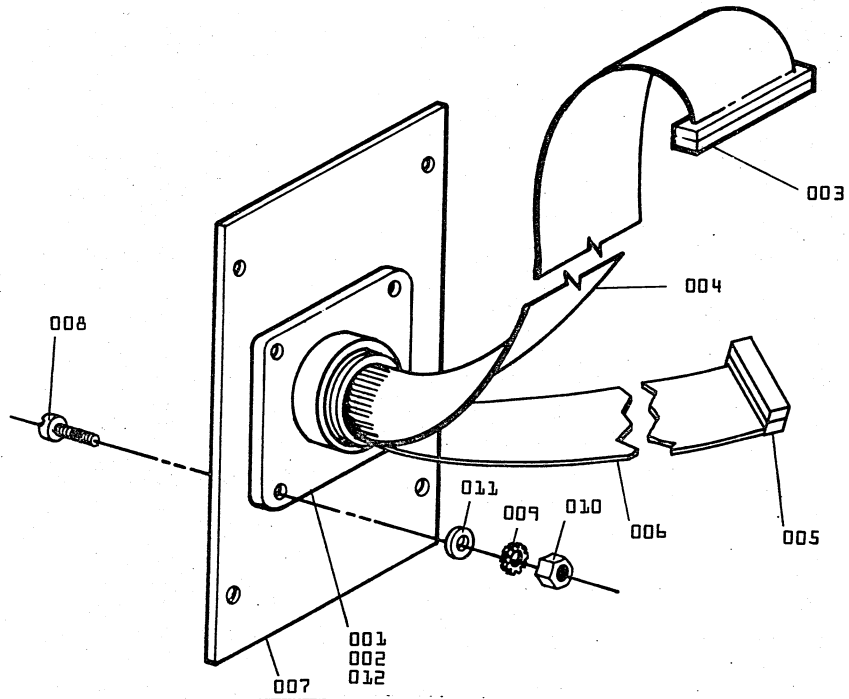
FND NUM	U/M	PART NUM	DESCRIPTION	NUM REQ
001	PC	44672308	CZ SKINNING COMMON	1
501	PC	95446800	COVER FRONT	1
505	PC	94224667	LABEL	3
506	PC	91890506	LABEL-HI TENSION	4
507	PC	44674171	FCO FORM	1
508	PC	24547401	NFPA LABEL	1
509	PC	44932200	LABEL-UL LISTED	1
510	PC	59594500	LABEL CSA RE-EXAMINATION	1
511	PC	47868600	PLATE-EQUIPMENT IDENT. M	1
512	PC	47869600	PLATE-CABINET IDENT. SMALL	1
513	PC	44676930	LABEL-TRANSFORMER	1
514	PC	76590082	SCR CHS HD SCT Mb X 1 X25	4
515	PC	76590408	WSHR FLT METRIC Mb-b.4	6
516	PC	44673149	LABEL-PLATEN ADJ	1
517	PC	44672272	FORM-FIELD CHANGE ORDER	1
518	PC	44685978	LABEL POWER I.D.	1
519	PC	44674638	LABEL FORMS FEED	1
520	PC	76679804	LABEL-ADH. BACK	1
521	PC	44673522	LABEL-MULTI LANG	1
522	PC	44673523	LABEL-DANGER	1
523	PC	44676931	LABEL-CIRCUIT BREAKER	1
524	PC	76590078	SCR MCH SLT MbX1X1b	2
526	PC	76590508	WSH EXT LK Mb-b.4 ID	2
527	PC	76594718	FOAM ACOUSTICAL	1
002	PC	44671690	CASSETTE WITH RIBBON PM-70	1
003	PC	59801190	UPPER & SIDE COVER ASSY	1
005	PC	95447190	CABINET-LOWER GOLD	1
008	PC	44673268	SCALE LINE FINDER PM 70	1
009	PC	15010307	LABEL LOGO PM70	1

44676981 SKINNING MATRIX PM70

REF NUM REV TITLE
 44676981 8 SKINNING MATRIX PH-70

FND NUM	U/M	PART NUM	DESCRIPTION	NUM REQ
001	PC	44672308	CZ SKINNING COMMON	1
501	PC	95446800	COVER FRONT	1
505	PC	94224667	LABEL	3
506	PC	91890506	LABEL-HI TENSION	4
507	PC	44674171	FCO FORM	1
508	PC	24547401	NFPA LABEL	1
509	PC	44932200	LABEL-UL LISTED	1
510	PC	59594500	LABEL CSA RE-EXAMINATION	1
511	PC	47868600	PLATE-EQUIPMENT IDENT. M	1
512	PC	47869600	PLATE-CABINET IDENT. SMALL	1
513	PC	44672154	LABEL-TRANSFORMER	1
514	PC	76590082	SCR CHS HD SCT M6 X 1 X 25	4
515	PC	76590408	WSHR FLT METRIC M6-6.4	6
516	PC	44673149	LABEL-PLATEN ADJ	1
517	PC	44672272	FORM-FIELD CHANGE ORDER	1
518	PC	44685978	LABEL POWER I.D.	1
519	PC	44674638	LABEL FORMS FEED	1
520	PC	76679804	LABEL-ADH. BACK	1
521	PC	44673522	LABEL-MULTI LANG	1
522	PC	44673523	LABEL-DANGER	1
523	PC	44671943	LABEL-CIRCUIT BREAKER	1
524	PC	76590078	SCR MCH SLT M6X1X16	2
526	PC	76590508	WSH EXT LK M6-6.4 ID	2
527	PC	76594718	FOAM ACOUSTICAL	1
002	PC	44671690	CASSETTE WITH RIBBON PM-70	1
003	PC	59801105	UPPER & SIDE COVER ASSY	1
005	PC	95447105	CABINET LOWER SEA FOAM WHITE	1
008	PC	44673268	SCALE LINE FINDER PM 70	1
009	PC	15010307	LABEL LOGO PM70	1

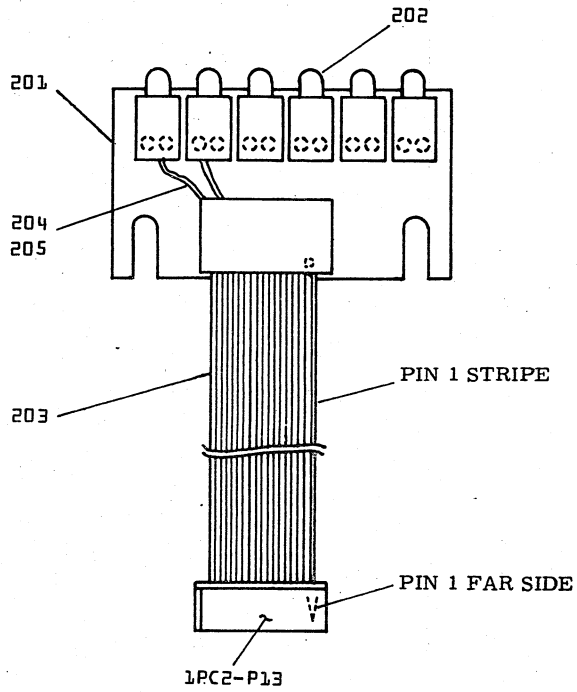
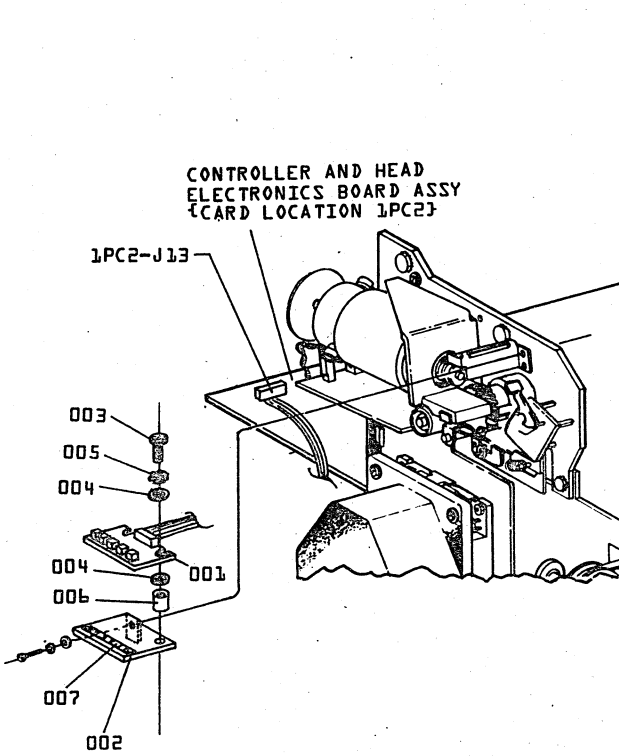
44675595 INTERFACE CABLE ASSEMBLY



REF NUM REV TITLE
 44675595 01 INTERFACE CABLE ASSEMBLY

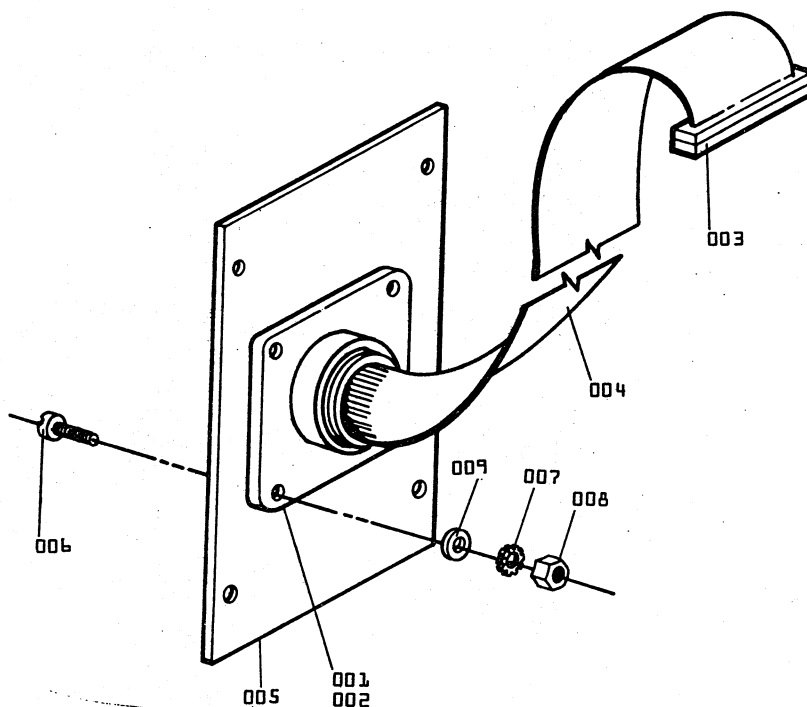
FND NUM	U/M	PART NUM	DESCRIPTION	NUM REQ
001	PC	59569302	CON CIRCULAR PLASTIC {CPC}	1
002	PC	93644003	CONTACT PINS	37
003	PC	95437503	SOCKET FLAT CABLE 34 PINS	1
004	FT	44670287	FLAT CABLE 34 COND	1.3
005	PC	95437500	SOCKET FLAT CABLE 10 PIN	1
006	FT	44670284	FLAT CABLE	2
007	PC	76624200	PLATE I/O CONNECTOR	1
008	PC	76590033	SCR MCH CHS SLT M3X 0.5X10	4
009	PC	76590504	WSHR EXT LK METRIC M3-3.2 ID	4
010	PC	76590201	NUT HEX M3X0.5	4
011	PC	76590404	WSHR FLT METRIC M3-3.2 ID	4
012	FT	24534704	SLEEVE	.1

44672757 REMOTE LED DISPLAY OPTION



REF NUM	REV	TITLE		
44672757	02	REMOTE LED DISPLAY OPTION		
FND NUM	U/M	PART NUM	DESCRIPTION	NUM REQ
001	PC	44672119	ASSY ERROR INDICATOR	1
201	PC	44672118	BD-ERROR INDICATOR	1
202	PC	44670961	DIODE LED INDICATOR	6
203	PC	44673194	ASSY CABLE LED	1
204	FT	52629909	WIRE SOLID 30 AWG WHT	.2
205	OZ	95343000	ADHESIVE	AR
002	PC	44674639	INDICATOR MTG BRKT	1
003	PC	76590032	SCR MCH CHS SLT M3X0.5X8	2
004	PC	76590404	WSHR FLT METRIC M3-3.2 ID	4
005	PC	76590504	WSHR EXT LK METRIC M3-3.2 ID	2
006	PC	94834900	SPACER	2
007	PC	44674738	LABEL	1

44671715 CONTROLLER TO INTERFACE CABLE ASSEMBLY



REF NUM REV TITLE
 44671715 02 CONTROLLER TO INTERFACE CABLE ASSEMBLY

FND NUM	U/M	PART NUM	DESCRIPTION	NUM REQ
001	PC	59569302	CONN CIRCULAR PLASTIC {CPC}	1
002	PC	93644003	CONTACT PINS	37
003	PC	95437503	SOCKET FLAT CABLE 34 PINS	1
004	FT	44670287	FLAT CABLE 34 COND	1.3
005	PC	76624200	PLATE I/O CONNECTOR	1
006	PC	76590033	SCR MCH CHS SLT M3X0.5X10	4
007	PC	76590504	WSHR EXT LK METRIC M3-3.2 ID	4
008	PC	76590201	NUT HEX M3X0.5	4
009	PC	76590404	WSHR FLT METRIC M3-3.2 ID	4

CORPORATE HEADQUARTERS, P.O. BOX 0, MINNEAPOLIS, MINN. 55440
SALES OFFICES AND SERVICE CENTERS IN MAJOR CITIES THROUGHOUT THE WORLD

LITHO IN U.



CONTROL DATA CORPORATION